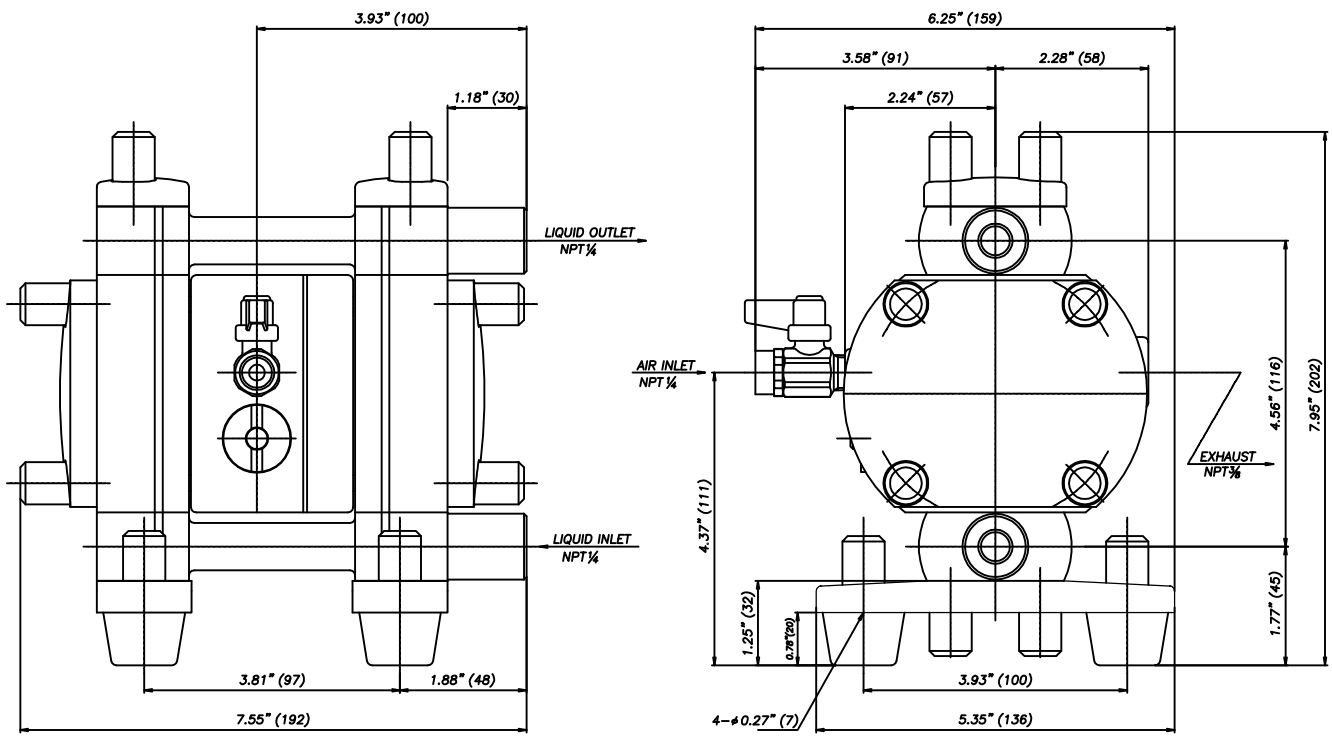



Materials of Construction	
PUMP BODY MATERIAL	PURE PTFE
DIAPHRAGM MATERIAL	T=PTFE

REVISIONS			
REV	DESCRIPTION	DATE	APPROVED
A	RELEASED	2/22/2017	CJC

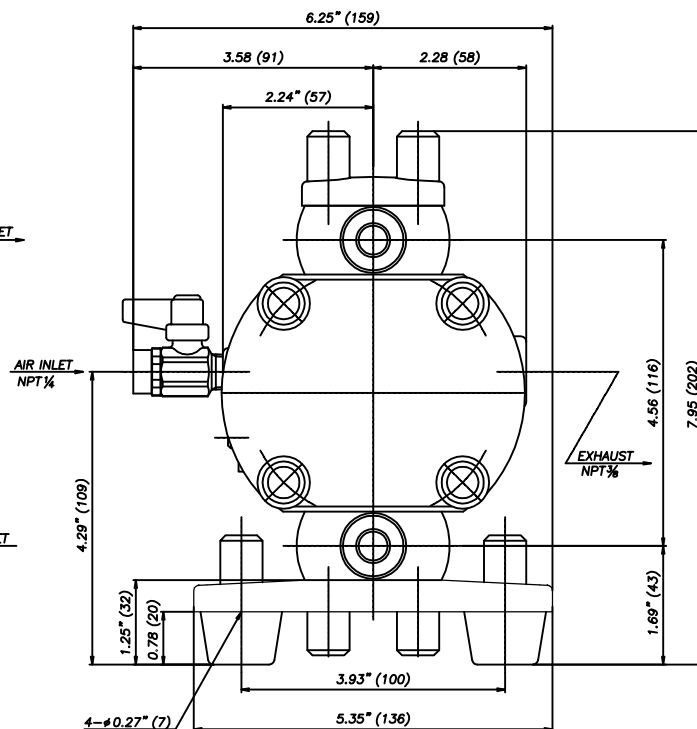
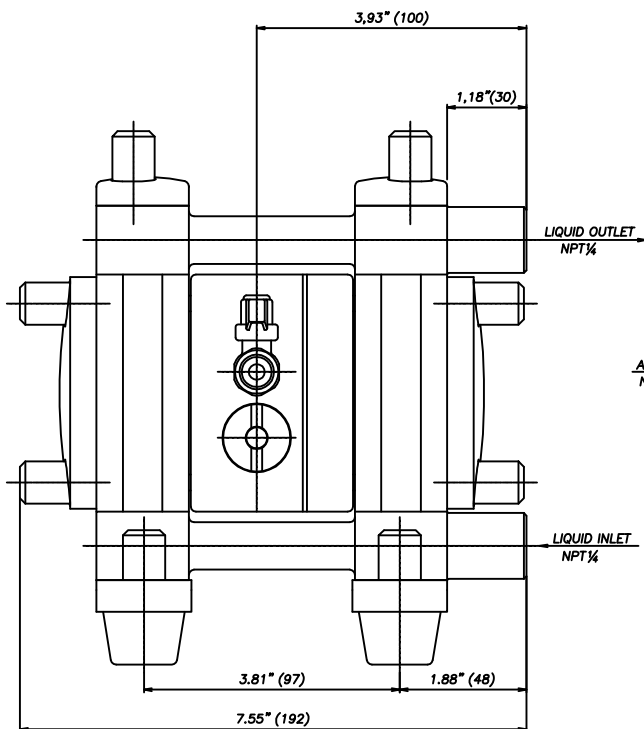


NOTES:  
1. SOME FEATURES MAY VARY SLIGHTLY.


<b>PROPRIETARY</b> THIS DRAWING CONTAINS CONFIDENTIAL INFORMATION PROPRIETARY TO IWAKI AMERICA. IT MUST NOT BE REPRODUCED OR FORWARDED TO OTHERS OR USED IN ANY OTHER WAY, IN WHOLE OR IN PART, UNLESS AUTHORIZED IN WRITING BY IWAKI AMERICA.		<b>TOLERANCES</b> DIMENSIONS IN INCHES UNL UNLESS OTHERWISE NOTED X = .050 .XX = .010 .XXX = .00		 www.IwakiAir.com		5 Boynton Rd. Hopping Brook Park Holliston, MA 01746 (508) 429-1440	
MATERIAL		SEE CHART		DEBURR AND BREAK ALL SHARP EDGES			
BY	DATE	SIZE	DWG NO.	DESCRIPTION	REV		
JP	2/22/2017	B	TC-X00147	TC-X030TTD(NPT)	A		
APPROVED	DATE	SCALE:		THIRD ANGLE PROJECTION	SHEET:	1 OF 1	
CJC	2/22/2017	FULL					

Materials of Construction	
PUMP BODY MATERIAL	PURE PTFE
DIAPHRAGM MATERIAL	T=PTFE

REVISIONS			
REV	DESCRIPTION	DATE	APPROVED
A	RELEASED	2/22/2017	CJC

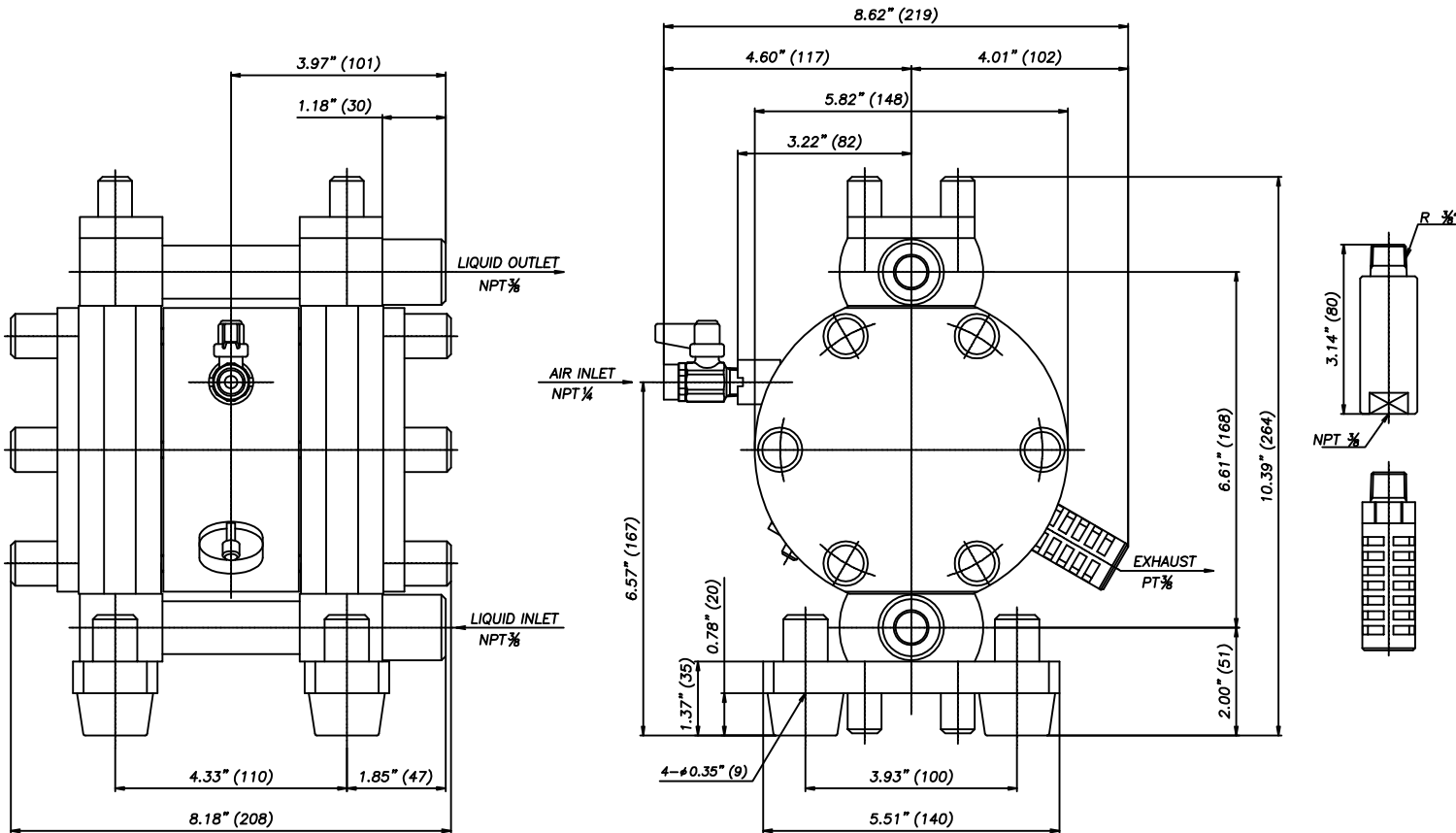


NOTES:  
1. SOME FEATURES MAY VARY SLIGHTLY.


<p><b>PROPRIETARY</b> THIS DRAWING CONTAINS CONFIDENTIAL INFORMATION PROPRIETARY TO IWAKI AMERICA. IT MUST NOT BE REPRODUCED OR FORWARDED TO OTHERS OR USED IN ANY OTHER WAY, IN WHOLE OR IN PART, UNLESS AUTHORIZED IN WRITING BY IWAKI AMERICA.</p>		<p><b>TOLERANCES</b> DIMENSIONS IN INCHES UNLESS OTHERWISE NOTED X = .050 .XX = .010 .XXX = .00</p>		 <p>5 Boynton Rd. Hopping Brook Park Holliston, MA 01746 (508) 429-1440</p>	
<p>MATERIAL SEE CHART</p>		<p>DEBURR AND BREAK ALL SHARP EDGES</p>		<p>www.IwakiAir.com</p>	
<p>BY JP</p>	<p>DATE 2/22/2017</p>	<p>SIZE B</p>	<p>DWG NO. TC-X00148</p>	<p>DESCRIPTION TC-X050TTD(NPT)</p>	<p>REV A</p>
<p>APPROVED CJC</p>	<p>DATE 2/22/2017</p>	<p>SCALE: FULL</p>	<p>THIRD ANGLE PROJECTION</p>	<p>SHEET: 1 OF 1</p>	

Materials of Construction	
PUMP BODY MATERIAL	PURE PTFE
DIAPHRAGM MATERIAL	T=PTFE

REVISIONS			
REV	DESCRIPTION	DATE	APPROVED
A	RELEASED	2/23/2017	CJC

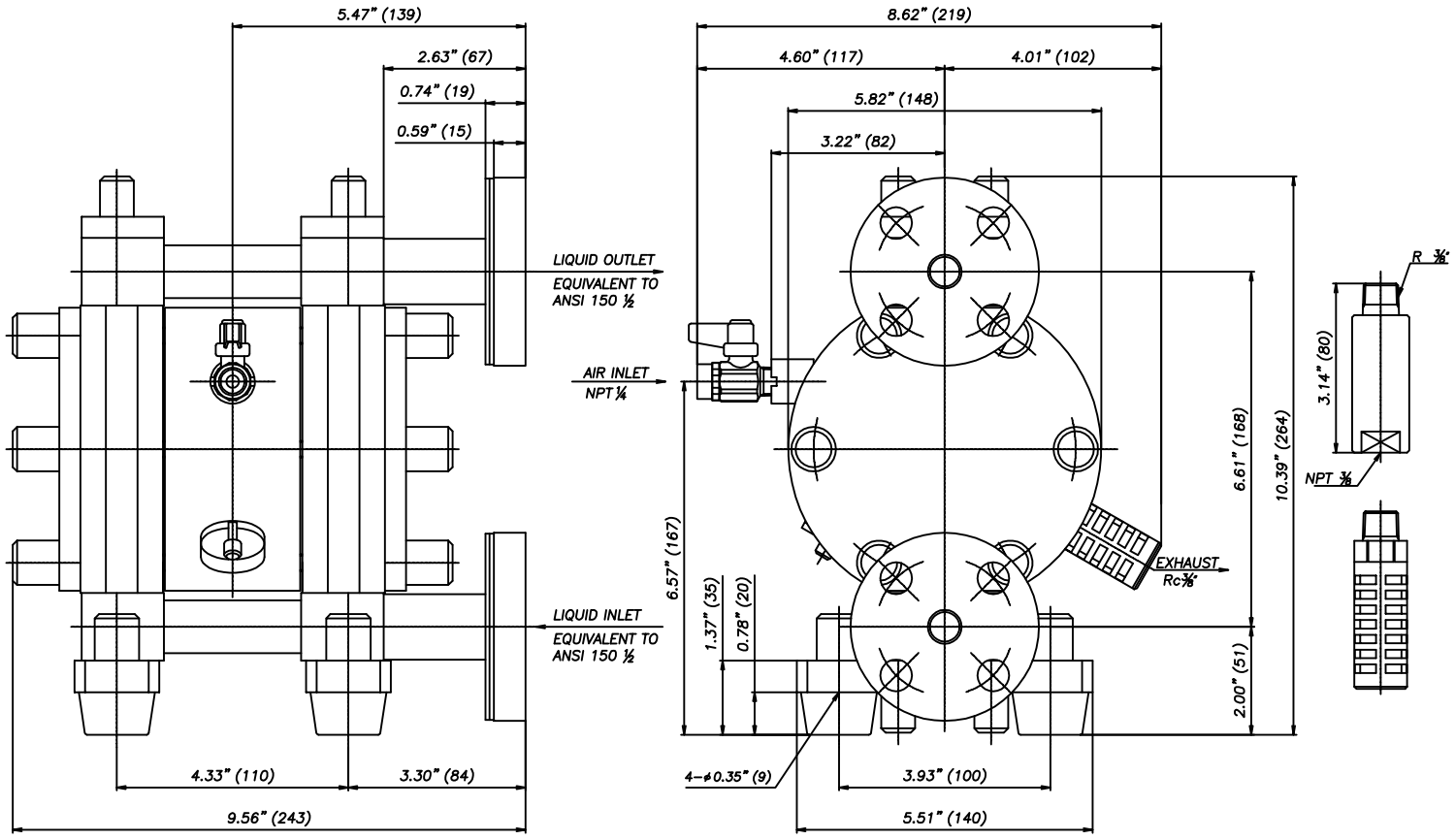


NOTES:  
1. SOME FEATURES MAY VARY SLIGHTLY.

<b>PROPRIETARY</b> THIS DRAWING CONTAINS CONFIDENTIAL INFORMATION PROPRIETARY TO IWAKI AMERICA. IT MUST NOT BE REPRODUCED OR FORWARDED TO OTHERS OR USED IN ANY OTHER WAY, IN WHOLE OR IN PART, UNLESS AUTHORIZED IN WRITING BY IWAKI AMERICA.		<b>TOLERANCES</b> DIMENSIONS IN INCHES OMD UNLESS OTHERWISE NOTED X = .050 .XX = .010 .XXX = .00 DEBURR AND BREAK ALL SHARP EDGES		 www.IwakiAir.com		5 Boynton Rd. Hopping Brook Park Holliston, MA 01746 (508) 429-1440	
MATERIAL		SIZE		DESCRIPTION		REV	
SEE CHART		B		TC-X00149		TC-X100TTD(NPT)	
BY	DATE	SCALE:	FULL	THIRD ANGLE PROJECTION	SHEET: 1 OF 1		
JP	2/23/2017						A
APPROVED	DATE						
CJC	2/23/2017						

Materials of Construction	
PUMP BODY MATERIAL	PURE PTFE
DIAPHRAGM MATERIAL	T=PTFE

REVISIONS			
REV	DESCRIPTION	DATE	APPROVED
A	RELEASED	2/23/2017	CJC

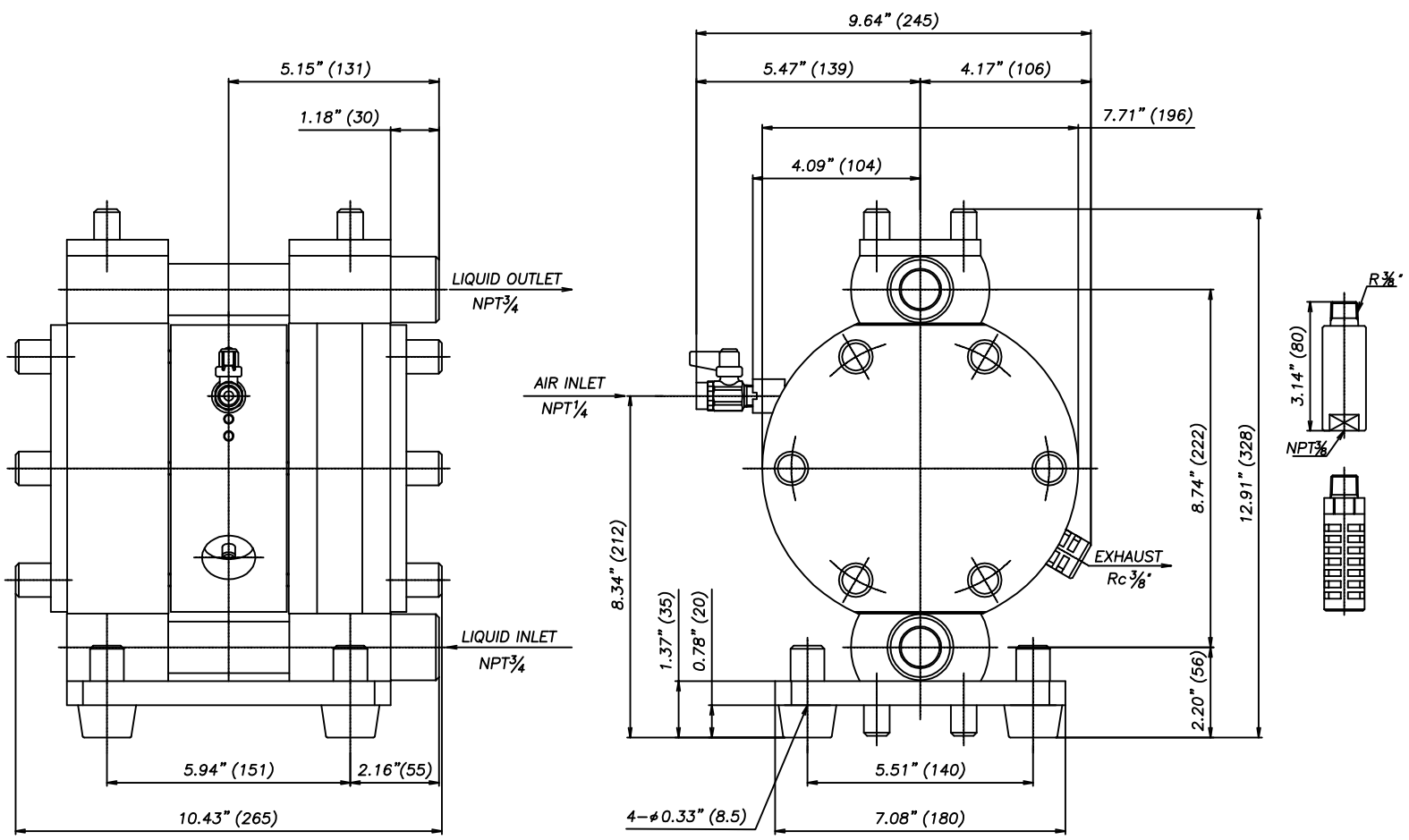


NOTES:  
1. SOME FEATURES MAY VARY SLIGHTLY.

<b>PROPRIETARY</b> THIS DRAWING CONTAINS CONFIDENTIAL INFORMATION PROPRIETARY TO IWAKI AMERICA. IT MUST NOT BE REPRODUCED OR FORWARDED TO OTHERS OR USED IN ANY OTHER WAY, IN WHOLE OR IN PART, UNLESS AUTHORIZED IN WRITING BY IWAKI AMERICA.		<b>TOLERANCES</b> DIMENSIONS IN INCHES OMD UNLESS OTHERWISE NOTED X = .050 .XX = .010 .XXX = .00 DEBURR AND BREAK ALL SHARP EDGES		 www.IwakiAir.com 5 Boynton Rd. Hopping Brook Park Holliston, MA 01746 (508) 429-1440	
MATERIAL SEE CHART		SIZE B	DWG NO. TC-X00150	DESCRIPTION TC-X100TTD-FLA(NPT)	REV A
BY JP	DATE 2/23/2017	SCALE: FULL	THIRD ANGLE PROJECTION	SHEET: 1 OF 1	
APPROVED CJC	DATE 2/23/2017				

Materials of Construction	
PUMP BODY MATERIAL	PURE PTFE
DIAPHRAGM MATERIAL	T=PTFE

REVISIONS			
REV	DESCRIPTION	DATE	APPROVED
A	RELEASED	2/23/2017	CJC

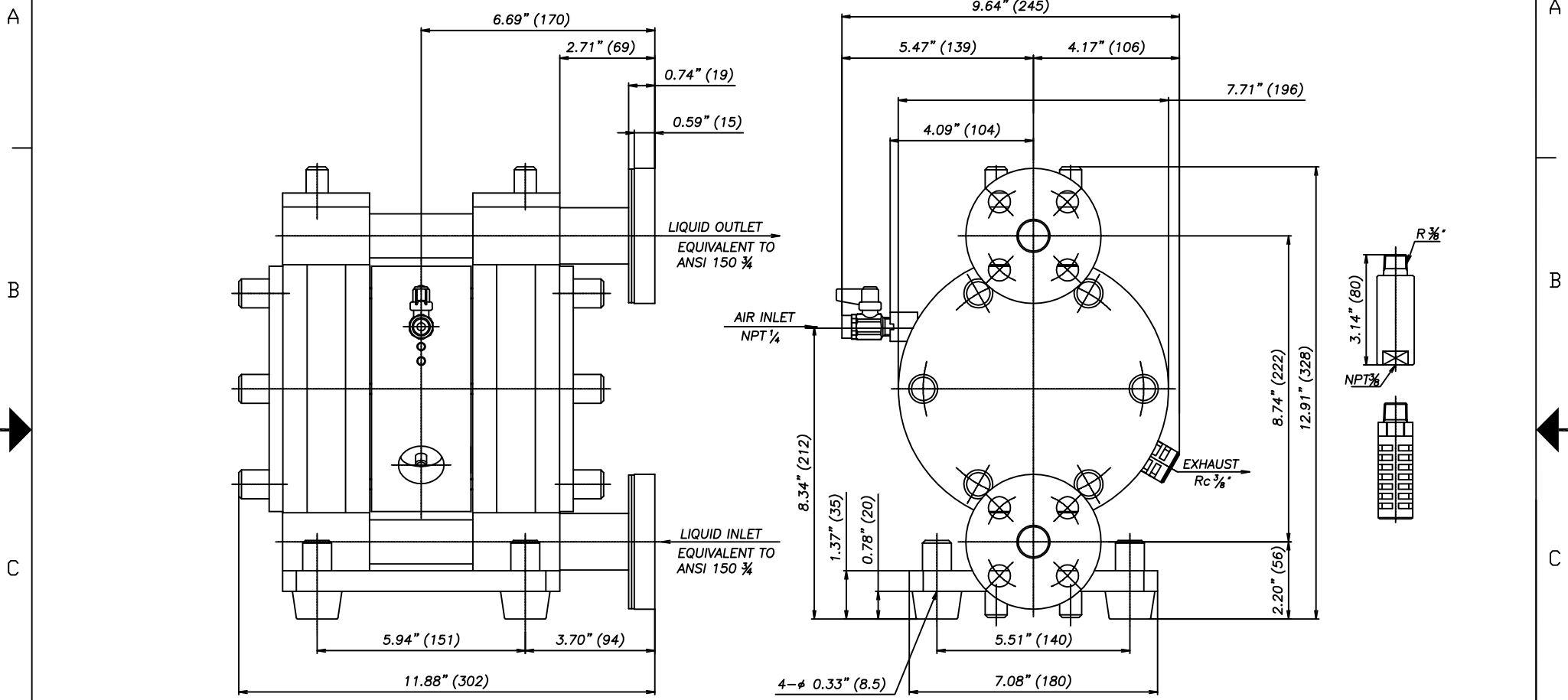


NOTES:  
1. SOME FEATURES MAY VARY SLIGHTLY.

<b>PROPRIETARY</b> THIS DRAWING CONTAINS CONFIDENTIAL INFORMATION PROPRIETARY TO IWAKI AMERICA. IT MUST NOT BE REPRODUCED OR FORWARDED TO OTHERS OR USED IN ANY OTHER WAY, IN WHOLE OR IN PART, UNLESS AUTHORIZED IN WRITING BY IWAKI AMERICA.		<b>TOLERANCES</b> DIMENSIONS IN INCHES OMD UNLESS OTHERWISE NOTED X = .050 .XX = .010 .XXX = .00 DEBURR AND BREAK ALL SHARP EDGES		 www.IwakiAir.com 5 Boynton Rd. Hopping Brook Park Holliston, MA 01746 (508) 429-1440	
MATERIAL: SEE CHART		SIZE: B	DWG NO.: TC-X00153	DESCRIPTION: TC-X200TTD(NPT)	REV: A
BY: JP	DATE: 2/23/2017	SCALE: FULL	THIRD ANGLE PROJECTION	SHEET: 1 OF 1	
APPROVED: CJC	DATE: 2/23/2017				

Materials of Construction	
PUMP BODY MATERIAL	PURE PTFE
DIAPHRAGM MATERIAL	T=PTFE

REVISIONS			
REV	DESCRIPTION	DATE	APPROVED
A	RELEASED	2/23/2017	CJC

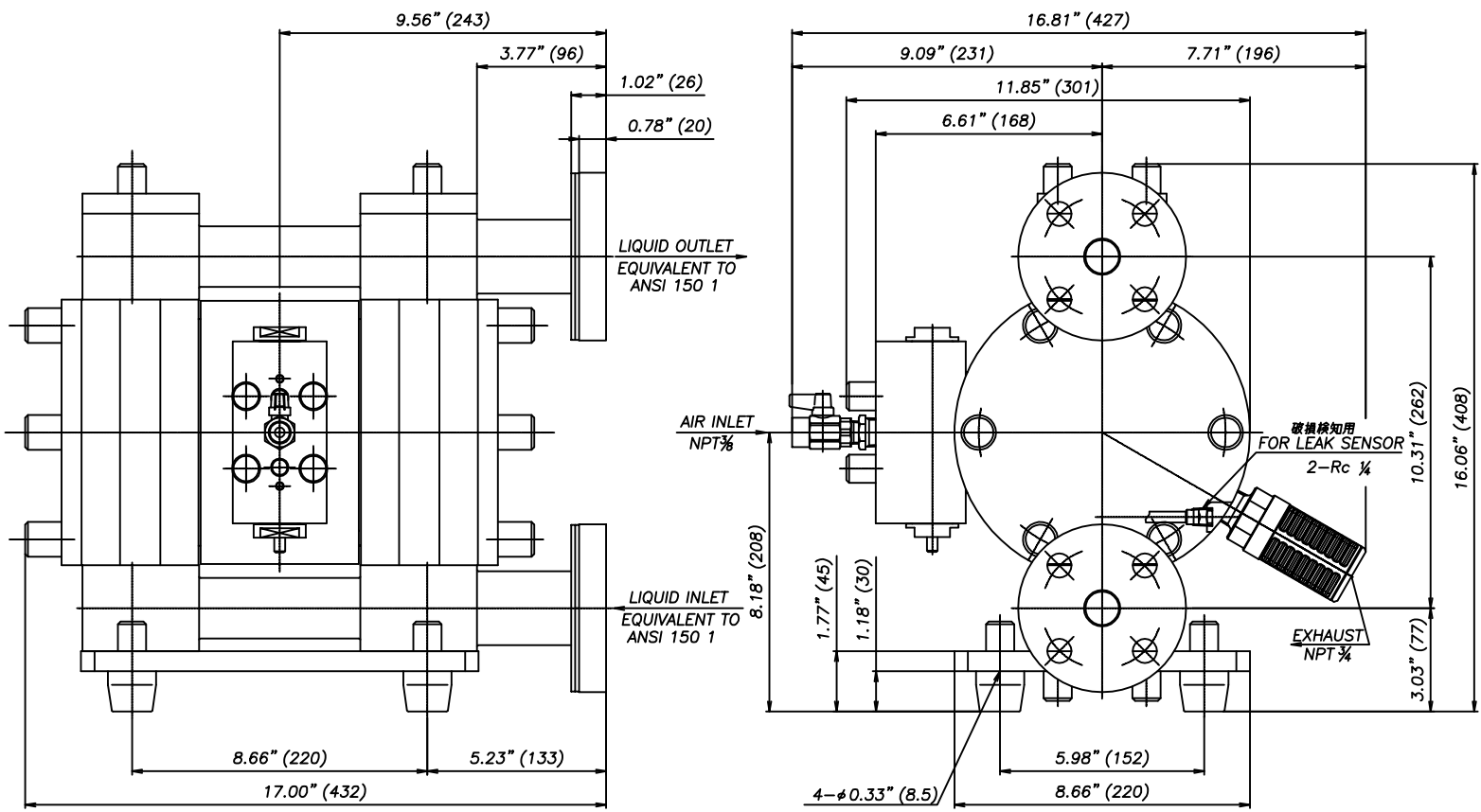


NOTES:  
1. SOME FEATURES MAY VARY SLIGHTLY.


<b>PROPRIETARY</b> THIS DRAWING CONTAINS CONFIDENTIAL INFORMATION PROPRIETARY TO IWAKI AMERICA. IT MUST NOT BE REPRODUCED OR FORWARDED TO OTHERS OR USED IN ANY OTHER WAY, IN WHOLE OR IN PART, UNLESS AUTHORIZED IN WRITING BY IWAKI AMERICA.		<b>TOLERANCES</b> DIMENSIONS IN INCHES UNLESS OTHERWISE NOTED X = .050 .XX = .010 .XXX = .00 DEBURR AND BREAK ALL SHARP EDGES		 www.lwakiAir.com		5 Boynton Rd. Hopping Brook Park Holliston, MA 01746 (508) 429-1440	
MATERIAL		SEE CHART		SCALE: FULL		THIRD ANGLE PROJECTION	
BY	DATE	SIZE	DWG NO.	DESCRIPTION	REV	SHEET: 1 OF 1	
JP	2/23/2017	B	TC-X00154	TC-X200TTD-FLA(NPT)	A		
APPROVED	DATE	SCALE: FULL		THIRD ANGLE PROJECTION		SHEET: 1 OF 1	
CJC	2/23/2017						

Materials of Construction	
PUMP BODY MATERIAL	PURE PTFE
DIAPHRAGM MATERIAL	T=PTFE

REVISIONS			
REV	DESCRIPTION	DATE	APPROVED
A	RELEASED	3/22/2017	CJC

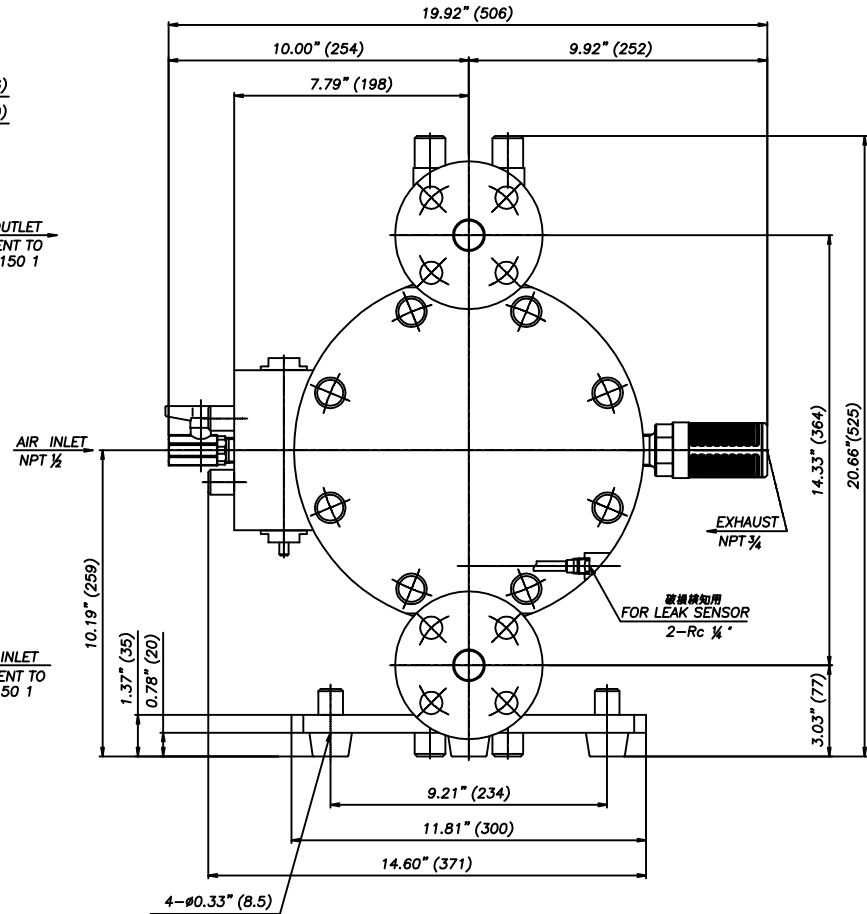
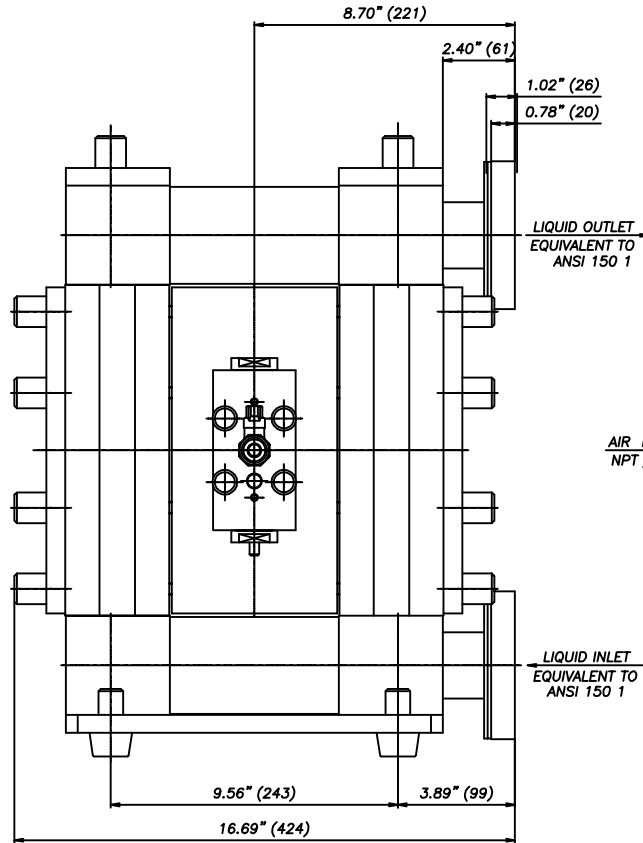


NOTES:  
1. SOME FEATURES MAY VARY SLIGHTLY.

<b>PROPRIETARY</b> THIS DRAWING CONTAINS CONFIDENTIAL INFORMATION PROPRIETARY TO IWAKI AMERICA. IT MUST NOT BE REPRODUCED OR FORWARDED TO OTHERS OR USED IN ANY OTHER WAY, IN WHOLE OR IN PART, UNLESS AUTHORIZED IN WRITING BY IWAKI AMERICA.		<b>TOLERANCES</b> DIMENSIONS IN INCHES OMD UNLESS OTHERWISE NOTED X = .050 .XX = .010 .XXX = .00		 www.IwakiAir.com	5 Boynton Rd. Hopping Brook Park Holliston, MA 01746 (508) 429-1440
MATERIAL: SEE CHART		DEBURR AND BREAK ALL SHARP EDGES			
BY: JP	DATE: 3/22/2017	SIZE: B	DWG NO.: TC-X00155	DESCRIPTION: TC-X250TTD-FLA(NPT)	REV: A
APPROVED: CJC	DATE: 3/22/2017	SCALE: FULL	THIRD ANGLE PROJECTION	SHEET: 1 OF 1	

Materials of Construction	
PUMP BODY MATERIAL	PURE PTFE
DIAPHRAGM MATERIAL	T=PTFE

REVISIONS			
REV	DESCRIPTION	DATE	APPROVED
A	RELEASED	3/22/2017	CJC



NOTES:  
1. SOME FEATURES MAY VARY SLIGHTLY.

<b>PROPRIETARY</b> THIS DRAWING CONTAINS CONFIDENTIAL INFORMATION PROPRIETARY TO IWAKI AMERICA. IT MUST NOT BE REPRODUCED OR FORWARDED TO OTHERS OR USED IN ANY OTHER WAY, IN WHOLE OR IN PART, UNLESS AUTHORIZED IN WRITING BY IWAKI AMERICA.		<b>TOLERANCES</b> DIMENSIONS IN INCHES UNLESS OTHERWISE NOTED X = .050 .XX = .010 .XXX = .005 DEBURR AND BREAK ALL SHARP EDGES		 www.IwakiAir.com 5 Boynton Rd. Hopping Brook Park Holliston, MA 01746 (508) 429-1440	
MATERIAL SEE CHART		SIZE B	DWG NO. TC-X00157	DESCRIPTION TC-X400TTD-FLA(NPT)	REV A
BY JP	DATE 3/22/2017	SCALE: FULL	THIRD ANGLE PROJECTION	SHEET: 1 OF 1	
APPROVED CJC	DATE 3/22/2017				