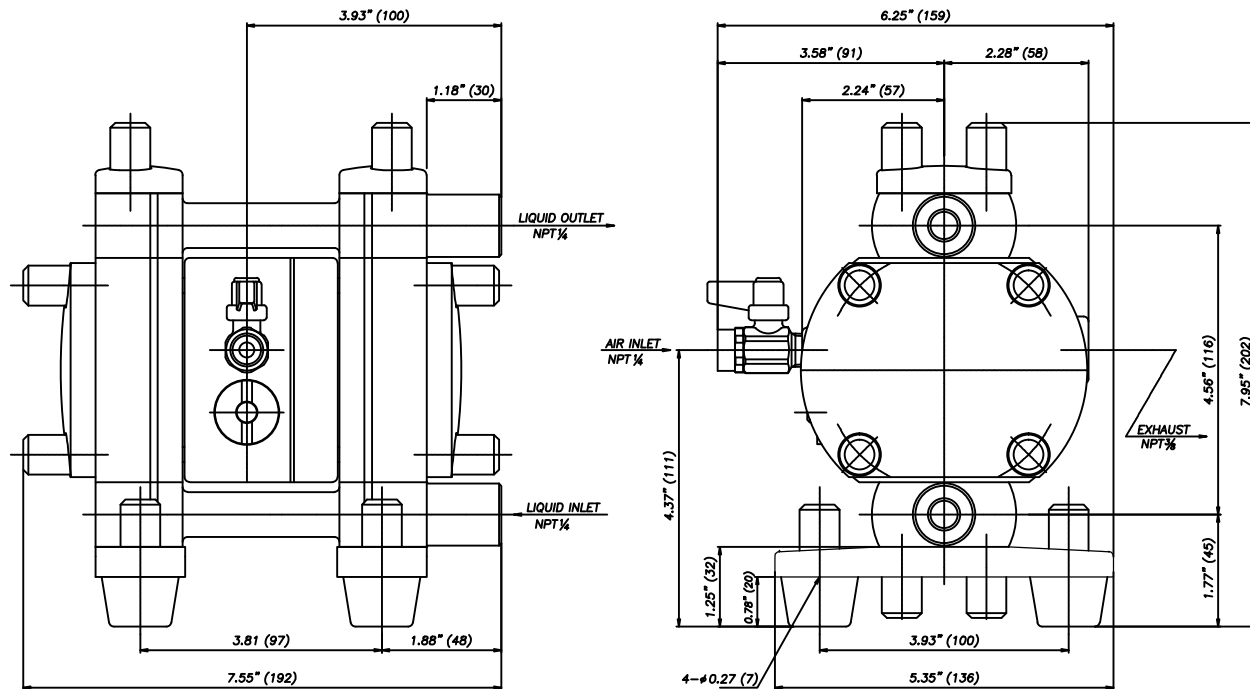


Materials of Construction	
PUMP BODY MATERIAL	PTFE
DIAPHRAGM MATERIAL	T=PTFE

REVISIONS			
REV	DESCRIPTION	DATE	APPROVED
A	RELEASED	2/26/2018	CJC

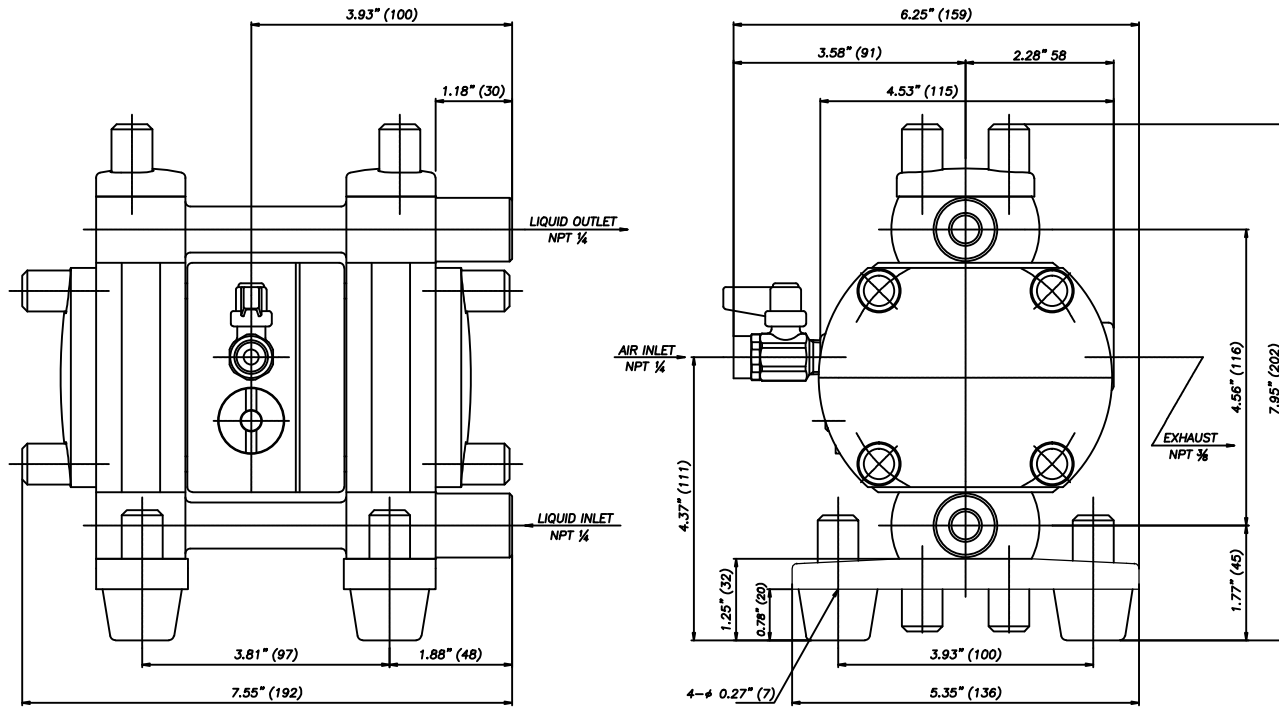


NOTES:  
1. SOME FEATURES MAY VARY SLIGHTLY.


<b>PROPRIETARY</b> THIS DRAWING CONTAINS CONFIDENTIAL INFORMATION PROPRIETARY TO IWAKI AMERICA. IT MUST NOT BE REPRODUCED OR FORWARDED TO OTHERS OR USED IN ANY OTHER WAY, IN WHOLE OR IN PART, UNLESS AUTHORIZED IN WRITING BY IWAKI AMERICA.		<b>TOLERANCES</b> DIMENSIONS IN INCHES UNLESS OTHERWISE NOTED X = .050 .XX = .010 .XXX = .005 DEBURR AND BREAK ALL SHARP EDGES		 www.IwakiAir.com		5 Boynton Rd. Hopping Brook Park Holliston, MA 01746 (508) 429-1440	
MATERIAL		SEE CHART		BY		DATE	
				JP		2/26/2018	
APPROVED		DATE		SIZE		DWG NO.	
CJC		2/26/2018		B		TC-X00168	
SCALE: FULL		THIRD ANGLE PROJECTION		DESCRIPTION		REV	
				TC-X030TT(NPT)		A	
				SHEET: 1 OF 1			

Materials of Construction	
PUMP BODY MATERIAL	PTFE
DIAPHRAGM MATERIAL	T=PTFE

REVISIONS			
REV	DESCRIPTION	DATE	APPROVED
A	RELEASED	2/26/2018	CJC

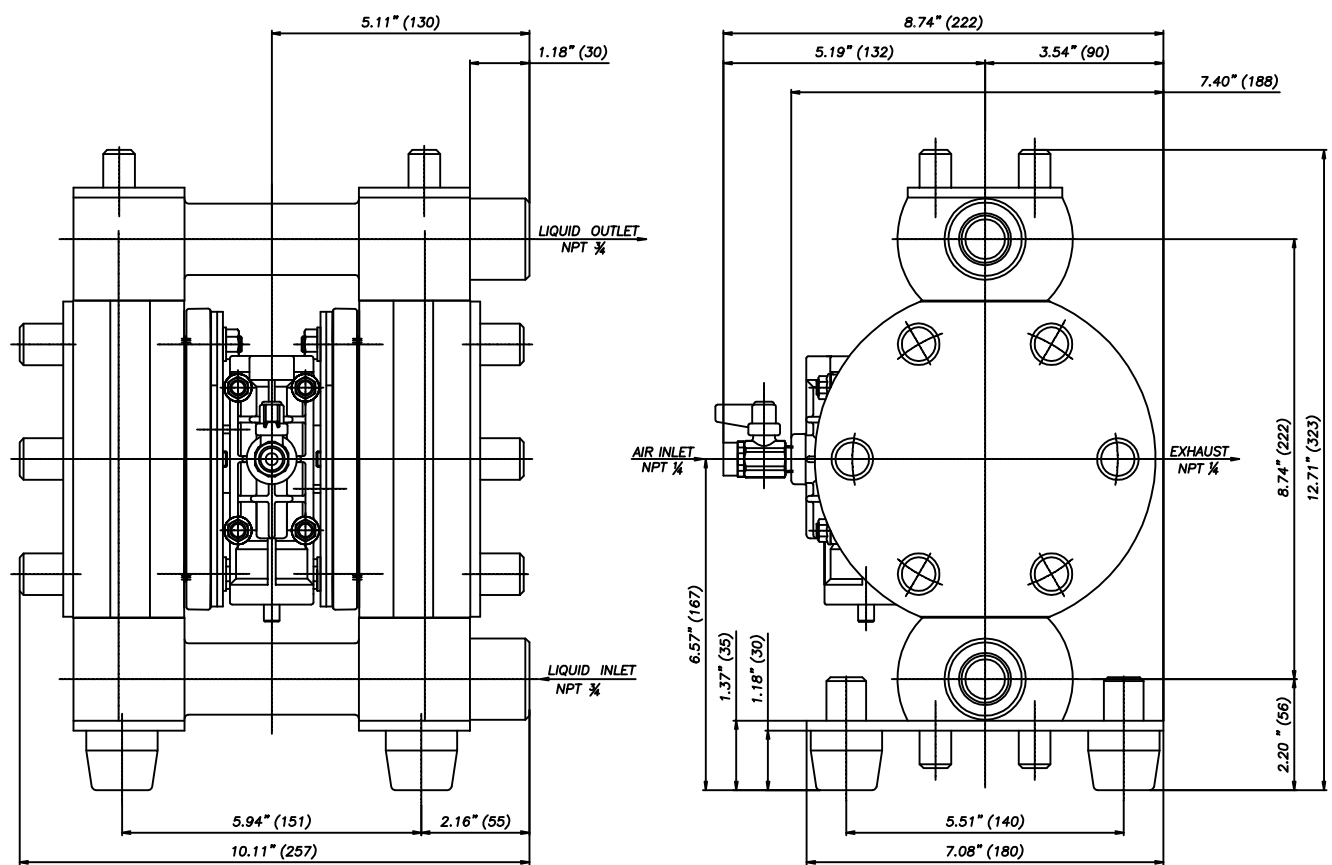


NOTES:  
1. SOME FEATURES MAY VARY SLIGHTLY.


<b>PROPRIETARY</b> THIS DRAWING CONTAINS CONFIDENTIAL INFORMATION PROPRIETARY TO IWAKI AMERICA. IT MUST NOT BE REPRODUCED OR FORWARDED TO OTHERS OR USED IN ANY OTHER WAY, IN WHOLE OR IN PART, UNLESS AUTHORIZED IN WRITING BY IWAKI AMERICA.		<b>TOLERANCES</b> DIMENSIONS IN INCHES UNLESS OTHERWISE NOTED X = .050 .XX = .010 .XXX = .005 DEBURR AND BREAK ALL SHARP EDGES		 www.IwakiAir.com	5 Boynton Rd. Hopping Brook Park Holliston, MA 01746 (508) 429-1440
		MATERIAL SEE CHART			
BY JP	DATE 2/26/2018	SIZE B	DWG NO. TC-X00169	DESCRIPTION TC-X050TT(NPT)	REV A
APPROVED CJC	DATE 2/26/2018	SCALE: FULL	THIRD ANGLE PROJECTION	SHEET: 1 OF 1	

Materials of Construction	
PUMP BODY MATERIAL	PTFE
DIAPHRAGM MATERIAL	T=PTFE

REVISIONS			
REV	DESCRIPTION	DATE	APPROVED
A	RELEASED	2/23/2017	CJC



NOTES:  
1. SOME FEATURES MAY VARY SLIGHTLY.

<b>PROPRIETARY</b> THIS DRAWING CONTAINS CONFIDENTIAL INFORMATION PROPRIETARY TO IWAKI AMERICA. IT MUST NOT BE REPRODUCED OR FORWARDED TO OTHERS OR USED IN ANY OTHER WAY, IN WHOLE OR IN PART, UNLESS AUTHORIZED IN WRITING BY IWAKI AMERICA.		<b>TOLERANCES</b> DIMENSIONS IN INCHES UNLESS OTHERWISE NOTED X = .050 .XX = .010 .XXX = .00		 www.lwakiAir.com		5 Boynton Rd. Hopping Brook Park Holliston, MA 01746 (508) 429-1440	
MATERIAL		DEBURR AND BREAK ALL SHARP EDGES		SCALE: FULL		THIRD ANGLE PROJECTION	
SEE CHART		BY: JP		DATE: 2/23/2017		DESCRIPTION: TC-X152TT-SP20(NPT)	
APPROVED: CJC		DATE: 2/23/2017		SIZE: B		REV: A	
				TC-X00151		SHEET: 1 OF 1	

4

3

2

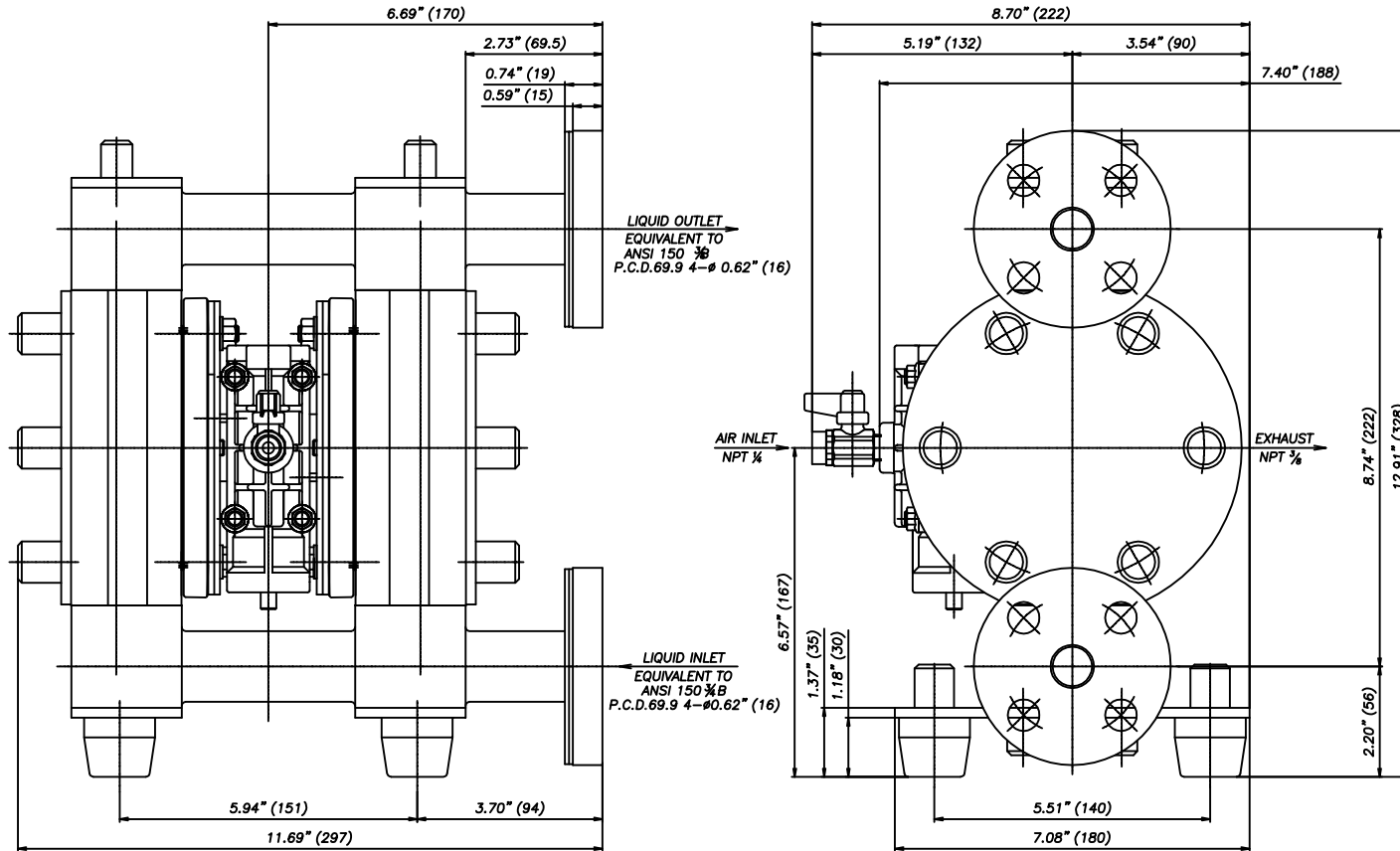
1

REVISIONS


REV	DESCRIPTION	DATE	APPROVED
A	RELEASED	2/23/2017	CJC

Materials of Construction

PUMP BODY MATERIAL	PTFE
DIAPHRAGM MATERIAL	T=PTFE



NOTES:  
 1. SOME FEATURES MAY VARY SLIGHTLY.

<b>PROPRIETARY</b> THIS DRAWING CONTAINS CONFIDENTIAL INFORMATION PROPRIETARY TO IWAKI AMERICA. IT MUST NOT BE REPRODUCED OR FORWARDED TO OTHERS OR USED IN ANY OTHER WAY, IN WHOLE OR IN PART, UNLESS AUTHORIZED IN WRITING BY IWAKI AMERICA.		<b>TOLERANCES</b> DIMENSIONS IN INCHES OMD UNLESS OTHERWISE NOTED X = .050 .XX = .010 .XXX = .00 DEBURR AND BREAK ALL SHARP EDGES		 www.IwakiAir.com		5 Boynton Rd. Hopping Brook Park Holliston, MA 01746 (508) 429-1440	
MATERIAL		SEE CHART		SCALE: FULL		THIRD ANGLE PROJECTION	
BY	DATE	SIZE	DWG NO.	DESCRIPTION	REV	SHEET: 1 OF 1	
JP	2/23/2017	B	TC-X00152	TC-X152TT-SP20-FLA(NPT)	A		
APPROVED	DATE	SCALE: FULL		THIRD ANGLE PROJECTION		SHEET: 1 OF 1	
CJC	2/23/2017						

4

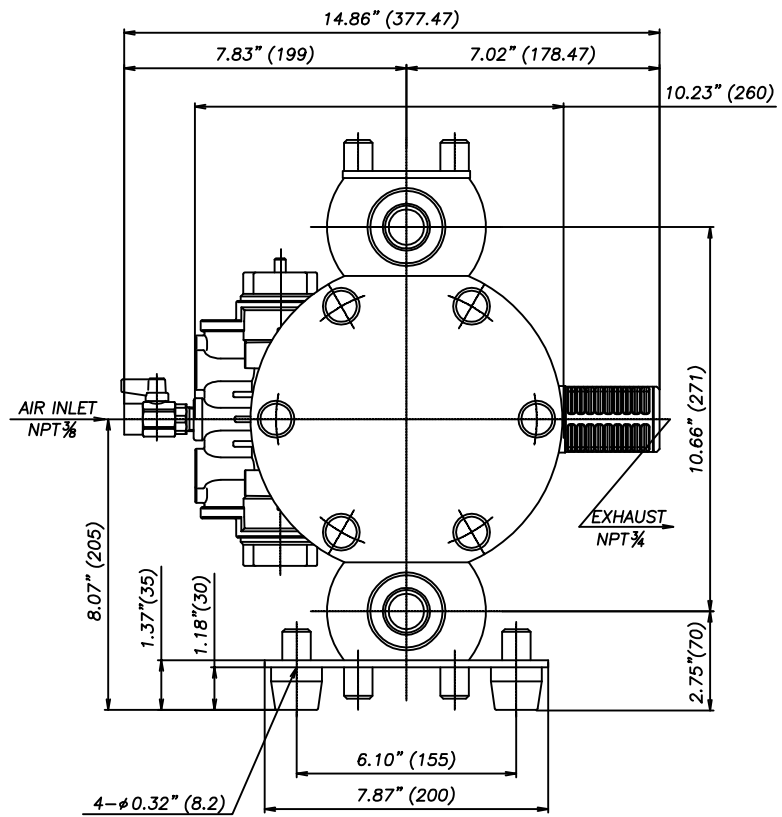
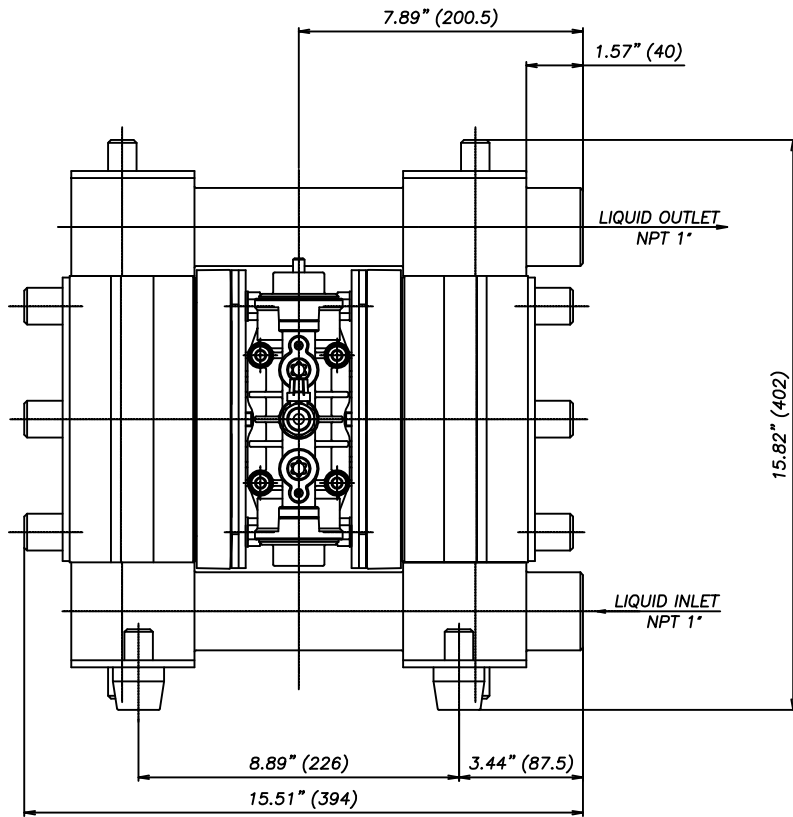
3

2


1

Materials of Construction	
PUMP BODY MATERIAL	PTFE
DIAPHRAGM MATERIAL	T=PTFE

REVISIONS			
REV	DESCRIPTION	DATE	APPROVED
A	RELEASED	3/22/2017	CJC



NOTES:  
1. SOME FEATURES MAY VARY SLIGHTLY.

<b>PROPRIETARY</b> THIS DRAWING CONTAINS CONFIDENTIAL INFORMATION PROPRIETARY TO IWAKI AMERICA. IT MUST NOT BE REPRODUCED OR FORWARDED TO OTHERS OR USED IN ANY OTHER WAY, IN WHOLE OR IN PART, UNLESS AUTHORIZED IN WRITING BY IWAKI AMERICA.		<b>TOLERANCES</b> DIMENSIONS IN INCHES OMD UNLESS OTHERWISE NOTED X = .050 .XX = .010 .XXX = .00 DEBURR AND BREAK ALL SHARP EDGES		 www.IwakiAir.com		5 Boynton Rd. Hopping Brook Park Holliston, MA 01746 (508) 429-1440	
MATERIAL		SEE CHART		SCALE: FULL		THIRD ANGLE PROJECTION	
BY	DATE	SIZE	DWG NO.	DESCRIPTION	REV		
JP	3/22/2017	B	TC-X00156	TC-X253TT(NPT)	A		
APPROVED	DATE	SCALE: FULL		THIRD ANGLE PROJECTION		SHEET: 1 OF 1	
CJC	3/22/2017						