

4

3

2

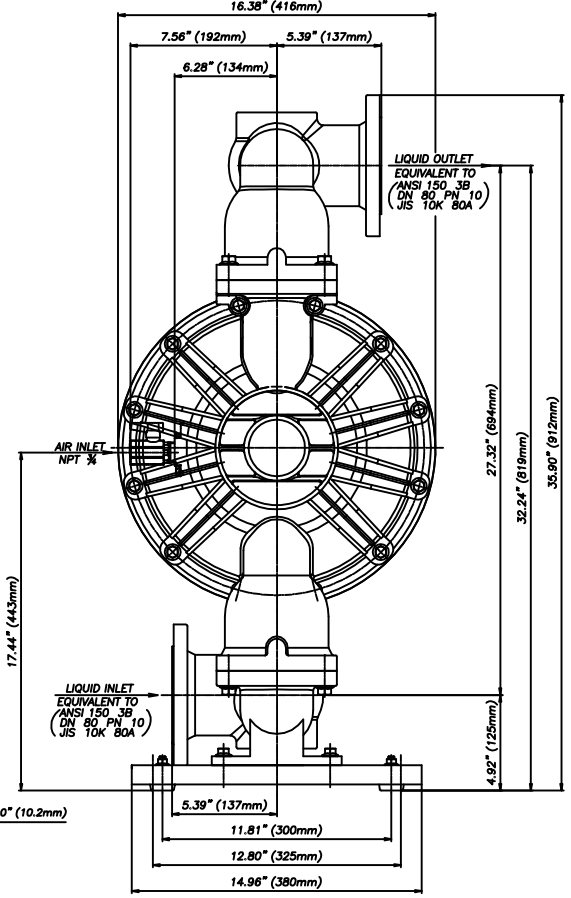
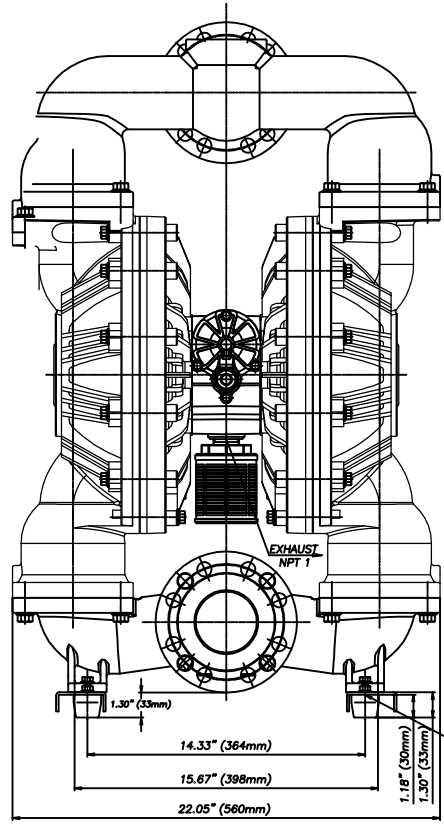
1

Materials of Construction


PUMP BODY MATERIAL	A=AL
	F=Cast Iron
	S=SUS
DIAPHRAGM MATERIAL	C=CR
	N=NBR
	T=PTFE
	H=TPEE
	S=TPO
	V=FKM
	E=EPDM

REVISIONS

REV	DESCRIPTION	DATE	APPROVED
A	RELEASED	3/25/2019	CJC



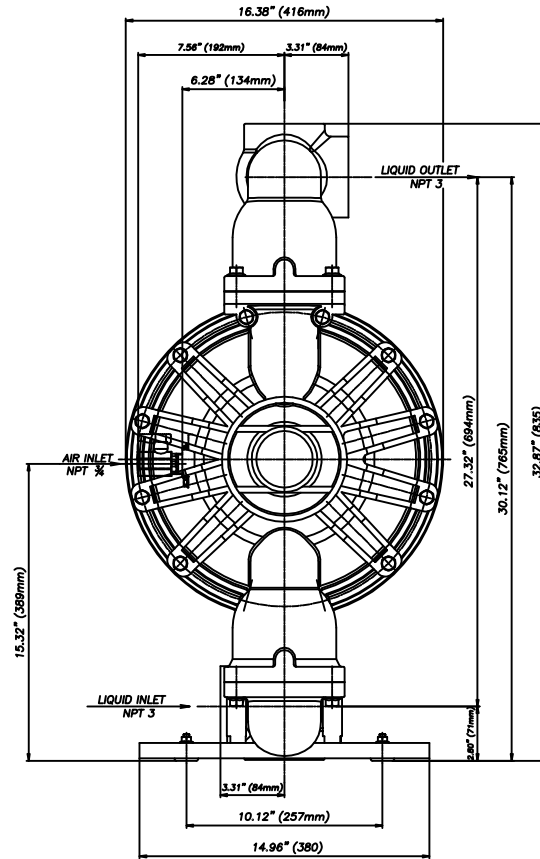
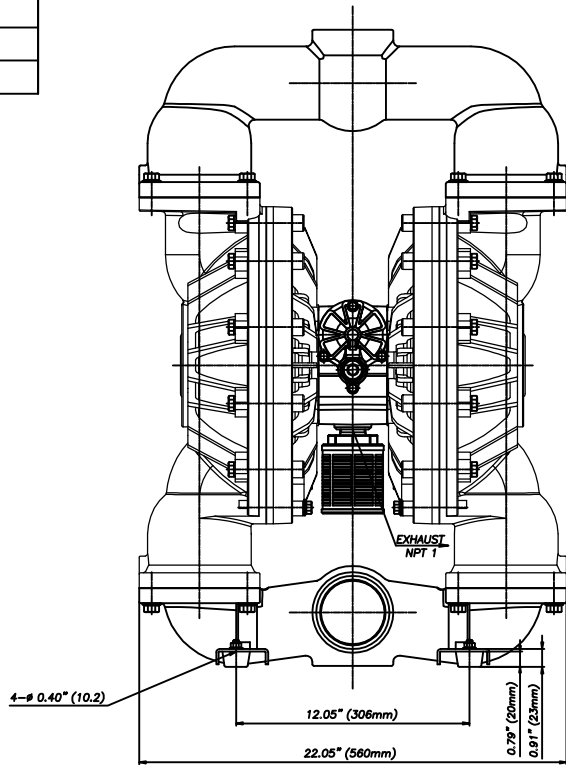
NOTES:
1. SOME FEATURES MAY VARY SLIGHTLY.

PROPRIETARY THIS DRAWING CONTAINS CONFIDENTIAL INFORMATION PROPRIETARY TO IWAKI AMERICA. IT MUST NOT BE REPRODUCED OR FORWARDED TO OTHERS OR USED IN ANY OTHER WAY, IN WHOLE OR IN PART, UNLESS AUTHORIZED IN WRITING BY IWAKI AMERICA.		TOLERANCES DIMENSIONS IN INCHES (MM)		 5 Boynton Rd. Hopping Brook Park Holliston, MA 01746 www.IwakiAir.com (508) 429-1440			
		UNLESS OTHERWISE NOTED X = .050 .XX = .010 .XXX = .00					
MATERIAL		DEBURR AND BREAK ALL SHARP EDGES					
SEE CHART		BY	DATE	SIZE	DWG NO.	DESCRIPTION	REV
		JP	3/25/2019	B	TC-X00178	TC-X801A/F/S -FLA	A
APPROVED	DATE	SCALE: FULL		THIRD ANGLE PROJECTION		SHEET:	1 OF 1
CJC	3/25/2019						


Materials of Construction

PUMP BODY MATERIAL	A=AL
	F=Cast Iron
	S=SUS
DIAPHRAGM MATERIAL	C=CR
	N=NBR
	T=PTFE
	H=TPEE
	S=TPO
	V=FKM
E=EPDM	

REVISIONS			
REV	DESCRIPTION	DATE	APPROVED
A	RELEASED	3/25/2019	CJC



NOTES:
1. SOME FEATURES MAY VARY SLIGHTLY.

<p>PROPRIETARY</p> <p>THIS DRAWING CONTAINS CONFIDENTIAL INFORMATION PROPRIETARY TO IWAKI AMERICA. IT MUST NOT BE REPRODUCED OR FORWARDED TO OTHERS OR USED IN ANY OTHER WAY, IN WHOLE OR IN PART, UNLESS AUTHORIZED IN WRITING BY IWAKI AMERICA.</p>		<p>TOLERANCES</p> <p>DIMENSIONS IN INCHES (MM)</p> <p>UNLESS OTHERWISE NOTED</p> <p>X = .050</p> <p>.XX = .010</p> <p>.XXX = .00</p> <p>DEBURR AND BREAK ALL SHARP EDGES</p>		 <p>5 Boynton Rd. Hopping Brook Park Holliston, MA 01746 (508) 429-1440</p> <p>www.IwakiAir.com</p>	
		<p>MATERIAL</p> <p>SEE CHART</p>			
BY	DATE	SIZE	DWG NO.	DESCRIPTION	REV
JP	3/25/2019	B	TC-X00179	TC-X801A/F/S -NPT	A
APPROVED	DATE	SCALE:	FULL	THIRD ANGLE PROJECTION	SHEET: 1 OF 1
CJC	3/25/2019				

4

3

2

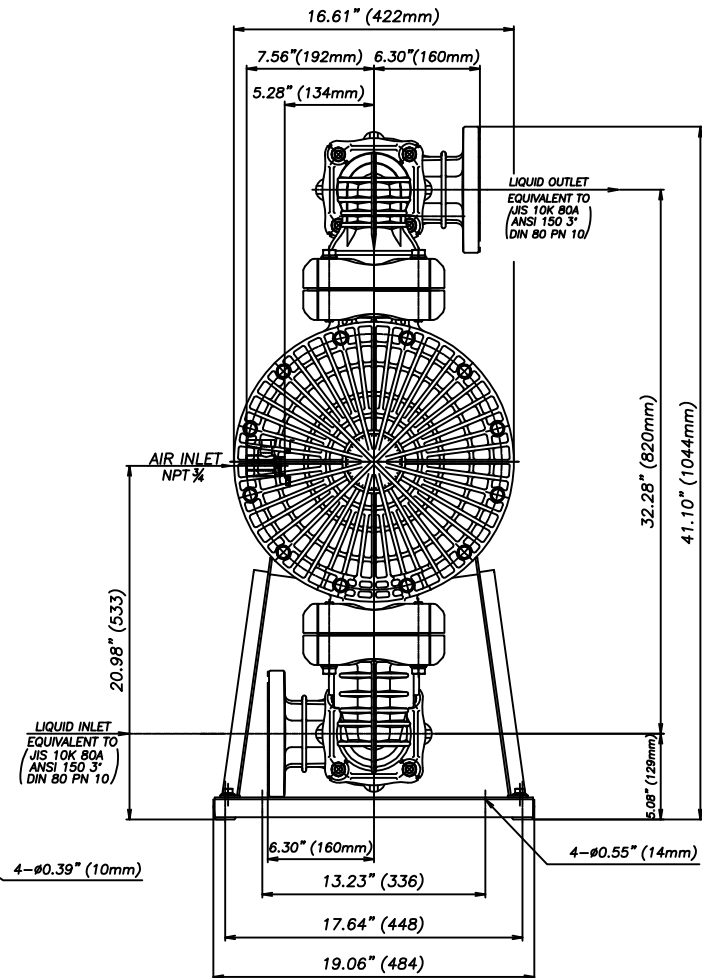
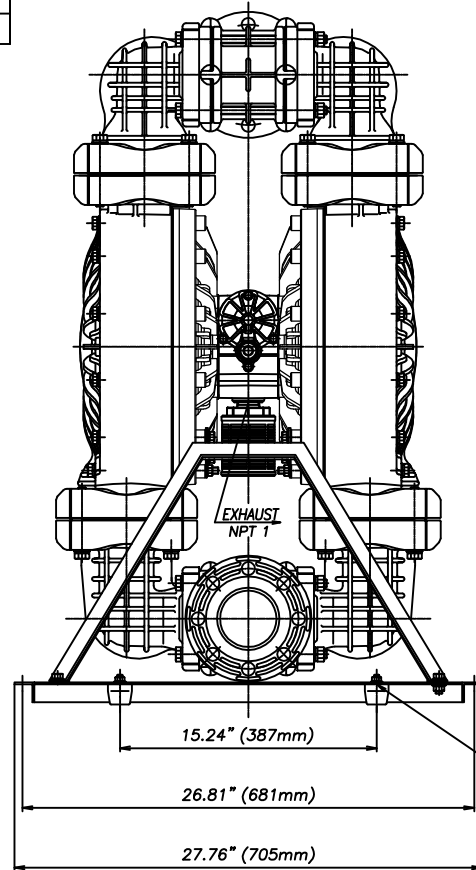
1

REVISIONS

REV	DESCRIPTION	DATE	APPROVED
A	RELEASED	3/25/2019	CJC

Materials of Construction

PUMP BODY MATERIAL	PPG
	C=CR
	N=NBR
	T=PTFE
DIAPHRAGM MATERIAL	H=TPEE
	S=TPO
	V=FKM
	E=EPDM



NOTES:
1. SOME FEATURES MAY VARY SLIGHTLY.

PROPRIETARY

THIS DRAWING CONTAINS CONFIDENTIAL INFORMATION
PROPRIETARY TO IWAKI AMERICA. IT MUST NOT BE
REPRODUCED OR FORWARDED TO OTHERS OR USED IN ANY
OTHER WAY, IN WHOLE OR IN PART, UNLESS AUTHORIZED IN
WRITING BY IWAKI AMERICA.

TOLERANCES

DIMENSIONS IN INCHES (MM)

UNLESS OTHERWISE
NOTED
X = .050
.XX = .010
.XXX = .00

DEBURR AND BREAK
ALL SHARP EDGES

MATERIAL

SEE CHART

BY

JP

DATE

3/25/2019

SIZE

B

DWG NO.

TC-X00180

DESCRIPTION

TC-X801P -FLA

REV

A

APPROVED

CJC

DATE

3/25/2019

SCALE: FULL



THIRD ANGLE
PROJECTION

SHEET:

1 OF 1



www.IwakiAir.com

5 Boynton Rd.
Hopping Brook Park
Holliston, MA 01746
(508) 429-1440

4

3

2

1