

4

3

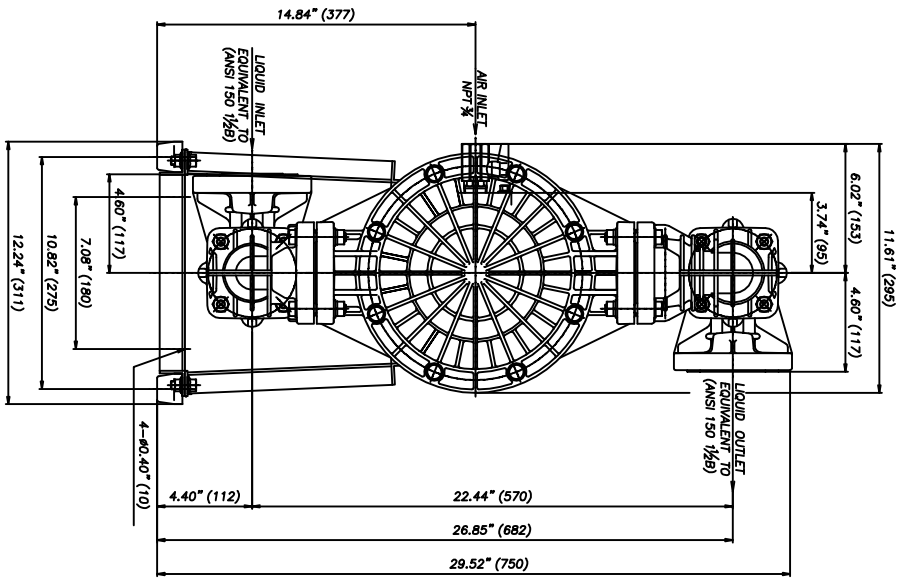
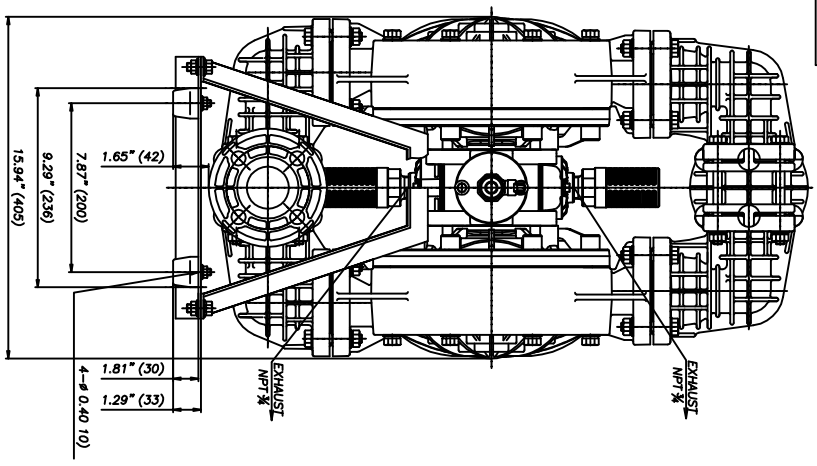
2

1

Materials of Construction	
PUMP BODY MATERIAL	PPG
	C=CR
	N=NBR
	T=PTFE
	H=TPPE
	S=TPD
	V=FKM
	E=EPDM

DIAPHRAGM MATERIAL

E=EPDM



NOTES:  
1. SOME FEATURES MAY VARY SLIGHTLY.

REVISIONS			
REV	DESCRIPTION	DATE	APPROVED
A	RELEASED	1/26/2017	JP

**PROPRIETARY**

THIS DRAWING CONTAINS CONFIDENTIAL INFORMATION PROPRIETARY TO IWAKI AMERICA. IT MUST NOT BE REPRODUCED OR FORWARDED TO OTHERS OR USED IN ANY OTHER WAY, IN WHOLE OR IN PART, UNLESS AUTHORIZED IN WRITING BY IWAKI AMERICA.

**TOLERANCES**

DIMENSIONS IN INCHES 0-90  
UNLESS OTHERWISE NOTED  
X = .050  
XX = .010  
XXX = .00

REFER AND BREAK ALL SHARP EDGES



5 Boynton Rd.  
Hopping Brook Park  
Holliston, MA 01746  
(508) 429-1440

BY	DATE	SIZE	DWG NO.	DESCRIPTION	REV
JP	1/26/2017	B	TC-X00145	TC-X400P-T-FL-NP-T	A
APPROVED	DATE	SCALE:	FULL	THIRD ANGLE PROJECTION	SHEET: 1 OF 1
CIC	1/30/2017				

4

3

2

1

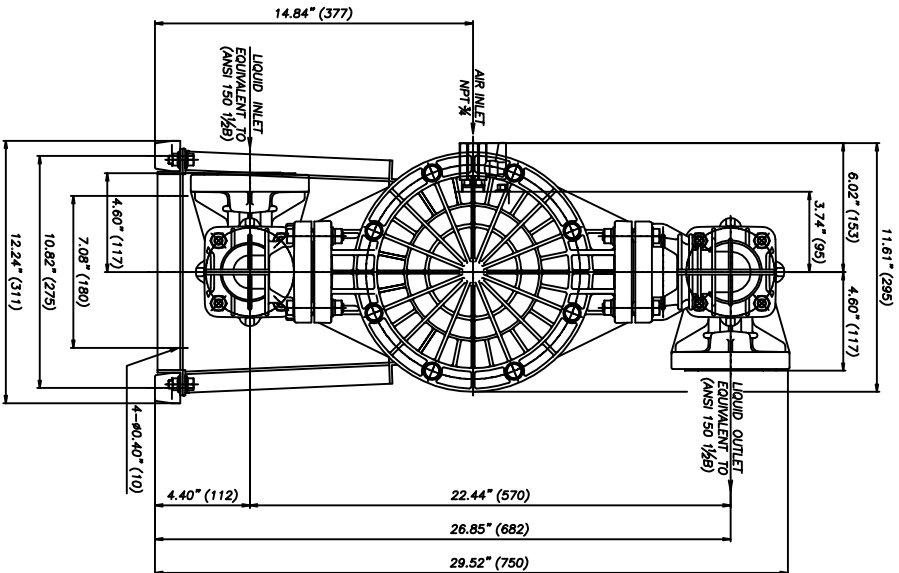
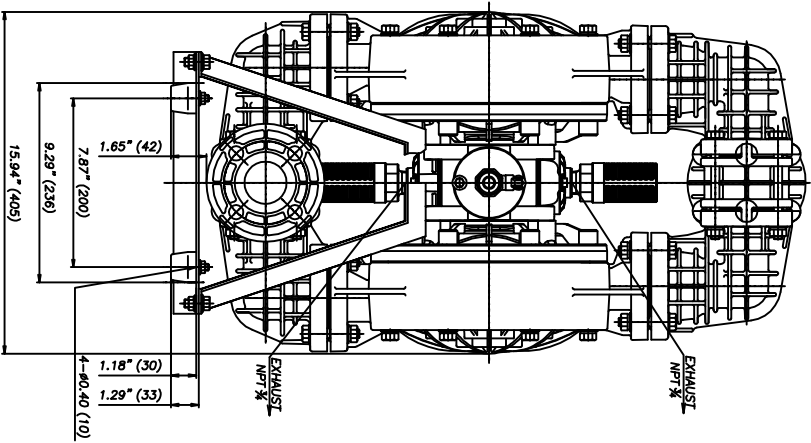
4

3

2

1

Materials of Construction	
PUMP BODY MATERIAL	PVDF
	T=PTFE
	H=TPPEE
DIAPHRAGM MATERIAL	S=TPD
	V=FKM
	E=EPDM



REVISIONS			
REV	DESCRIPTION	DATE	APPROVED
A	RELEASED	1/30/2017	CJC

NOTES:  
1. SOME FEATURES MAY VARY SLIGHTLY.

**PROPRIETARY**  
THIS DRAWING CONTAINS CONFIDENTIAL INFORMATION PROPRIETARY TO IWAKI AMERICA. IT MUST NOT BE REPRODUCED OR FORWARDED TO OTHERS OR USED IN ANY OTHER WAY, IN WHOLE OR IN PART, UNLESS AUTHORIZED IN WRITING BY IWAKI AMERICA.

**TOLERANCES**  
DIMENSIONS IN INCHES UNLESS OTHERWISE NOTED  
X = .050  
.XX = .010  
.XXX = .005  
DIMEN AND BREAK ALL SHARP EDGES

**IWAKI AIR**  
www.iwakiAir.com  
5 Boynton Rd.  
Hopping Brook Park  
Holliston, MA 01746  
(508) 429-1440

BY	DATE	SIZE	DWG NO.	DESCRIPTION	REV
JP	1/26/2017	B	TC-X00146	TC-X400VT-FL-NPT	A
APPROVED	DATE	SCALE:	FULL	THIRD ANGLE PROJECTION	SHEET: 1 OF 1
CJC	1/30/2017				

4

3

2

1