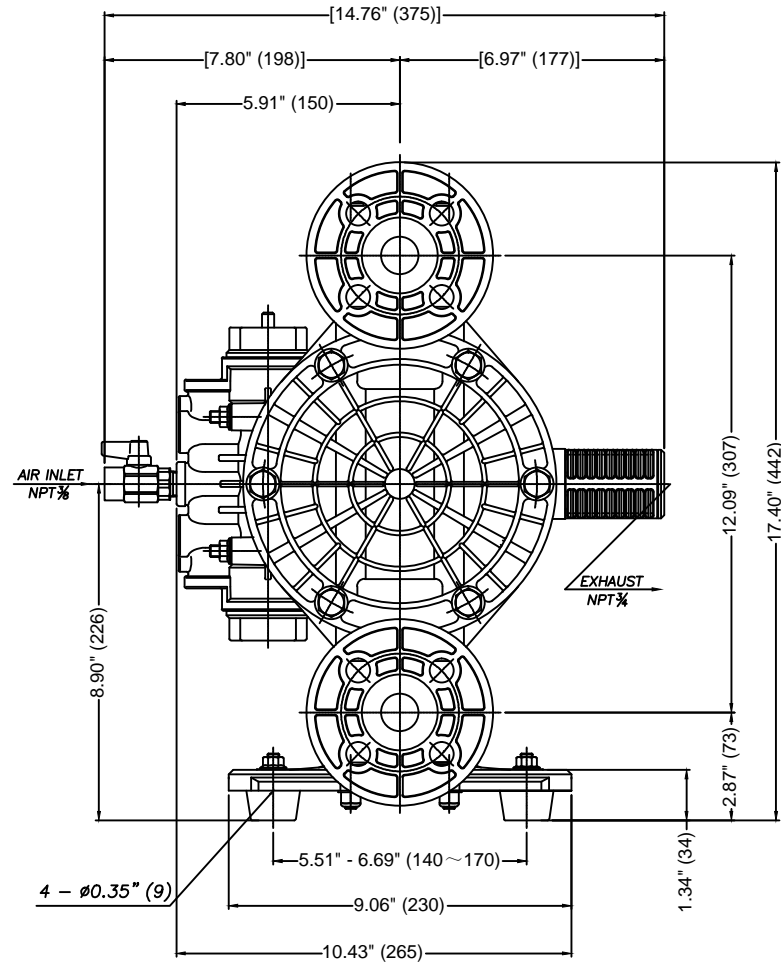
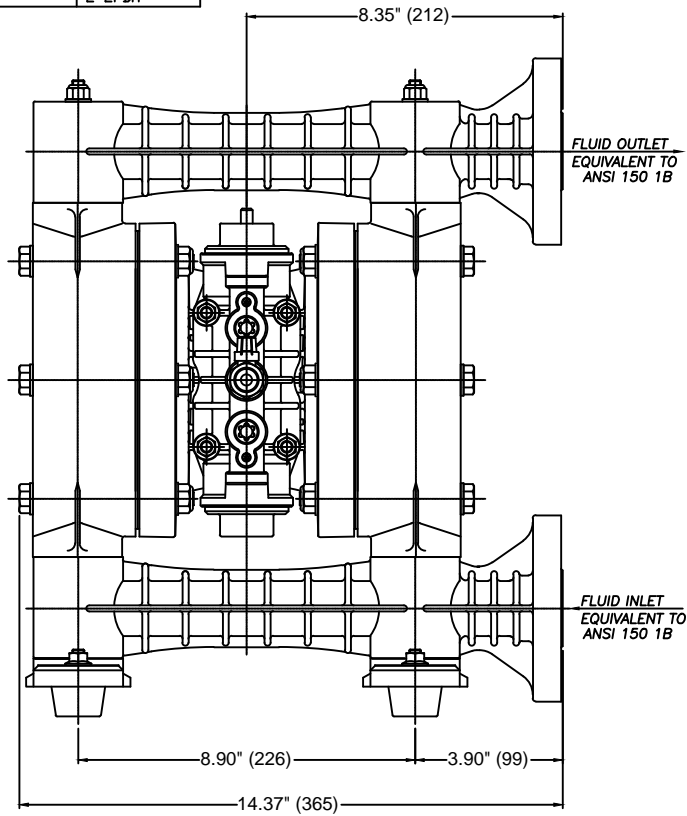


Materials of Construction	
PUMP BODY MATERIAL	PPG
	C=CR
	N=NBR
	T=PTFE
DIAPHRAGM MATERIAL	H=TPEE
	S=TPD
	V=FKM
	E=EPDM

REVISIONS			
REV	DESCRIPTION	DATE	APPROVED
A	RELEASED	9/30/2015	CJC

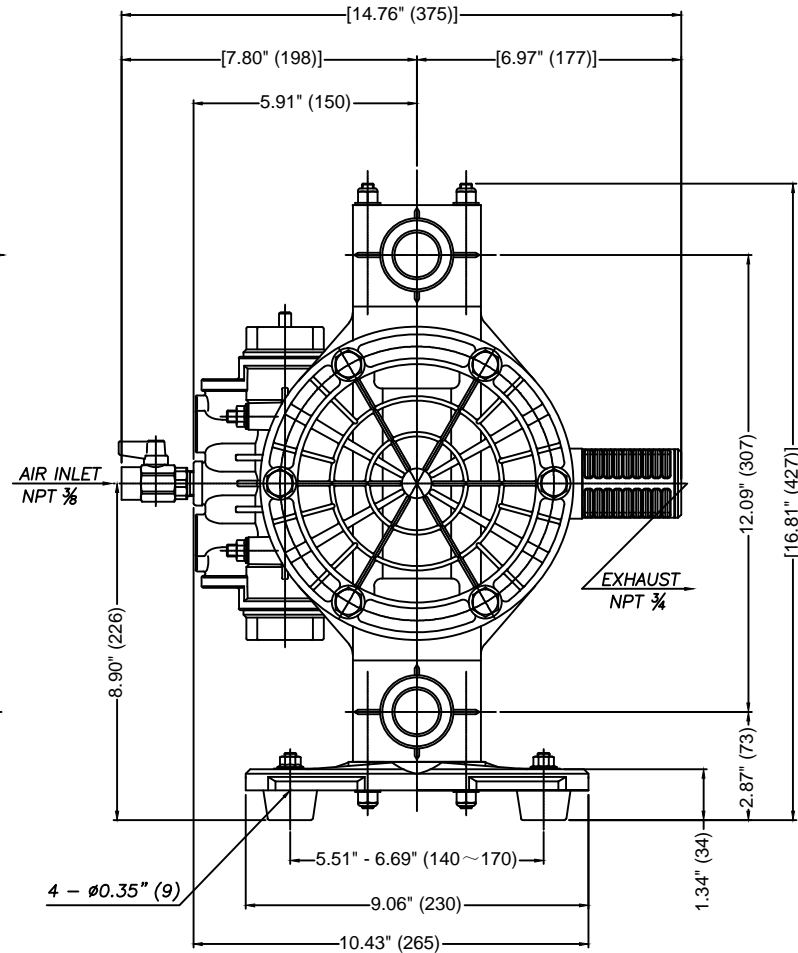
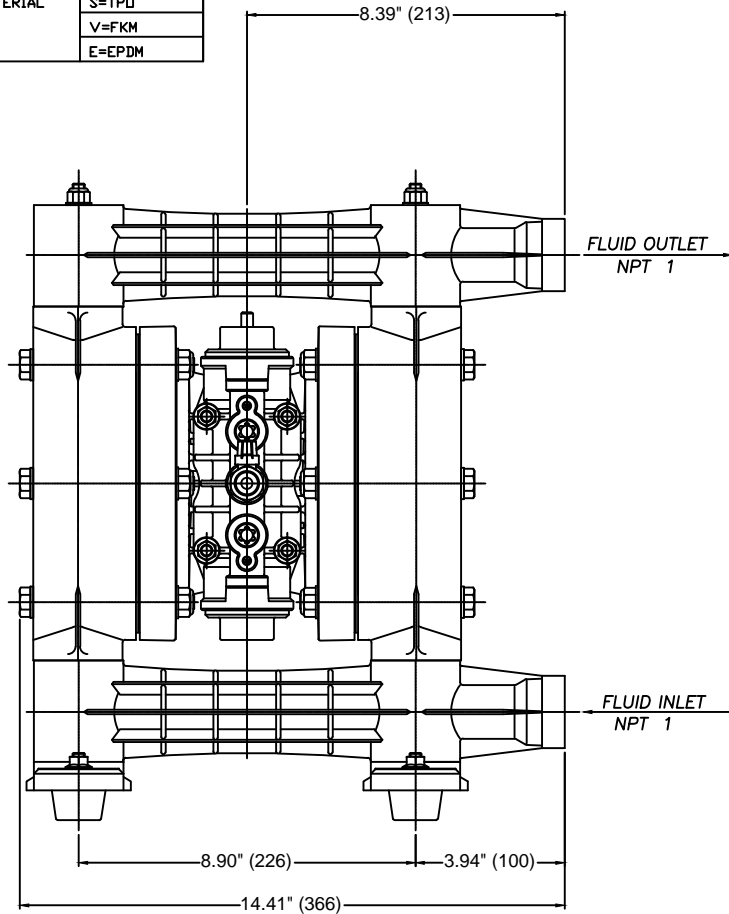


NOTES:
1. SOME FEATURES MAY VARY SLIGHTLY.


PROPRIETARY THIS DRAWING CONTAINS CONFIDENTIAL INFORMATION PROPRIETARY TO IWAKI AMERICA. IT MUST NOT BE REPRODUCED OR FORWARDED TO OTHERS OR USED IN ANY OTHER WAY, IN WHOLE OR IN PART, UNLESS AUTHORIZED IN WRITING BY IWAKI AMERICA.		TOLERANCES DIMENSIONS IN INCHES UNL UNLESS OTHERWISE NOTED X = .050 .XX = .010 .XXX = .005 DEBURR AND BREAK ALL SHARP EDGES		 www.lwakiAir.com		5 Boynton Rd. Hopping Brook Park Holliston, MA 01746 (508) 429-1440	
MATERIAL		SEE CHART		SCALE: FULL		THIRD ANGLE PROJECTION	
BY	DATE	SIZE	DWG NO.	DESCRIPTION	REV	SHEET: 1 OF 1	
TK	9/4/2015	B	TC-X00126	TC-X252P -FL	A		
APPROVED	DATE	SCALE: FULL		THIRD ANGLE PROJECTION		SHEET: 1 OF 1	
CJC	9/25/2015						

Materials of Construction	
PUMP BODY MATERIAL	PVDF
	T=PTFE
	H=TPEE
DIAPHRAGM MATERIAL	S=TPD
	V=FKM
	E=EPDM

REVISIONS			
REV	DESCRIPTION	DATE	APPROVED
A	RELEASED	9/30/2015	CJC

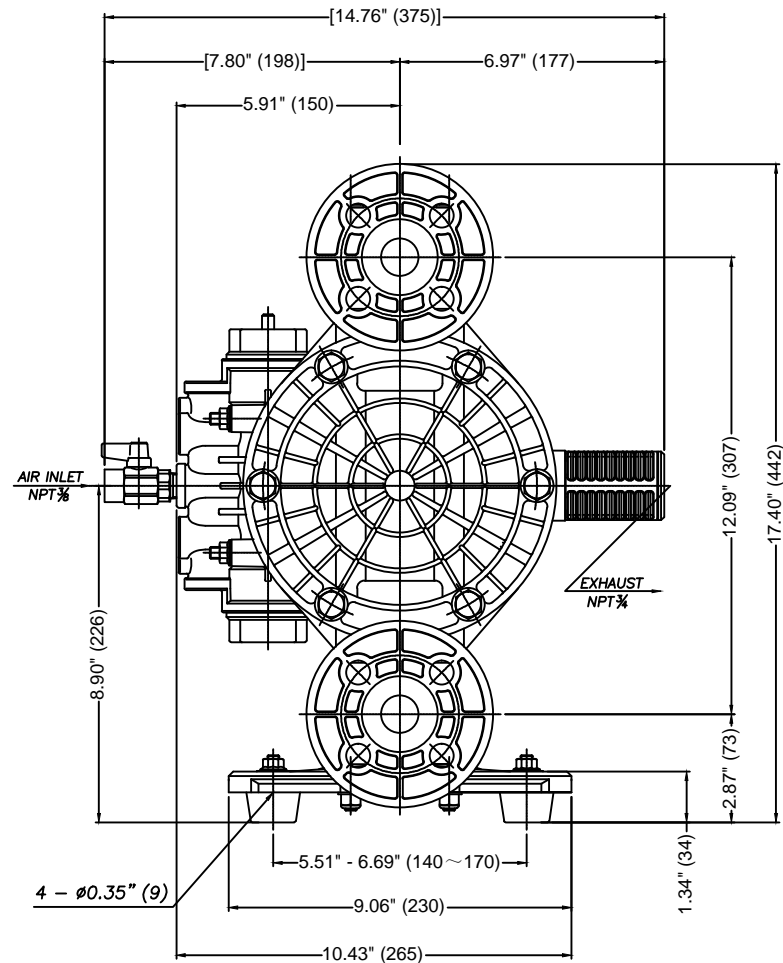
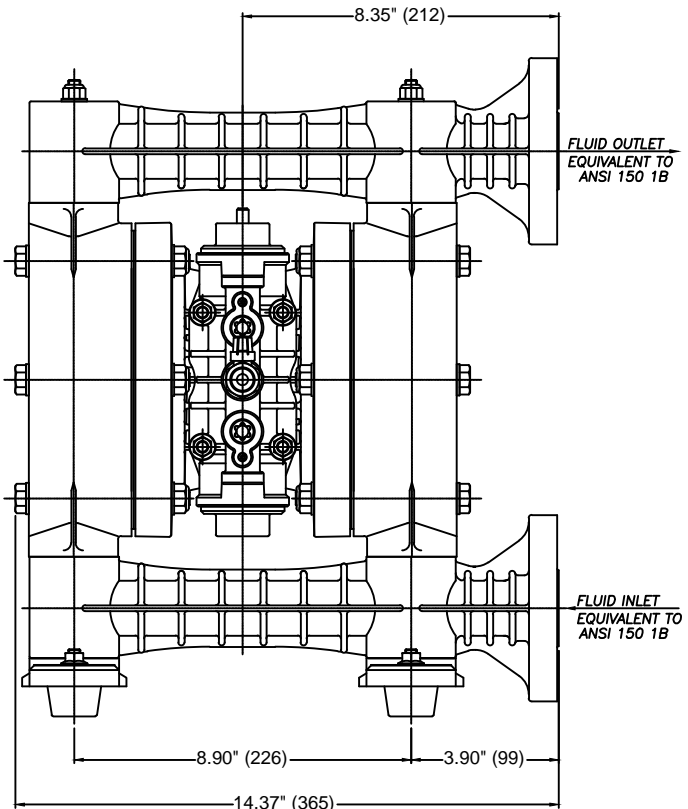


NOTES:
1. SOME FEATURES MAY VARY SLIGHTLY.

PROPRIETARY THIS DRAWING CONTAINS CONFIDENTIAL INFORMATION PROPRIETARY TO IWAKI AMERICA. IT MUST NOT BE REPRODUCED OR FORWARDED TO OTHERS OR USED IN ANY OTHER WAY, IN WHOLE OR IN PART, UNLESS AUTHORIZED IN WRITING BY IWAKI AMERICA.		TOLERANCES DIMENSIONS IN INCHES UNLESS OTHERWISE NOTED X = .050 .XX = .010 .XXX = .005 DEBURR AND BREAK ALL SHARP EDGES		 www.IwakiAir.com		5 Boynton Rd. Hopping Brook Park Holliston, MA 01746 (508) 429-1440	
MATERIAL		SEE CHART		SCALE: FULL		THIRD ANGLE PROJECTION	
BY	DATE	SIZE	DWG NO.	DESCRIPTION		REV	
TK	9/4/2015	B	TC-X00129	TC-X252V		A	
APPROVED	DATE	SCALE: FULL		THIRD ANGLE PROJECTION		SHEET: 1 OF 1	
CJC	9/25/2015						

Materials of Construction	
PUMP BODY MATERIAL	PVDF
	T=PTFE
DIAPHRAGM MATERIAL	H=TPEE
	S=TPD
	V=FKM
	E=EPDM

REVISIONS			
REV	DESCRIPTION	DATE	APPROVED
A	RELEASED	9/30/2015	CJC



NOTES:
1. SOME FEATURES MAY VARY SLIGHTLY.

PROPRIETARY <small>THIS DRAWING CONTAINS CONFIDENTIAL INFORMATION PROPRIETARY TO IWAKI AMERICA. IT MUST NOT BE REPRODUCED OR FORWARDED TO OTHERS OR USED IN ANY OTHER WAY, IN WHOLE OR IN PART, UNLESS AUTHORIZED IN WRITING BY IWAKI AMERICA.</small>		TOLERANCES <small>DIMENSIONS IN INCHES UNLESS OTHERWISE NOTED</small> X = .050 XX = .010 XXX = .005 <small>DEBURR AND BREAK ALL SHARP EDGES</small>		 www.lwakiAir.com 5 Boynton Rd. Hopping Brook Park Holliston, MA 01746 (508) 429-1440	
MATERIAL		SIZE		DESCRIPTION	
SEE CHART		B		TC-X00128 TC-X252V -FL	
BY TK	DATE 9/4/2015	APPROVED CJC	DATE 9/25/2015	SCALE: FULL	THIRD ANGLE PROJECTION
				SHEET: 1 OF 1	REV A

