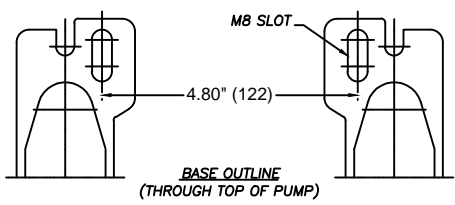
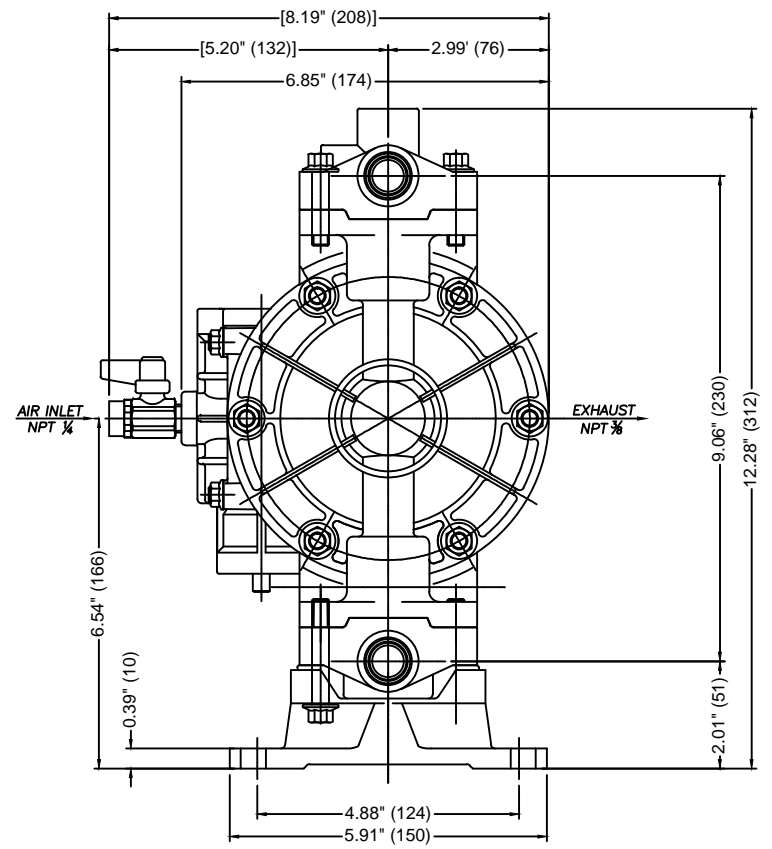
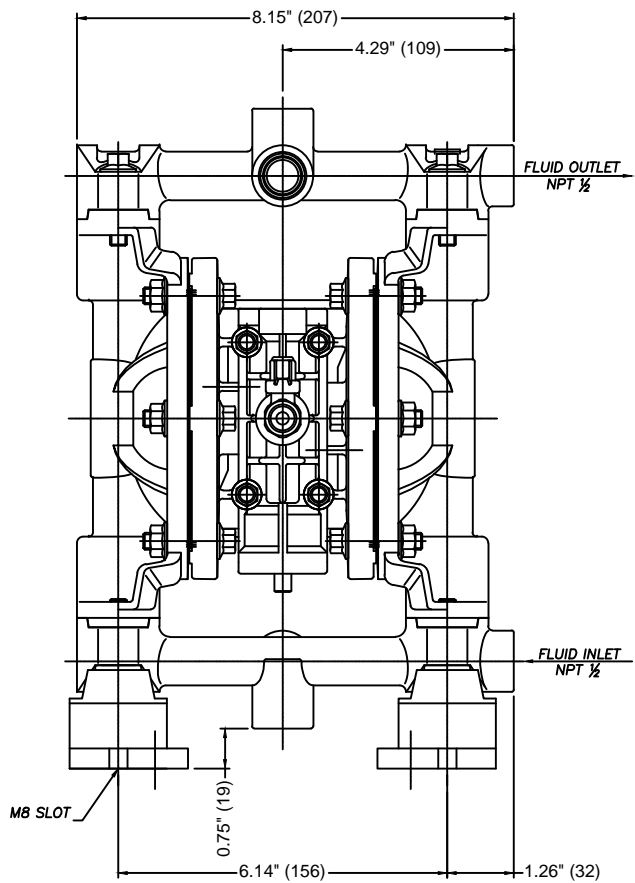


Materials of Construction	
PUMP BODY MATERIAL	AL
	C=CR
	N=NBR
DIAPHRAGM MATERIAL	T=PTFE
	H=TPPE
	S=TPD

REVISIONS			
REV	DESCRIPTION	DATE	APPROVED
A	RELEASED	9/30/2015	CJC



NOTES:  
1. SOME FEATURES MAY VARY SLIGHTLY.

**PROPRIETARY**  
THIS DRAWING CONTAINS CONFIDENTIAL INFORMATION PROPRIETARY TO IWAKI AMERICA. IT MUST NOT BE REPRODUCED OR FORWARDED TO OTHERS OR USED IN ANY OTHER WAY, IN WHOLE OR IN PART, UNLESS AUTHORIZED IN WRITING BY IWAKI AMERICA.

**TOLERANCES**  
DIMENSIONS IN INCHES UNLESS OTHERWISE NOTED  
X = .050  
.XX = .010  
.XXX = .005  
DEBURR AND BREAK ALL SHARP EDGES

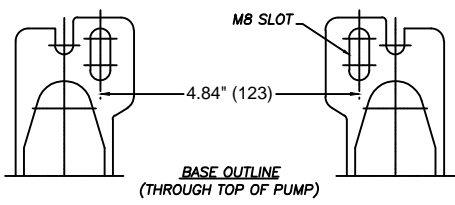
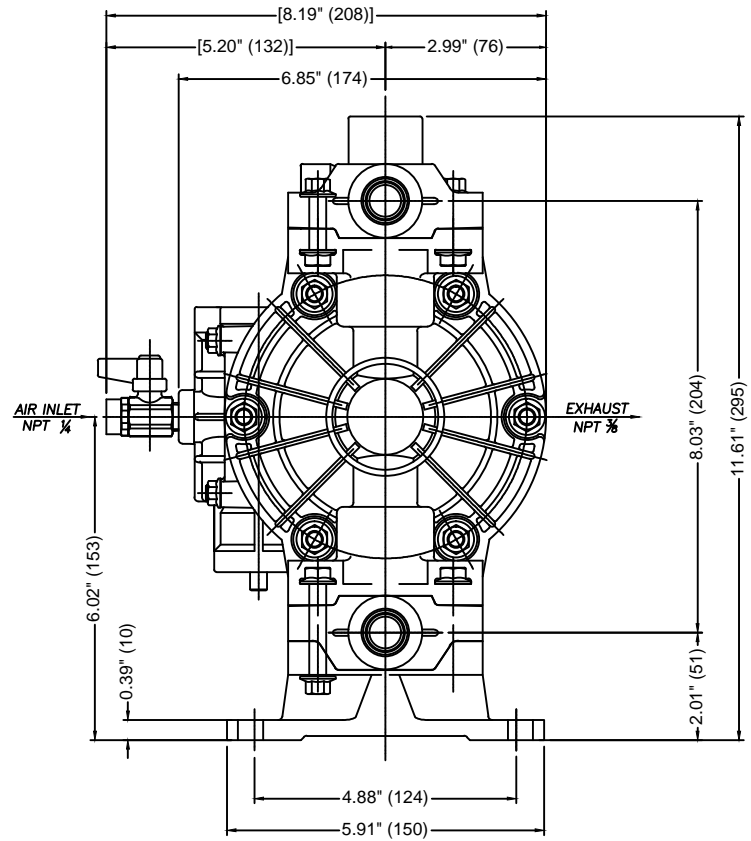
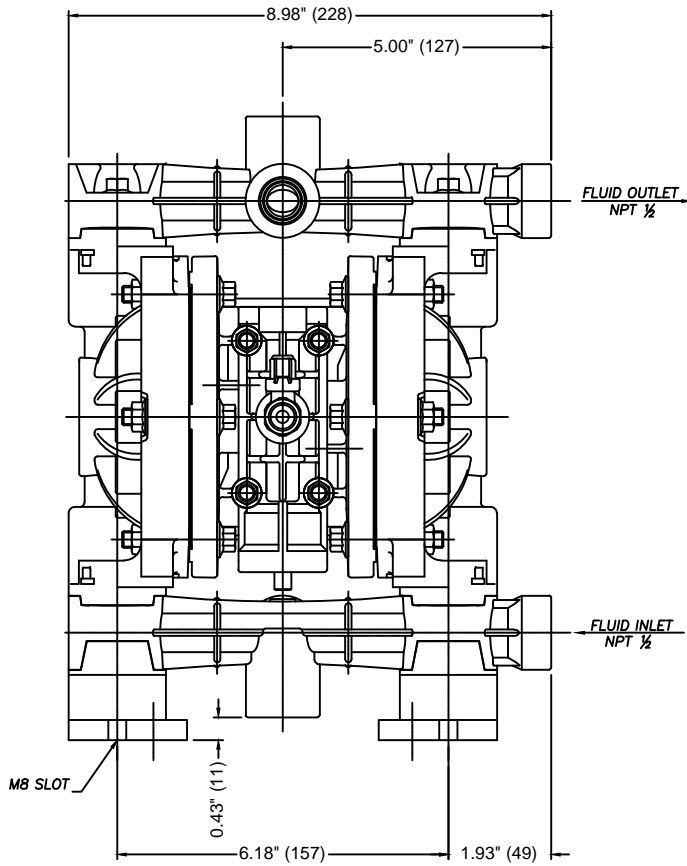


5 Boynton Rd.  
Hopping Brook Park  
Holliston, MA 01746  
(508) 429-1440


MATERIAL		SEE CHART		DESCRIPTION		REV	
BY	DATE	SIZE	DWG NO.	DESCRIPTION		REV	
TK	9/4/2015	B	TC-X00119	TC-X152A		A	
APPROVED	DATE	SCALE:	FULL	THIRD ANGLE PROJECTION	SHEET: 1 OF 1		
CJC	9/25/2015						

Materials of Construction	
PUMP BODY MATERIAL	PVDF
DIAPHRAGM MATERIAL	T=PTFE S=TPD

REVISIONS			
REV	DESCRIPTION	DATE	APPROVED
A	RELEASED	9/30/2015	CJC

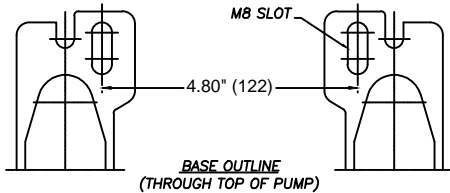
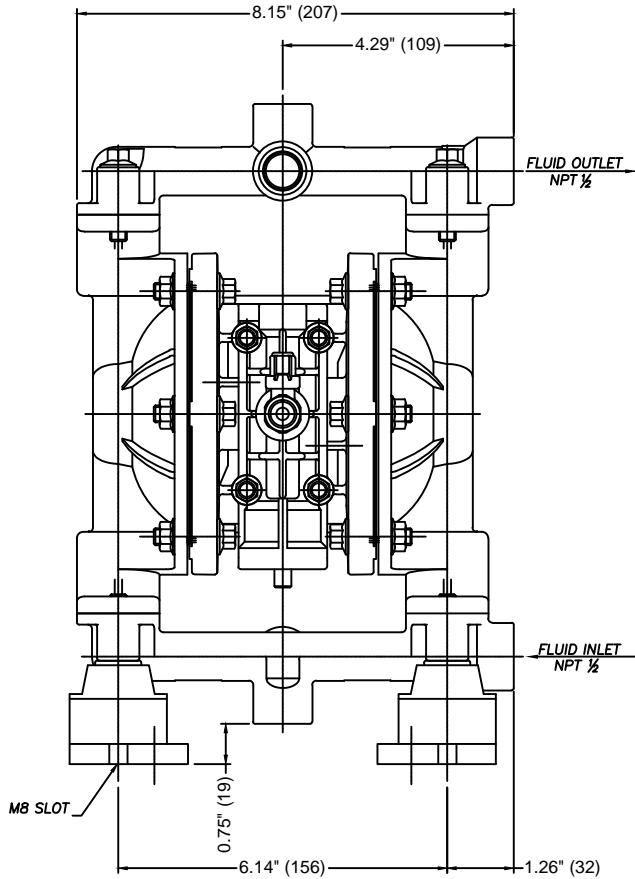


NOTES:  
1. SOME FEATURES MAY VARY SLIGHTLY.

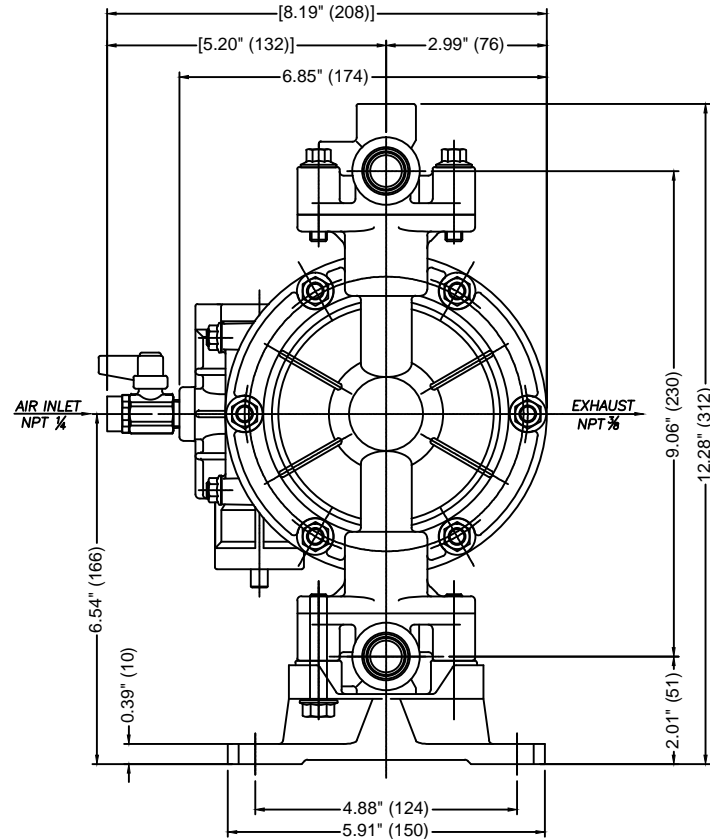
<b>PROPRIETARY</b> THIS DRAWING CONTAINS CONFIDENTIAL INFORMATION PROPRIETARY TO IWAKI AMERICA. IT MUST NOT BE REPRODUCED OR FORWARDED TO OTHERS OR USED IN ANY OTHER WAY, IN WHOLE OR IN PART, UNLESS AUTHORIZED IN WRITING BY IWAKI AMERICA.		<b>TOLERANCES</b> DIMENSIONS IN INCHES UNLESS OTHERWISE NOTED X = .050 .XX = .010 .XXX = .005 DEBURR AND BREAK ALL SHARP EDGES		 www.lwakiAir.com		5 Boynton Rd. Hopping Brook Park Holliston, MA 01746 (508) 429-1440	
MATERIAL		SEE CHART		SCALE: FULL		THIRD ANGLE PROJECTION	
BY	DATE	SIZE	DWG NO.	DESCRIPTION	REV	SHEET: 1 OF 1	
TK	9/4/2015	B	TC-X00123	TC-X152V	A		
APPROVED	DATE	SCALE: FULL		THIRD ANGLE PROJECTION		SHEET: 1 OF 1	
CJC	9/25/2015						


Materials of Construction	
PUMP BODY MATERIAL	SUS
	C=CR
	N=NBR
DIAPHRAGM MATERIAL	T=PTFE
	H=TPEE
	S=TPD

REVISIONS			
REV	DESCRIPTION	DATE	APPROVED
A	RELEASED	9/30/2015	CJC



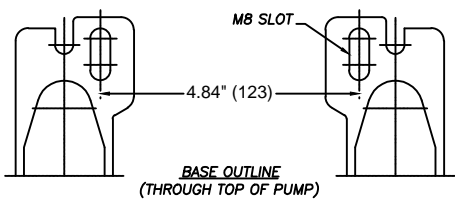
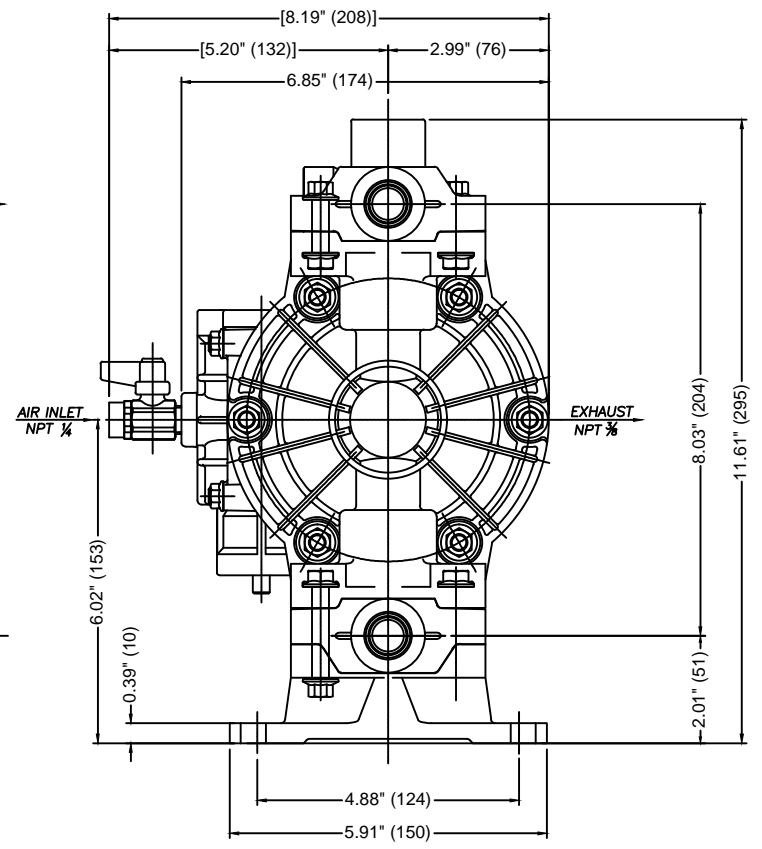
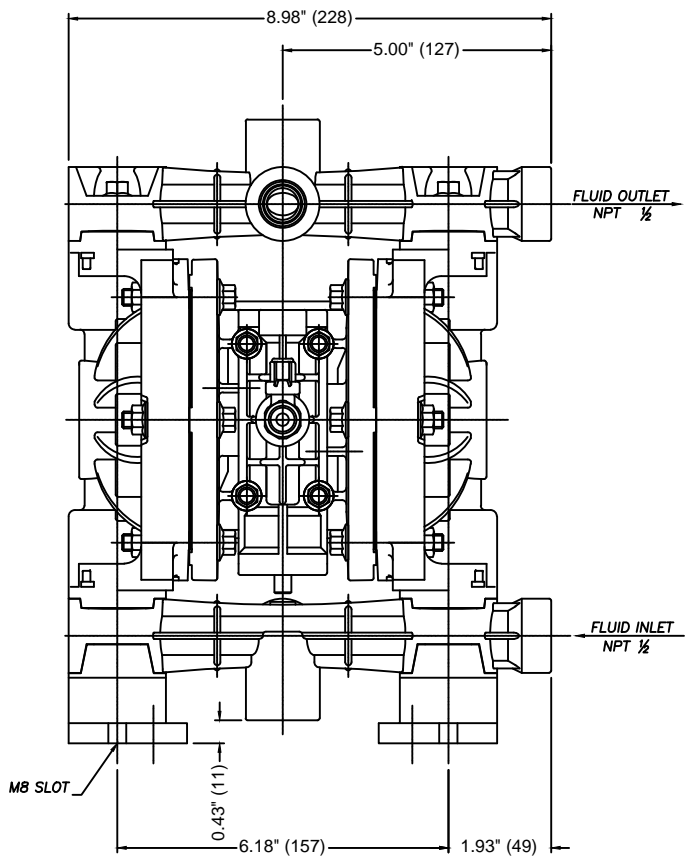
NOTES:  
1. SOME FEATURES MAY VARY SLIGHTLY.




<b>PROPRIETARY</b> THIS DRAWING CONTAINS CONFIDENTIAL INFORMATION PROPRIETARY TO IWAKI AMERICA. IT MUST NOT BE REPRODUCED OR FORWARDED TO OTHERS OR USED IN ANY OTHER WAY, IN WHOLE OR IN PART, UNLESS AUTHORIZED IN WRITING BY IWAKI AMERICA.		<b>TOLERANCES</b> DIMENSIONS IN INCHES UNLESS OTHERWISE NOTED X = .050 .XX = .010 .XXX = .005 DEBURR AND BREAK ALL SHARP EDGES		 www.IwakiAir.com 5 Boynton Rd. Hopping Brook Park Holliston, MA 01746 (508) 429-1440	
MATERIAL		SEE CHART		SCALE: FULL	
BY	DATE	SIZE	DWG NO.	DESCRIPTION	REV
TK	9/4/2015	B	TC-X00122	TC-X152S	A
APPROVED	DATE	SCALE: FULL		THIRD ANGLE PROJECTION	SHEET: 1 OF 1
CJC	9/25/2015				

Materials of Construction	
PUMP BODY MATERIAL	PURE POLY
	C=CR
	N=NBR
DIAPHRAGM MATERIAL	T=PTFE
	H=TPEE
	S=TPD

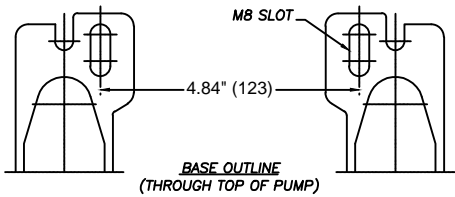
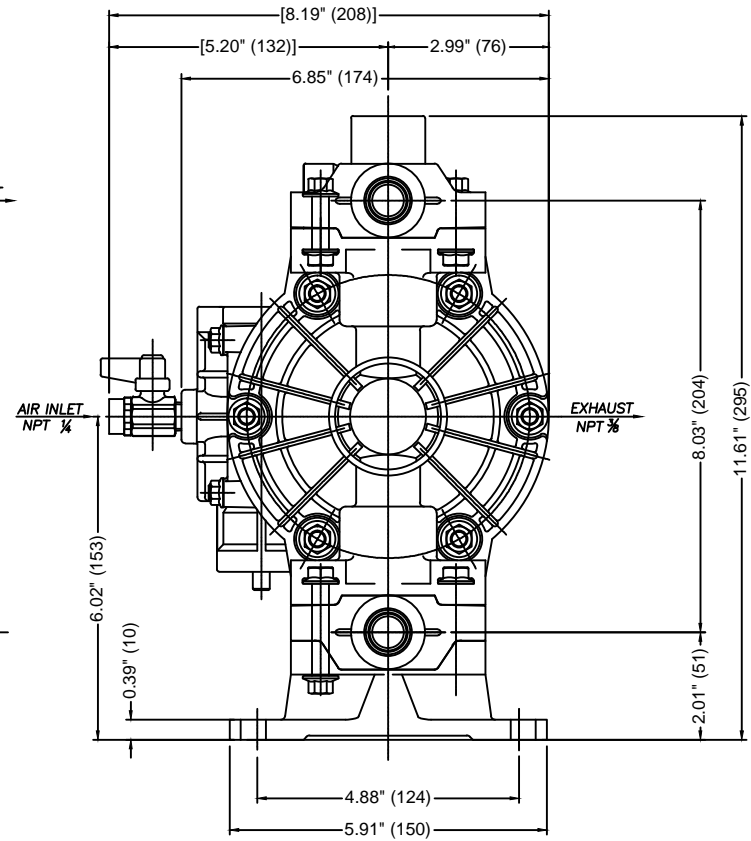
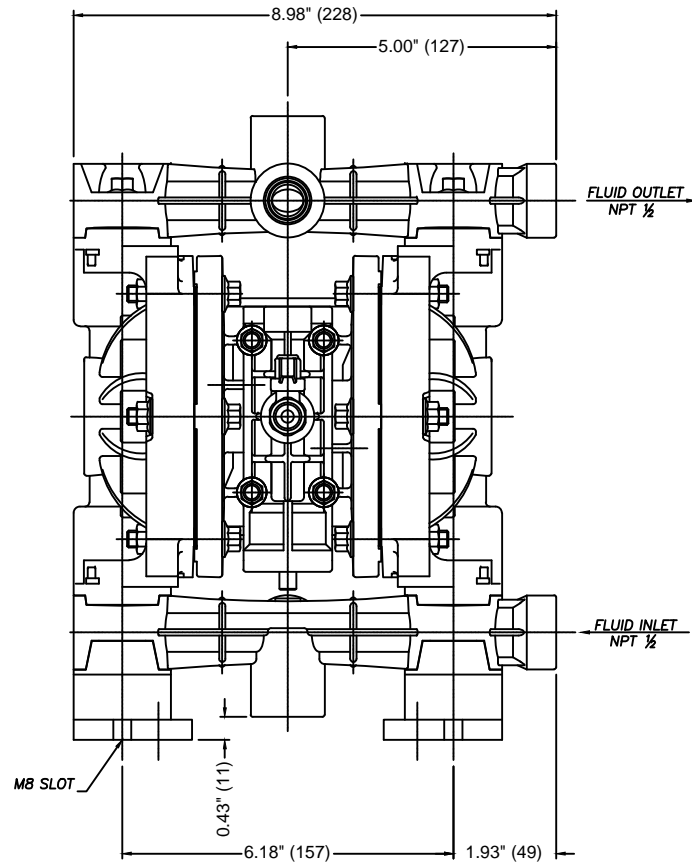
REVISIONS			
REV	DESCRIPTION	DATE	APPROVED
A	RELEASED	9/30/2015	CJC




NOTES:  
1. SOME FEATURES MAY VARY SLIGHTLY.

<b>PROPRIETARY</b> THIS DRAWING CONTAINS CONFIDENTIAL INFORMATION PROPRIETARY TO IWAKI AMERICA. IT MUST NOT BE REPRODUCED OR FORWARDED TO OTHERS OR USED IN ANY OTHER WAY, IN WHOLE OR IN PART, UNLESS AUTHORIZED IN WRITING BY IWAKI AMERICA.		<b>TOLERANCES</b> DIMENSIONS IN INCHES OVD UNLESS OTHERWISE NOTED X = .050 .XX = .010 .XXX = .005 DEBURR AND BREAK ALL SHARP EDGES		 www.lwakiAir.com 5 Boynton Rd. Hopping Brook Park Holliston, MA 01746 (508) 429-1440	
MATERIAL		SEE CHART		DESCRIPTION	
BY	DATE	SIZE	DWG NO.	DESCRIPTION	REV
TK	9/4/2015	B	TC-X00121	TC-X152P -PP	A
APPROVED	DATE	SCALE:	THIRD ANGLE PROJECTION	SHEET:	1 OF 1
CJC	9/25/2015	FULL	☉		

REVISIONS			
REV	DESCRIPTION	DATE	APPROVED
A	RELEASED	9/30/2015	CJC



NOTES:  
1. SOME FEATURES MAY VARY SLIGHTLY.

<b>PROPRIETARY</b> <small>THIS DRAWING CONTAINS CONFIDENTIAL INFORMATION PROPRIETARY TO IWAKI AMERICA. IT MUST NOT BE REPRODUCED OR FORWARDED TO OTHERS OR USED IN ANY OTHER WAY, IN WHOLE OR IN PART, UNLESS AUTHORIZED IN WRITING BY IWAKI AMERICA.</small>		<b>TOLERANCES</b> <small>DIMENSIONS IN INCHES UNLESS OTHERWISE NOTED  X = .050  XX = .010  XXX = .005</small>		 www.IwakiAir.com		5 Boynton Rd. Hopping Brook Park Holliston, MA 01746 (508) 429-1440	
<b>MATERIAL</b> POM/PTFE		<small>DEBURR AND BREAK ALL SHARP EDGES</small>		<b>DESCRIPTION</b> TC-X152DT		<b>REV</b> A	
<b>BY</b> TK	<b>DATE</b> 9/4/2015	<b>SIZE</b> B	<b>DWG NO.</b> TC-X00120	<b>SCALE:</b> FULL		<b>SHEET:</b> 1 OF 1	
<b>APPROVED</b> CJC	<b>DATE</b> 9/25/2015	<b>THIRD ANGLE PROJECTION</b>					