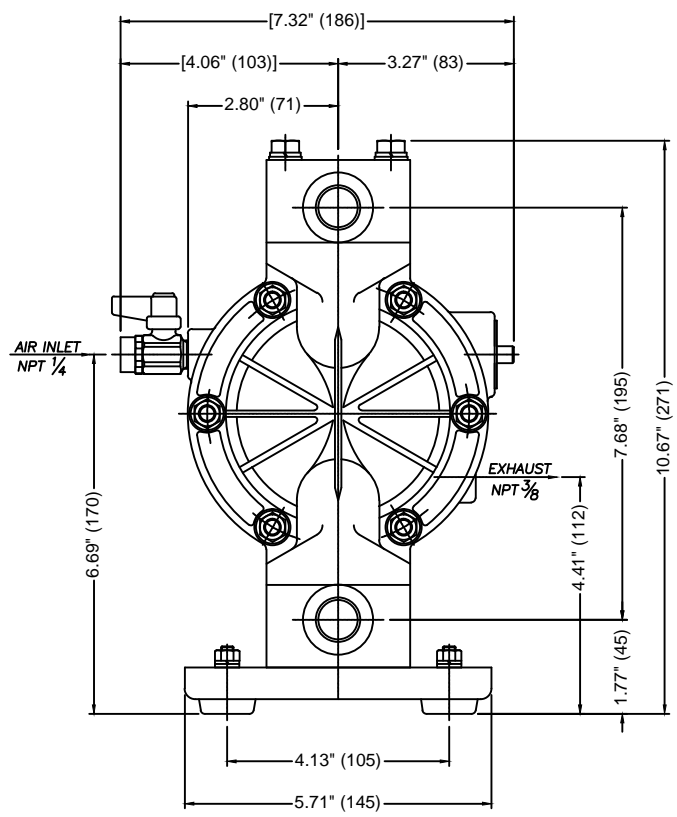
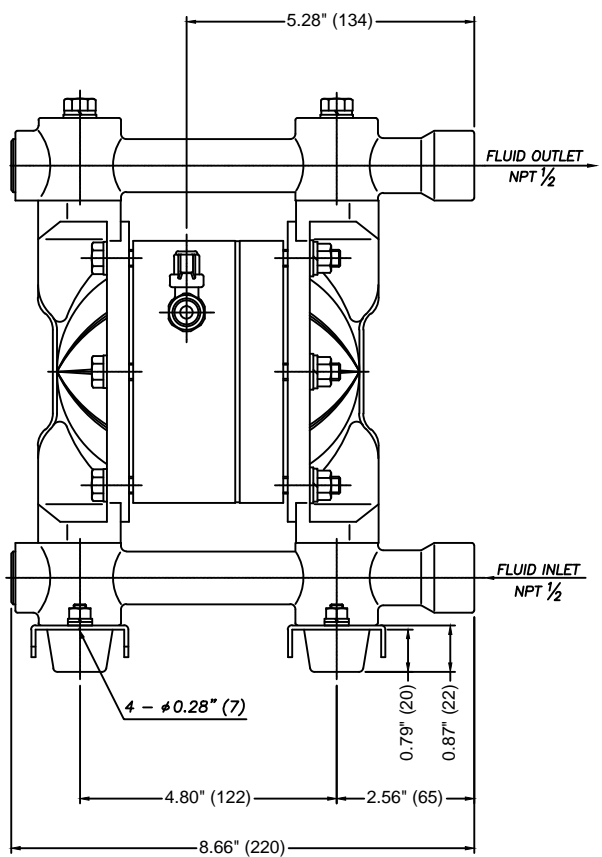



Materials of Construction	
PUMP BODY MATERIAL	AL
	C=CR
	N=NBR
DIAPHRAGM MATERIAL	T=PTFE
	H=TPEE
	S=TPD

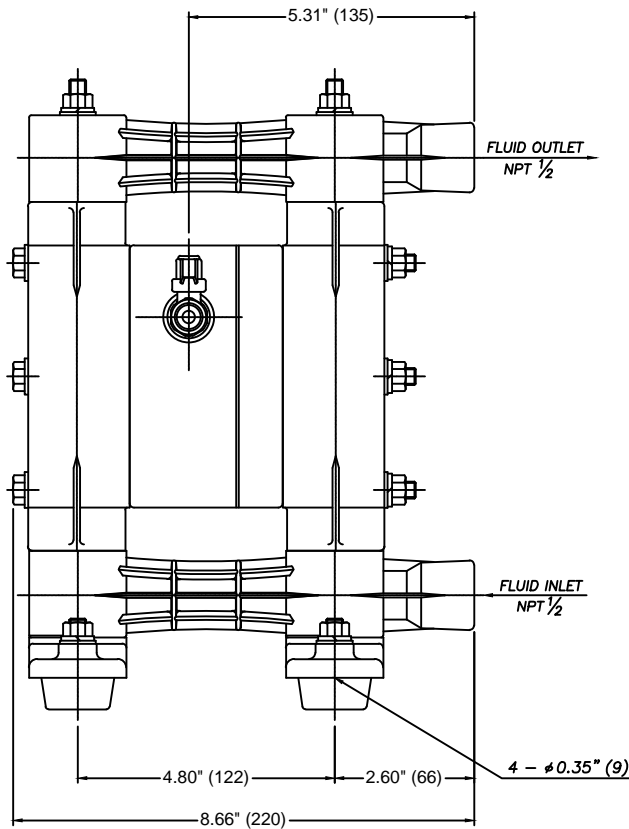
REVISIONS			
REV	DESCRIPTION	DATE	APPROVED
A	RELEASED	9/30/2015	CJC



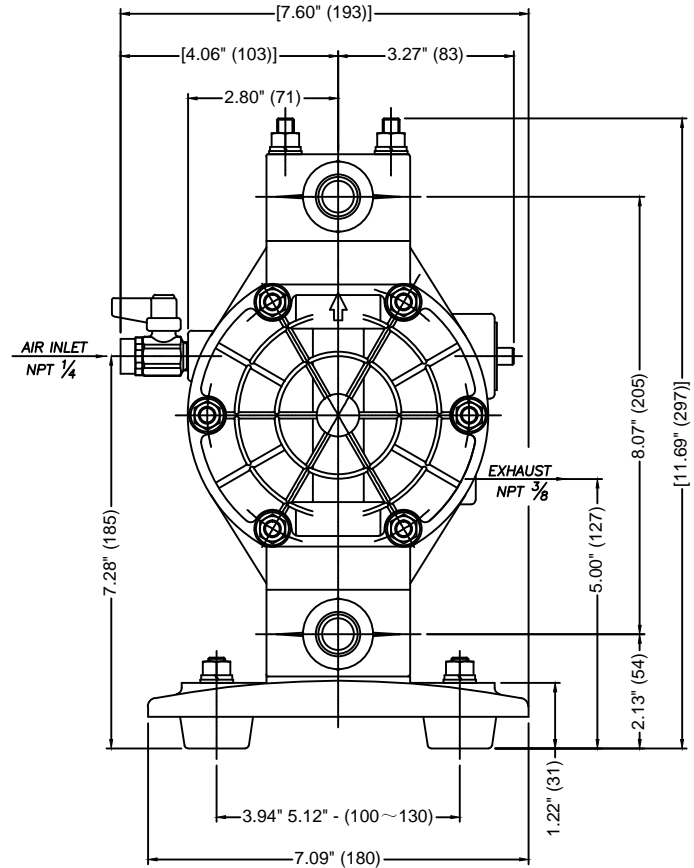
NOTES:
1. SOME FEATURES MAY VARY SLIGHTLY.

PROPRIETARY THIS DRAWING CONTAINS CONFIDENTIAL INFORMATION PROPRIETARY TO IWAKI AMERICA. IT MUST NOT BE REPRODUCED OR FORWARDED TO OTHERS OR USED IN ANY OTHER WAY, IN WHOLE OR IN PART, UNLESS AUTHORIZED IN WRITING BY IWAKI AMERICA.		TOLERANCES DIMENSIONS IN INCHES UNLESS OTHERWISE NOTED X = .050 .XX = .010 .XXX = .005 DEBURR AND BREAK ALL SHARP EDGES		 www.IwakiAir.com		5 Boynton Rd. Hopping Brook Park Holliston, MA 01746 (508) 429-1440	
MATERIAL		SEE CHART		SCALE: FULL		THIRD ANGLE PROJECTION	
BY	DATE	SIZE	DWG NO.	DESCRIPTION		REV	
TK	9/4/2015	B	TC-X00114	TC-X151A		A	
APPROVED	DATE	SCALE: FULL		THIRD ANGLE PROJECTION		SHEET: 1 OF 1	
CJC	9/25/2015						


Materials of Construction	
PUMP BODY MATERIAL	PVDF
	C=CR
	N=NBR
DIAPHRAGM MATERIAL	T=PTFE
	H=TPEE
	S=TPD



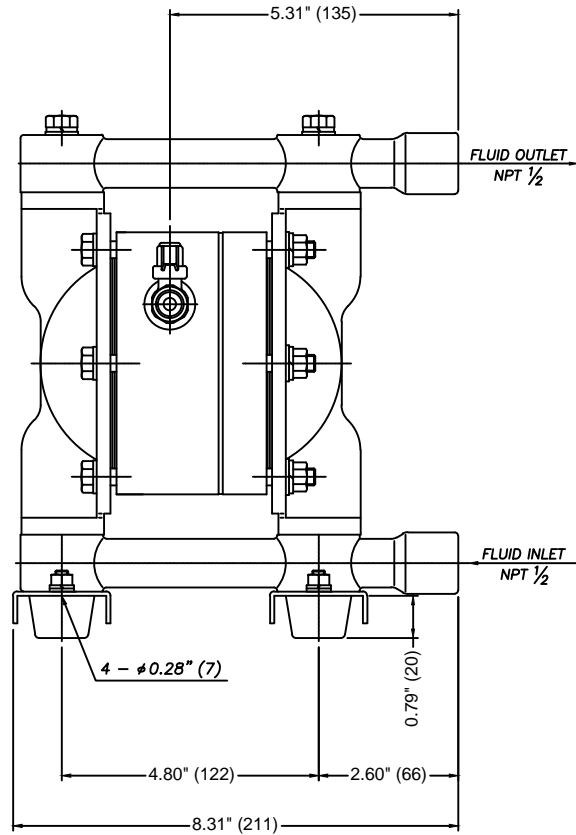
REVISIONS			
REV	DESCRIPTION	DATE	APPROVED
A	RELEASED	9/30/2015	CJC



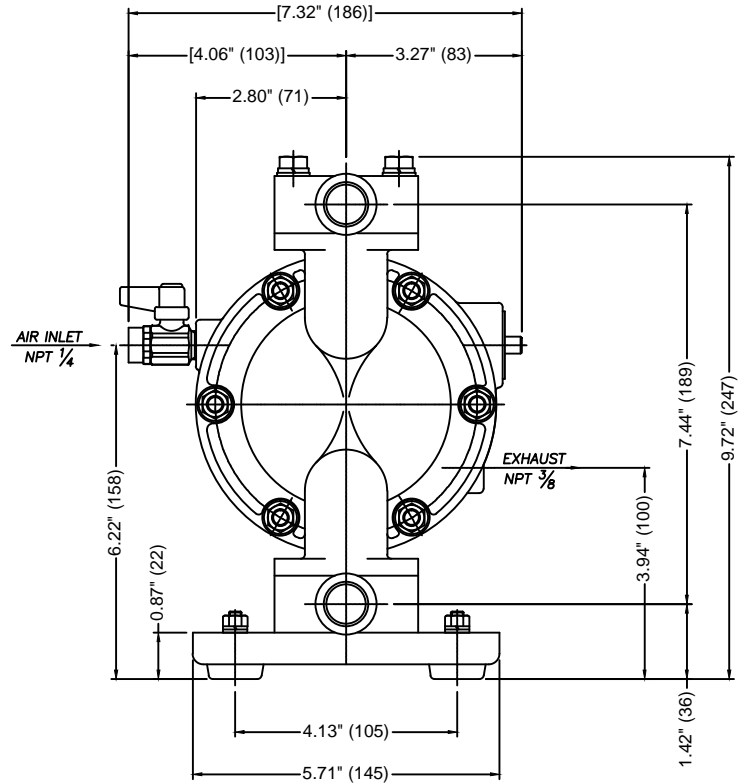
NOTES:
1. SOME FEATURES MAY VARY SLIGHTLY.

PROPRIETARY THIS DRAWING CONTAINS CONFIDENTIAL INFORMATION PROPRIETARY TO IWAKI AMERICA. IT MUST NOT BE REPRODUCED OR FORWARDED TO OTHERS OR USED IN ANY OTHER WAY, IN WHOLE OR IN PART, UNLESS AUTHORIZED IN WRITING BY IWAKI AMERICA.		TOLERANCES DIMENSIONS IN INCHES UNLESS OTHERWISE NOTED X = .050 .XX = .010 .XXX = .005 DEBURR AND BREAK ALL SHARP EDGES		 www.IwakiAir.com		5 Boynton Rd. Hopping Brook Park Holliston, MA 01746 (508) 429-1440	
MATERIAL		SEE CHART		SCALE: FULL		THIRD ANGLE PROJECTION	
BY	DATE	SIZE	DWG NO.	DESCRIPTION		REV	
TK	9/4/2015	B	TC-X00118	TC-X151V		A	
APPROVED	DATE	SCALE: FULL		THIRD ANGLE PROJECTION		SHEET: 1 OF 1	
CJC	9/25/2015						


Materials of Construction	
PUMP BODY MATERIAL	SUS
	C=CR
	N=NBR
DIAPHRAGM MATERIAL	T=PTFE
	H=TPEE
	S=TPO



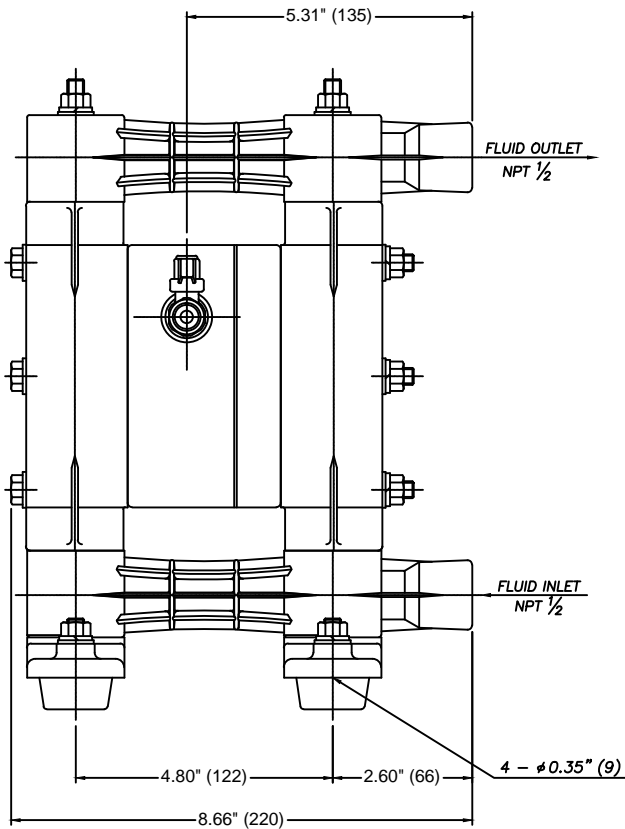
REVISIONS			
REV	DESCRIPTION	DATE	APPROVED
A	RELEASED	9/30/2015	CJC



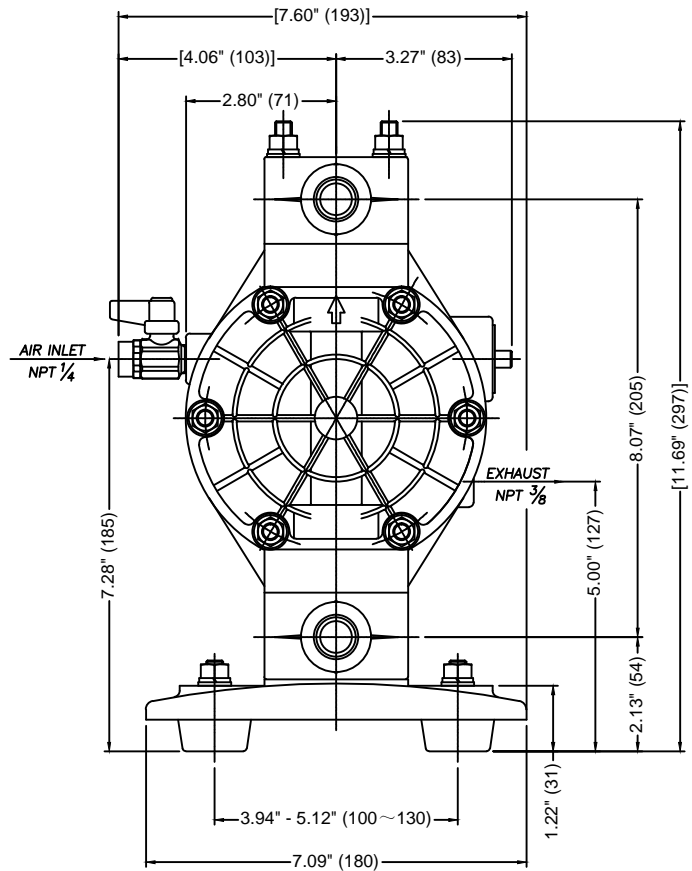
NOTES:
1. SOME FEATURES MAY VARY SLIGHTLY.

PROPRIETARY THIS DRAWING CONTAINS CONFIDENTIAL INFORMATION PROPRIETARY TO IWAKI AMERICA. IT MUST NOT BE REPRODUCED OR FORWARDED TO OTHERS OR USED IN ANY OTHER WAY, IN WHOLE OR IN PART, UNLESS AUTHORIZED IN WRITING BY IWAKI AMERICA.		TOLERANCES DIMENSIONS IN INCHES UNL UNLESS OTHERWISE NOTED X = .050 .XX = .010 .XXX = .005 DEBURR AND BREAK ALL SHARP EDGES		 www.lwakiAir.com		5 Boynton Rd. Hopping Brook Park Holliston, MA 01746 (508) 429-1440	
MATERIAL		SEE CHART		SCALE: FULL		THIRD ANGLE PROJECTION	
BY	DATE	SIZE	DWG NO.	DESCRIPTION		REV	
TK	9/4/2015	B	TC-X00117	TC-X151S		A	
APPROVED	DATE	SCALE: FULL		THIRD ANGLE PROJECTION		SHEET: 1 OF 1	
CJC	9/25/2015						

Materials of Construction	
PUMP BODY MATERIAL	PPG
	C=CR
	N=NBR
DIAPHRAGM MATERIAL	T=PTFE
	H=TPEE
	S=TPD



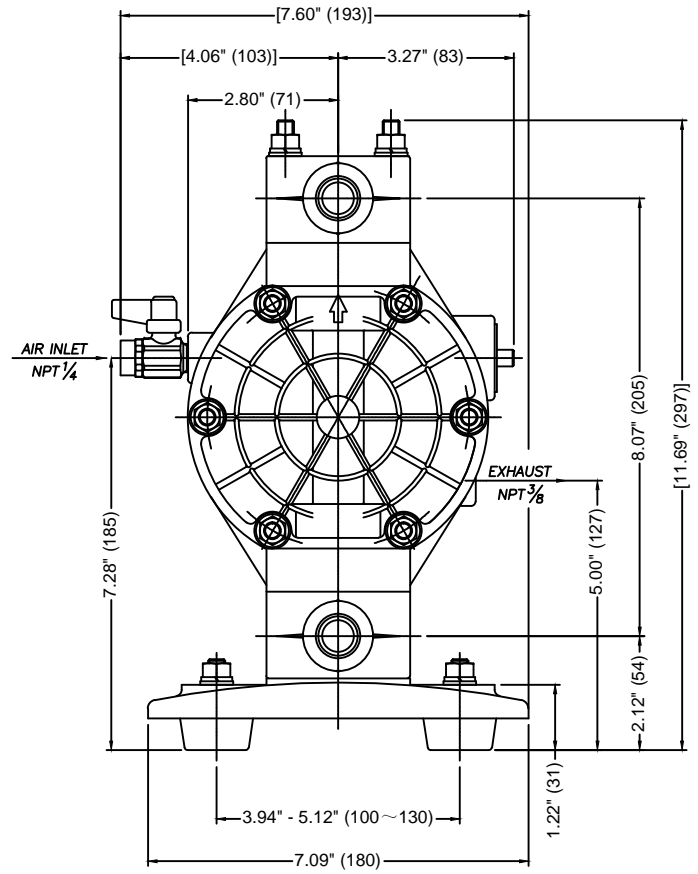
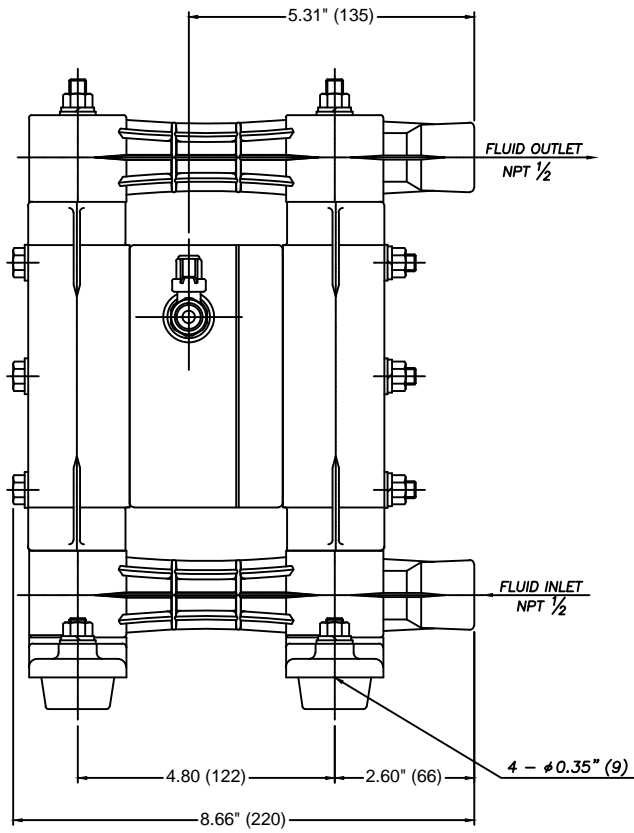
REVISIONS			
REV	DESCRIPTION	DATE	APPROVED
A	RELEASED	9/30/2015	CJC




NOTES:
1. SOME FEATURES MAY VARY SLIGHTLY.

PROPRIETARY THIS DRAWING CONTAINS CONFIDENTIAL INFORMATION PROPRIETARY TO IWAKI AMERICA. IT MUST NOT BE REPRODUCED OR FORWARDED TO OTHERS OR USED IN ANY OTHER WAY, IN WHOLE OR IN PART, UNLESS AUTHORIZED IN WRITING BY IWAKI AMERICA.		TOLERANCES DIMENSIONS IN INCHES UNLESS OTHERWISE NOTED X = .050 .XX = .010 .XXX = .005 DEBURR AND BREAK ALL SHARP EDGES		 www.IwakiAir.com 5 Boynton Rd. Hopping Brook Park Holliston, MA 01746 (508) 429-1440	
MATERIAL		SEE CHART		SCALE: FULL	
BY	DATE	SIZE	DWG NO.	DESCRIPTION	REV
TK	9/4/2015	B	TC-X00116	TC-X151P	A
APPROVED	DATE	THIRD ANGLE PROJECTION		SHEET:	1 OF 1
CJC	9/25/2015				

REVISIONS			
REV	DESCRIPTION	DATE	APPROVED
A	RELEASED	9/30/2015	CJC



NOTES:
1. SOME FEATURES MAY VARY SLIGHTLY.

PROPRIETARY THIS DRAWING CONTAINS CONFIDENTIAL INFORMATION PROPRIETARY TO IWAKI AMERICA. IT MUST NOT BE REPRODUCED OR FORWARDED TO OTHERS OR USED IN ANY OTHER WAY, IN WHOLE OR IN PART, UNLESS AUTHORIZED IN WRITING BY IWAKI AMERICA.		TOLERANCES DIMENSIONS IN INCHES UNLESS OTHERWISE NOTED X = .050 .XX = .010 .XXX = .005 DEBURR AND BREAK ALL SHARP EDGES		 www.IwakiAir.com		5 Boynton Rd. Hopping Brook Park Holliston, MA 01746 (508) 429-1440	
MATERIAL		POM/PTFE		SCALE: FULL		THIRD ANGLE PROJECTION	
BY	DATE	SIZE	DWG NO.	DESCRIPTION		REV	
TK	9/4/2015	B	TC-X00115	TC-X151DT		A	
APPROVED	DATE	SCALE: FULL		THIRD ANGLE PROJECTION		SHEET: 1 OF 1	
CJC	9/25/2015						