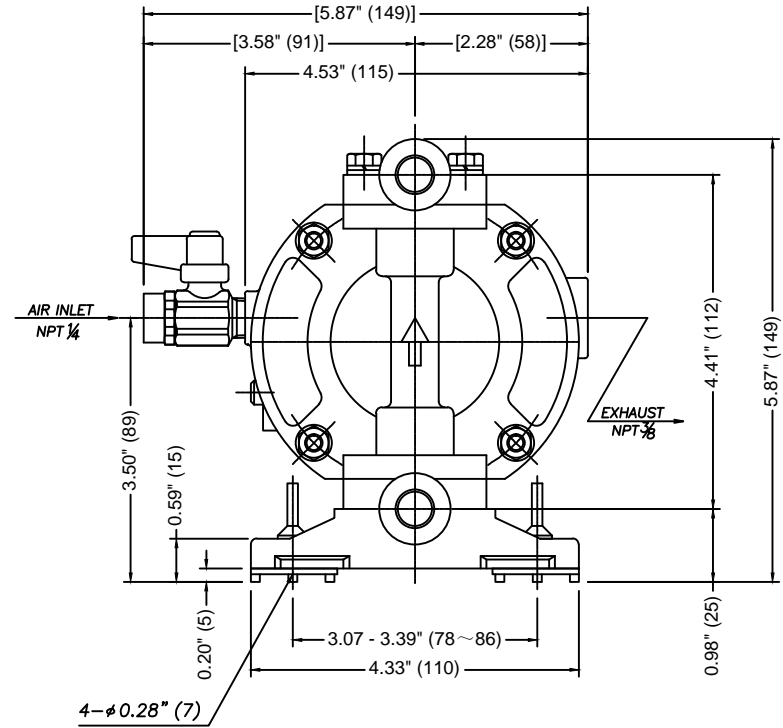
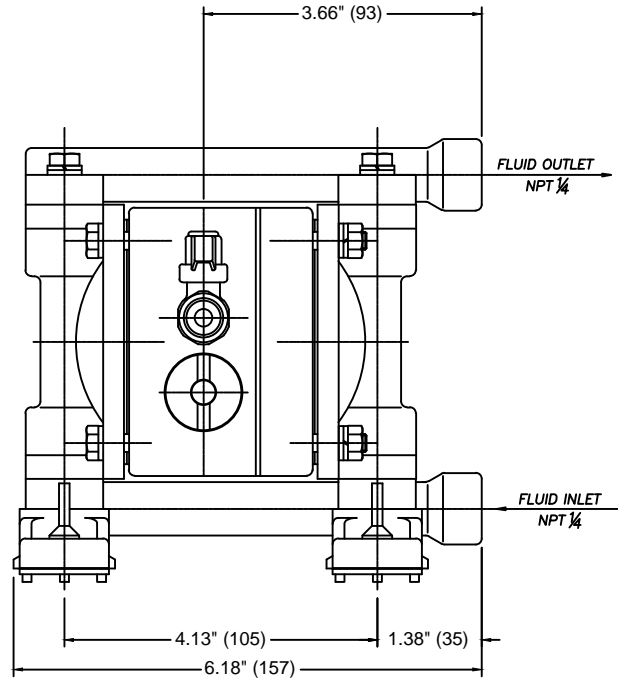



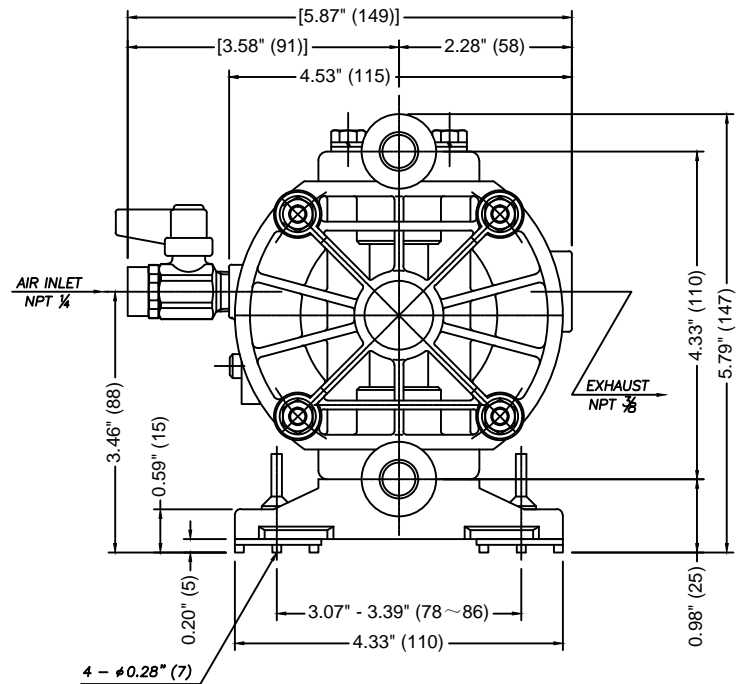
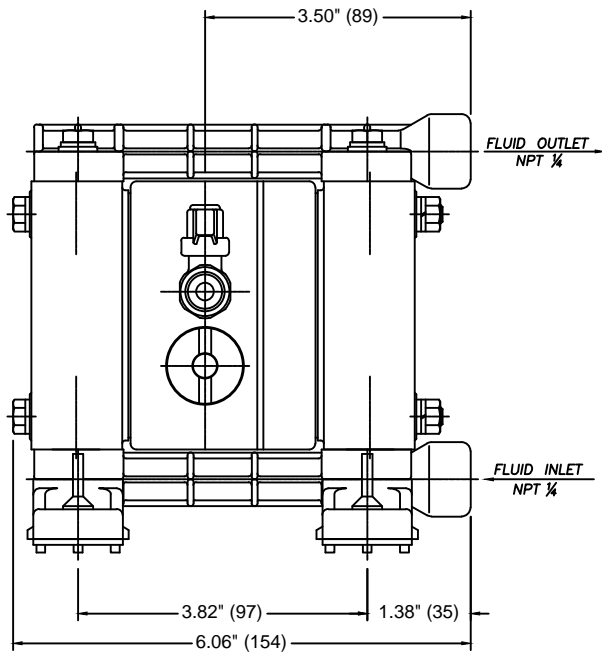
REVISIONS			
REV	DESCRIPTION	DATE	APPROVED
A	RELEASED	9/30/2015	CJC




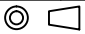
NOTES:
1. SOME FEATURES MAY VARY SLIGHTLY.

PROPRIETARY THIS DRAWING CONTAINS CONFIDENTIAL INFORMATION PROPRIETARY TO IWAKI AMERICA. IT MUST NOT BE REPRODUCED OR FORWARDED TO OTHERS OR USED IN ANY OTHER WAY, IN WHOLE OR IN PART, UNLESS AUTHORIZED IN WRITING BY IWAKI AMERICA.		TOLERANCES DIMENSIONS IN INCHES UNLESS OTHERWISE NOTED X = .050 .XX = .010 .XXX = .005 DEBURR AND BREAK ALL SHARP EDGES		 www.IwakiAir.com		5 Boynton Rd. Hopping Brook Park Holliston, MA 01746 (508) 429-1440					
MATERIAL		AL/PTFE		SIZE		DWG NO.		DESCRIPTION		REV	
BY		DATE		B		TC-X00101		TC-X050AT		A	
TK		9/4/2015		SCALE: FULL		THIRD ANGLE PROJECTION		SHEET:		1 OF 1	
APPROVED		DATE		CJC		9/25/2015					

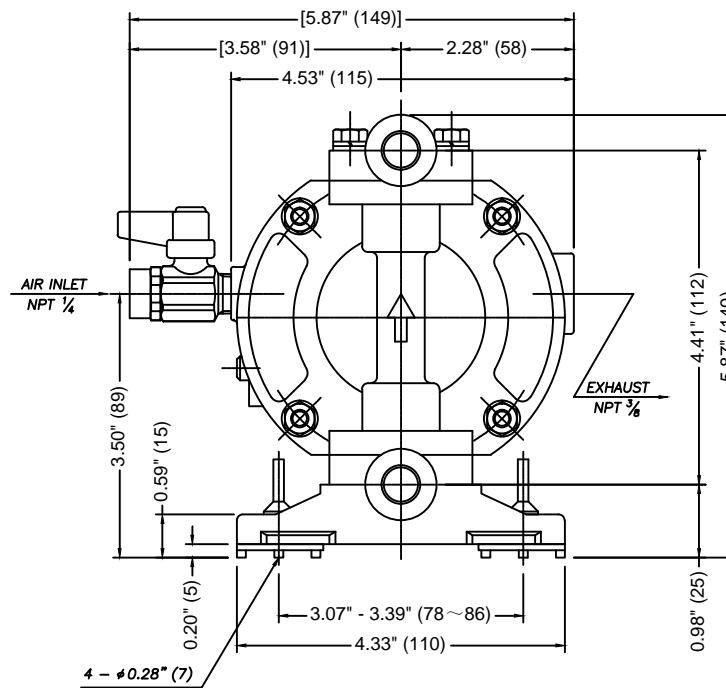
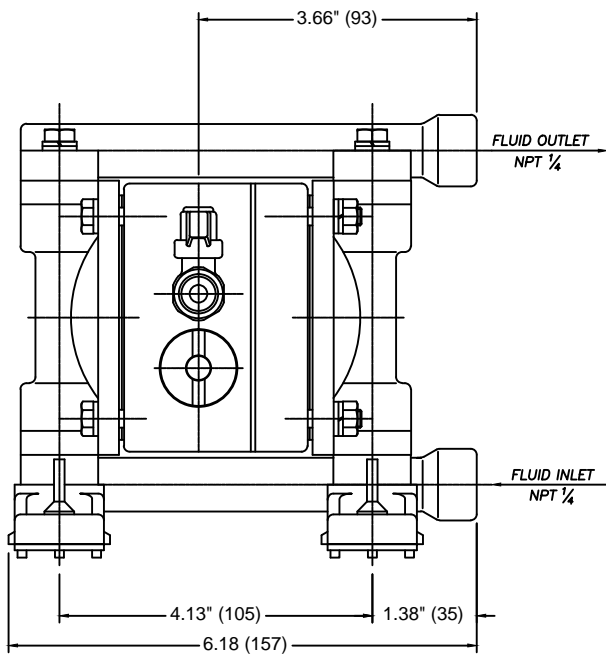
REVISIONS			
REV	DESCRIPTION	DATE	APPROVED
A	RELEASED	9/30/2015	CJC




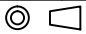
NOTES:
1. SOME FEATURES MAY VARY SLIGHTLY.

PROPRIETARY THIS DRAWING CONTAINS CONFIDENTIAL INFORMATION PROPRIETARY TO IWAKI AMERICA. IT MUST NOT BE REPRODUCED OR FORWARDED TO OTHERS OR USED IN ANY OTHER WAY, IN WHOLE OR IN PART, UNLESS AUTHORIZED IN WRITING BY IWAKI AMERICA.		TOLERANCES DIMENSIONS IN INCHES UNLESS OTHERWISE NOTED X = .050 .XX = .010 .XXX = .005 DEBURR AND BREAK ALL SHARP EDGES		 www.IwakiAir.com		5 Boynton Rd. Hopping Brook Park Holliston, MA 01746 (508) 429-1440							
MATERIAL PVDF/PTFE		BY TK		DATE 9/4/2015		SIZE B		DWG NO. TC-X00106		DESCRIPTION TC-X050VT		REV A	
APPROVED CJC		DATE 9/25/2015		SCALE: FULL		 THIRD ANGLE PROJECTION		SHEET: 1 OF 1					

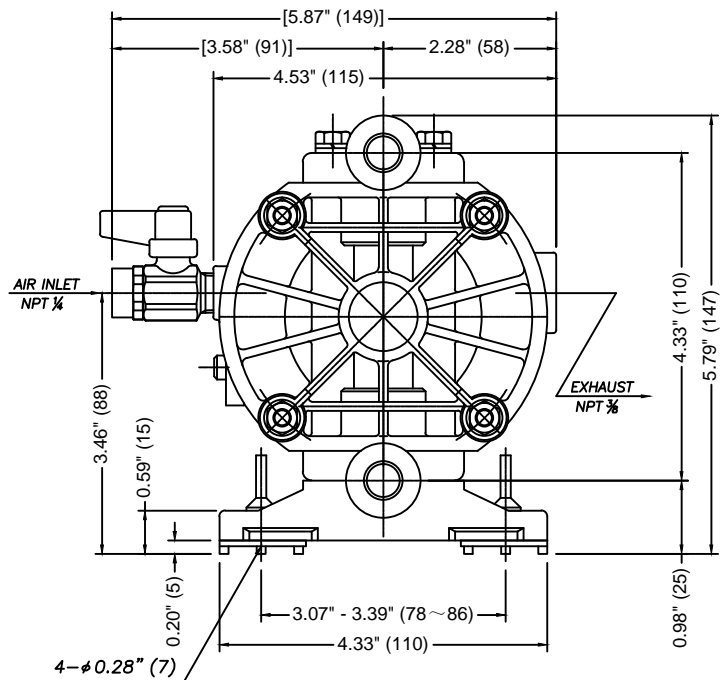
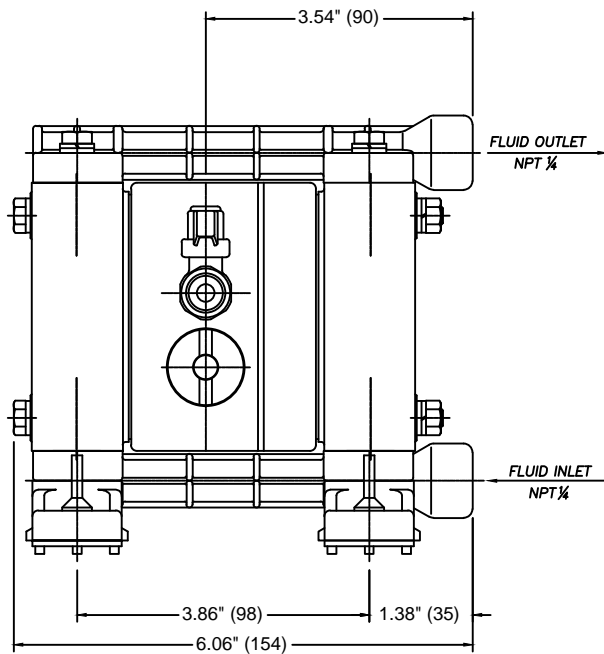
REVISIONS			
REV	DESCRIPTION	DATE	APPROVED
A	RELEASED	9/30/2015	CJC



NOTES:
1. SOME FEATURES MAY VARY SLIGHTLY.

PROPRIETARY THIS DRAWING CONTAINS CONFIDENTIAL INFORMATION PROPRIETARY TO IWAKI AMERICA. IT MUST NOT BE REPRODUCED OR FORWARDED TO OTHERS OR USED IN ANY OTHER WAY, IN WHOLE OR IN PART, UNLESS AUTHORIZED IN WRITING BY IWAKI AMERICA.		TOLERANCES DIMENSIONS IN INCHES UNLESS OTHERWISE NOTED X = .050 .XX = .010 .XXX = .005 DEBURR AND BREAK ALL SHARP EDGES		 www.IwakiAir.com		5 Boynton Rd. Hopping Brook Park Holliston, MA 01746 (508) 429-1440							
MATERIAL SUS/PTFE		BY TK		DATE 9/4/2015		SIZE B		DWG NO. TC-X00105		DESCRIPTION TC-X050ST		REV A	
APPROVED CJC		DATE 9/25/2015		SCALE: FULL		 THIRD ANGLE PROJECTION		SHEET: 1 OF 1					

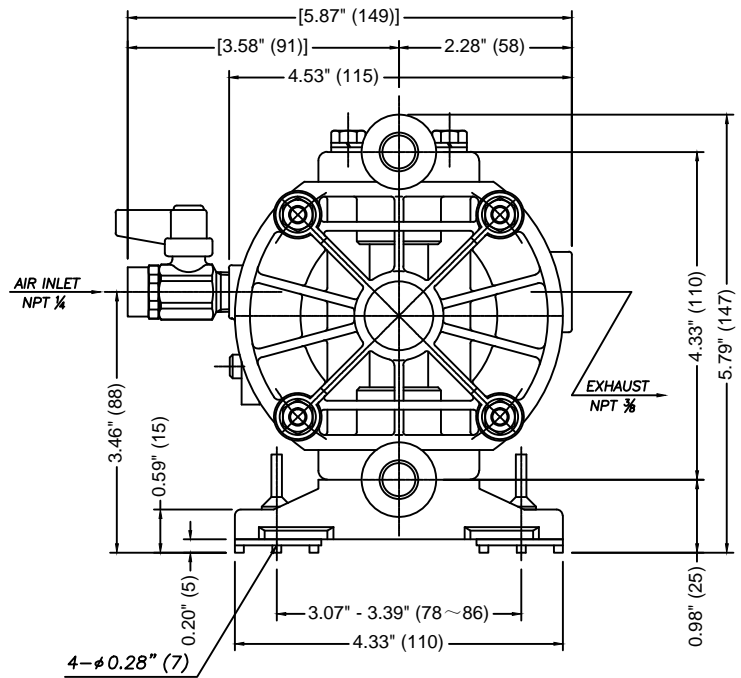
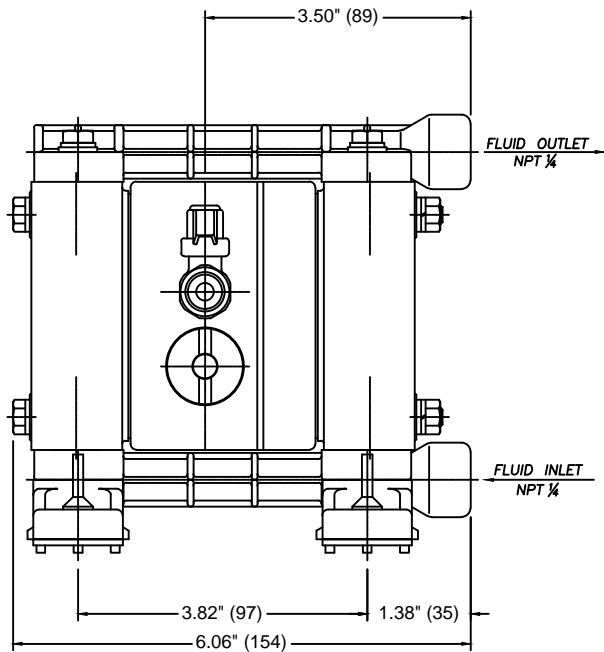
REVISIONS			
REV	DESCRIPTION	DATE	APPROVED
A	RELEASED	9/30/2015	CJC





NOTES:
1. SOME FEATURES MAY VARY SLIGHTLY.

PROPRIETARY THIS DRAWING CONTAINS CONFIDENTIAL INFORMATION PROPRIETARY TO IWAKI AMERICA. IT MUST NOT BE REPRODUCED OR FORWARDED TO OTHERS OR USED IN ANY OTHER WAY, IN WHOLE OR IN PART, UNLESS AUTHORIZED IN WRITING BY IWAKI AMERICA.		TOLERANCES DIMENSIONS IN INCHES UNLESS OTHERWISE NOTED X = .050 .XX = .010 .XXX = .001 DEBURR AND BREAK ALL SHARP EDGES		 www.IwakiAir.com		5 Boynton Rd. Hopping Brook Park Holliston, MA 01746 (508) 429-1440							
MATERIAL PPG/PTFE		BY TK		DATE 9/4/2015		SIZE B		DWG NO. TC-X00103		DESCRIPTION TC-X050PT		REV A	
APPROVED CJC		DATE 9/25/2015		SCALE: FULL		THIRD ANGLE PROJECTION		SHEET: 1 OF 1					

REVISIONS			
REV	DESCRIPTION	DATE	APPROVED
A	RELEASED	9/30/2015	CJC



NOTES:
1. SOME FEATURES MAY VARY SLIGHTLY.

PROPRIETARY THIS DRAWING CONTAINS CONFIDENTIAL INFORMATION PROPRIETARY TO IWAKI AMERICA. IT MUST NOT BE REPRODUCED OR FORWARDED TO OTHERS OR USED IN ANY OTHER WAY, IN WHOLE OR IN PART, UNLESS AUTHORIZED IN WRITING BY IWAKI AMERICA.		TOLERANCES DIMENSIONS IN INCHES UNLESS OTHERWISE NOTED X = .050 .XX = .010 .XXX = .005 DEBURR AND BREAK ALL SHARP EDGES		 www.IwakiAir.com		5 Boynton Rd. Hopping Brook Park Holliston, MA 01746 (508) 429-1440							
MATERIAL POM/PTFE		BY TK		DATE 9/4/2015		SIZE B		DWG NO. TC-X00102		DESCRIPTION TC-X050DT		REV A	
APPROVED CJC		DATE 9/25/2015		SCALE: FULL		 THIRD ANGLE PROJECTION		SHEET: 1 OF 1					