

4

3

2

1

REVISIONS

REV	DESCRIPTION	DATE	APPROVED
A	RELEASED	3/7/2019	CJC

Materials of Construction

PUMP BODY MATERIAL	ALUMINUM
DIAPHRAGM MATERIAL	S=TPO
	N=NBR

A

A

B

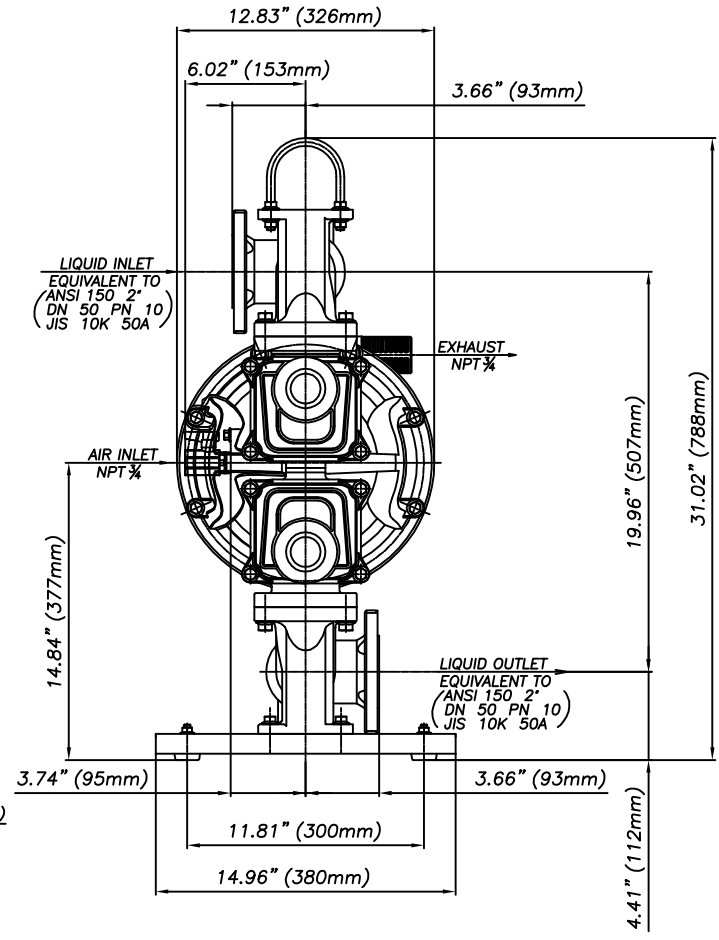
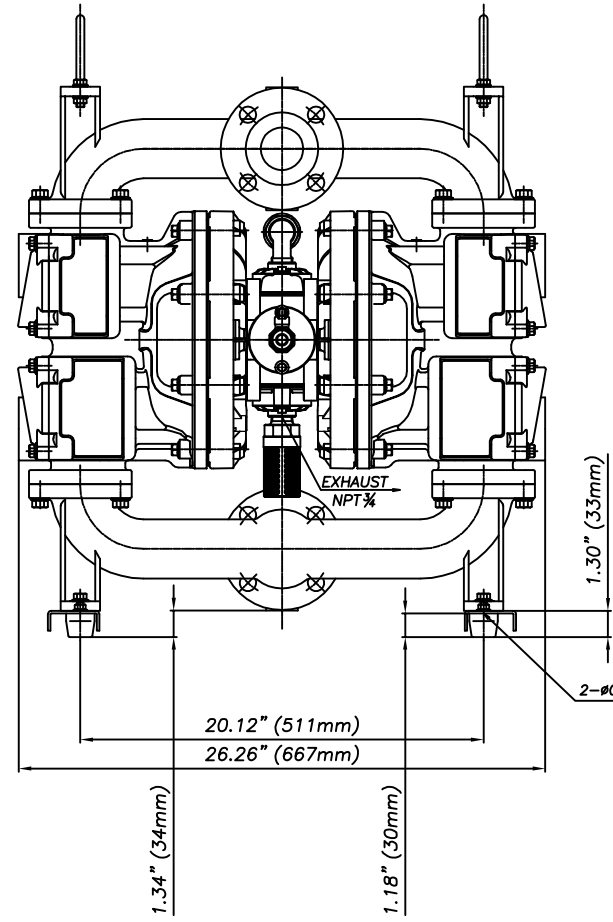
B

C


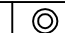
C

D

D



NOTES:
1. SOME FEATURES MAY VARY SLIGHTLY.

PROPRIETARY THIS DRAWING CONTAINS CONFIDENTIAL INFORMATION PROPRIETARY TO IWAKI AMERICA. IT MUST NOT BE REPRODUCED OR FORWARDED TO OTHERS OR USED IN ANY OTHER WAY, IN WHOLE OR IN PART, UNLESS AUTHORIZED IN WRITING BY IWAKI AMERICA.		TOLERANCES DIMENSIONS IN INCHES (MM) UNLESS OTHERWISE NOTED X = .050 .XX = .010 .XXX = .005 DEBURR AND BREAK ALL SHARP EDGES		 www.IwakiAir.com 5 Boynton Rd. Hopping Brook Park Holliston, MA 01746 (508) 429-1440	
MATERIAL		SEE CHART		DESCRIPTION	
BY	DATE	SIZE	DWG NO.	DESCRIPTION	REV
JP	3/6/2019	B	TC-X00173	TC-X500A-HV-FLA	A
APPROVED	DATE	SCALE:	THIRD ANGLE PROJECTION	SHEET:	1 OF 1
CJC	3/6/2019	FULL			

4

3

2

1