

1½" TC-X400 Series (Non-Metallic)

The TC-X400 Series pumps offer excellent flow rates and a new heavy duty body design. The pumps can operate with variable air pressures and are suited for both start/stop and fully continuous duty pumping applications. They can easily handle high pressure and long discharge lines.



Maximum Flow Rate: 100.4 GPM (380 LPM)
 Maximum Discharge Head: 230 FT. (70m)
 Available in: Glass-filled Polypropylene, PVDF (Kynar®)
 Spool valve type: Coil Spring Air Motor
 Certification: CE

SPECIFICATIONS				
Material Code*	P "X" (-FLA)	V "X"	PT (-FLA)	VT
Max Flow Rate	100.4 GPM (380 LPM)		91.2 GPM (345 LPM)	
Max Air Pressure	100 PSI (0.7 MPa)		100 PSI (0.7 MPa)	
Max Air Consumption	106 scfm (3000 L/min)		141 scfm (4000 L/min)	
Supply Air Pressure Range ¹	14-100 PSI (0.1 - 0.7 MPa)		22-100 PSI (0.15 - 0.7 MPa)	
Liquid Discharge Volume per cycle	95 oz (2800 mL)		47 oz (1400 mL)	
Suction x Discharge	1½" ANSI flange 150 lb / JIS Flange 10k40A			
Weight	62.8 lbs (28.5 kg)		71.6 lbs (32.5 kg)	

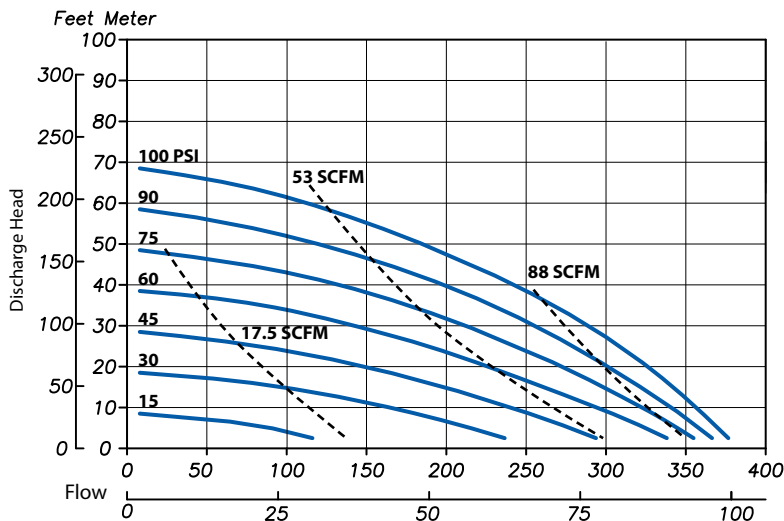
* See Chart and Model Number nomenclature on back page for materials
 Note 1: A supply air pressure of 14 PSI (0.1 MPa) or more is required to operate the pump.
 Pump Liquid Temperature Range: 32-140°F (0 to 60°C)
 Ambient Temperature Range: 32-158°F (0-70°C)
 Slurry Recommendation: 0.28" (7 mm) or less
 Viscosity Limit: Suction lift ~3000 cps (3 Pa·s) Force in ~8000 cps (8 Pa·s) (Please contact your distributor for more details)

PERFORMANCE CURVES

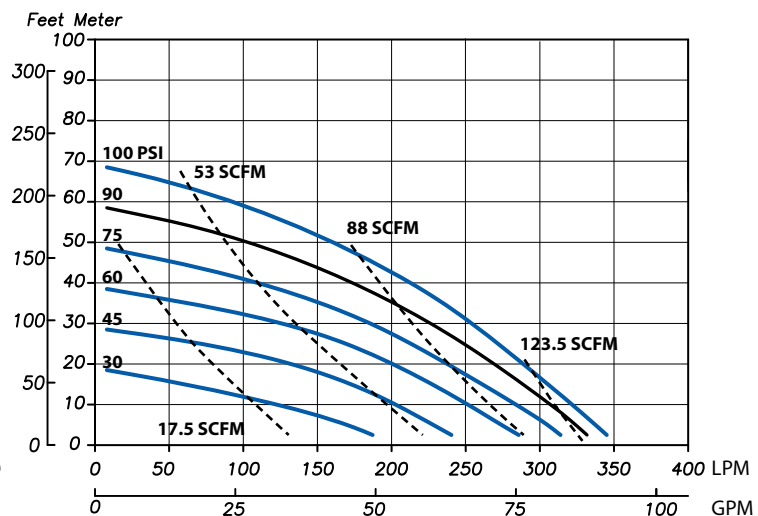
— Flow
 - - - - Air

Conditions:
 4" (10cm) flooded suction.
 Ambient temperature: 70°F (21°C)
 Liquid temperature: 61-64°F (16-18°C)

TC-X400P"X",V"X" (except T)



TC-X400PT, VT



1½" TC-X400 Series (Non-Metallic)

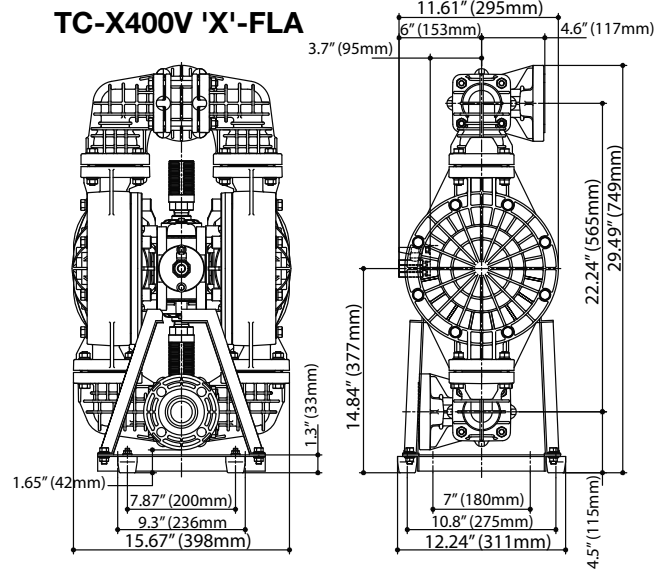
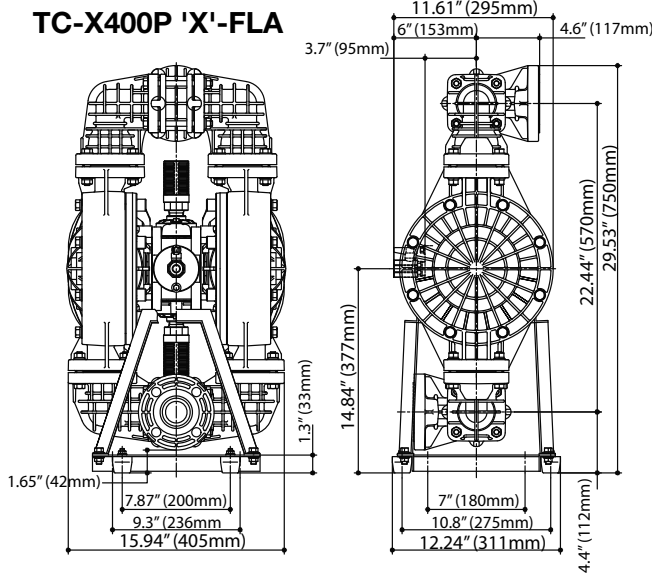
WET END MATERIALS					
Code	Pump wetted parts	Diaphragm	Ball Valve/ Valve Seat	Outer Diaphragm Plate	Center Body
PC	PPG	Neoprene™	Neoprene™	PPG (SCS13*)	AL
PN		BUNA	BUNA		
PE		EPDM	EPDM		
PV		Viton®	Viton®		
PT		PTFE	PTFE		
PH		Hytrel™	BUNA		
PS		Santoprene®	EPDM		
VE	PVDF	EPDM	EPDM	PVDF (SCS13*)	
VV		Viton®	Viton®		
VT		PTFE	PTFE		
VH		Hytrel™	BUNA		
VS		Santoprene®	EPDM		

Neoprene™ Chloroprene Rubber (CR)
 BUNA Nitrile Rubber (NBR)
 SCS13 Cast Stainless Steel Grade*
 Cast iron Cast Iron S45C
 PPG Glass Fiber Reinforced Polypropylene
 PTFE Polytetrafluoroethylene (Teflon®)
 PVDF Polyvinylidene Fluoride (Kynar®)
 Hytrel™ Thermoplastic Polyester Elastomer (TPEE)
 Santoprene® Thermoplastic PolyOlefin (TPO)
 Viton® Fluoroelastomer (FKM)
 EPDM Ethylene propylene diene monomer (Nordel™)

* SCS13 Insert material

DIMENSIONS

Air Inlet/Exhaust: Rc ¾ (NPT ¾)
 Liquid In/Out: Equivalent to JIS Flange
 10K40A (ANSI Flange 150 1½B)



MODEL NUMBER NOMENCLATURE

