

## 1" TC-X 252 Series (Non-Metallic)

The TC-X252 1" pumps are available in PVDF for high chemical resistance. Featuring the new Looped C™ Air Motor Technology (patent pending). New Air EcoRing feature (patent pending) provides lower air consumption. Both Flange and Threaded connection models are available.



Maximum Flow Rate: 43.6 GPM (165 L/Min)  
 Maximum Discharge Head: 230 ft (70 m)  
 Available in: Filled Polypropylene, Conductive Polypropylene, PVDF (Kynar®)  
 Spool valve type: Looped C Spring Valve  
 Certification: CE, ATEX (select models)



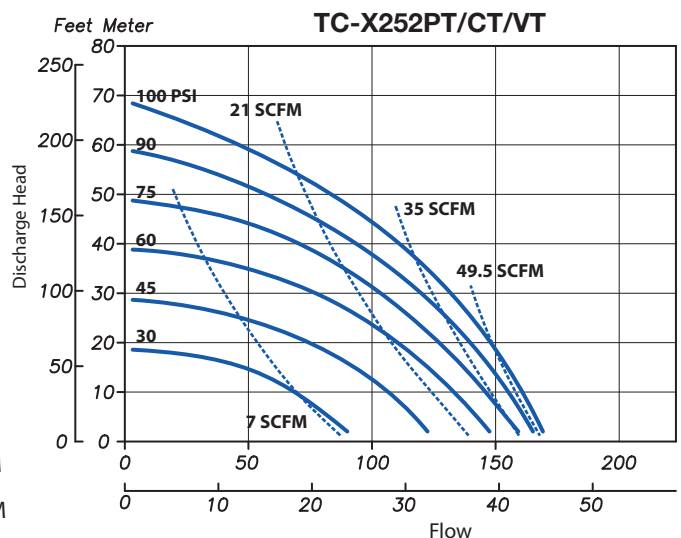
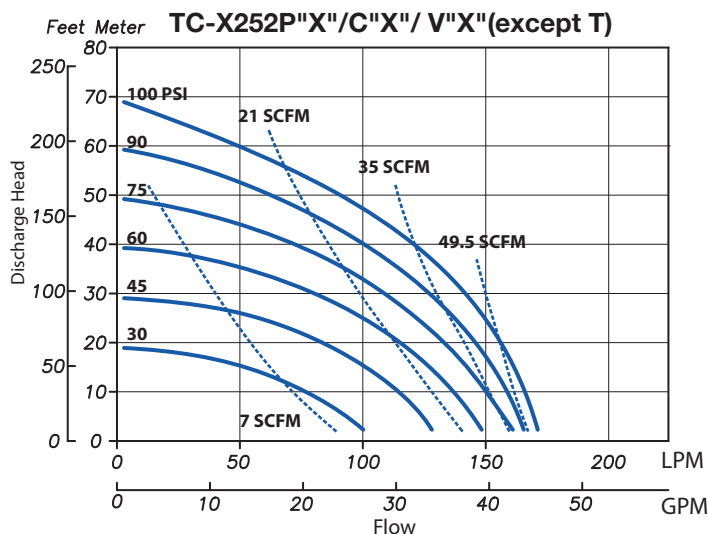
SPECIFICATIONS				
Material Code*	P"X"(-FLA) C"X"(-FLA)	V"X"(-FLA)	PT(-FLA)	VT(-FLA)
<b>Max Flow Rate</b>	43.6 GPM (165 LPM)			
<b>Max Air Pressure</b>	100 PSI (0.7 MPa)			
<b>Max Air Consumption</b>	56.5 scfm (1600 L/min)		63.6 scfm (1800 L/min)	
<b>Supply Air Pressure Range <sup>1</sup></b>	30-100 PSI (0.2-0.7 MPa)			
<b>Liquid Discharge Volume per cycle</b>	20 oz (600 mL)		17 oz (500 mL)	
<b>Connection Suction x Discharge</b>	NPT 1"		ANSI 150lb 1" JIS 10 K25A (DIN 25PN10)	
<b>Weight</b>	24.3 lbs (11 kg)	29.8 lbs (13.5 kg)	24.3 lbs (11 kg)	29.8 lbs (13.5 kg)

\* See Chart and Model Number nomenclature on back page for materials  
 Note 1: A supply air pressure of 30 PSI (0.2 MPa) or more is required to operate the pump. If the supply pressure is less than 30 PSI (0.2 MPa), the pump may not operate properly.  
 Pump Liquid Temperature Range: 32-140°F (0-60°C)  
 Ambient Temperature: 32-158°F (0-70°C)  
 Slurry Recommendation: 0.08" (2mm) or less  
 Viscosity Limit: Suction Lift ~3000 cps (3 Pa-s) Force in ~8000cps (8Pa-s) (Pumping slurry is dependent on pump size & materials. Please contact your distributor for more details)

### PERFORMANCE CURVES

— Flow  
 - - - - Air

Conditions:  
 4" (10 cm) flooded suction.  
 Ambient temperature: 75°F (24°C)  
 Liquid temperature: 72-75°F (22-24°C)



# Air-Operated Double Diaphragm Pumps



## WET END MATERIALS

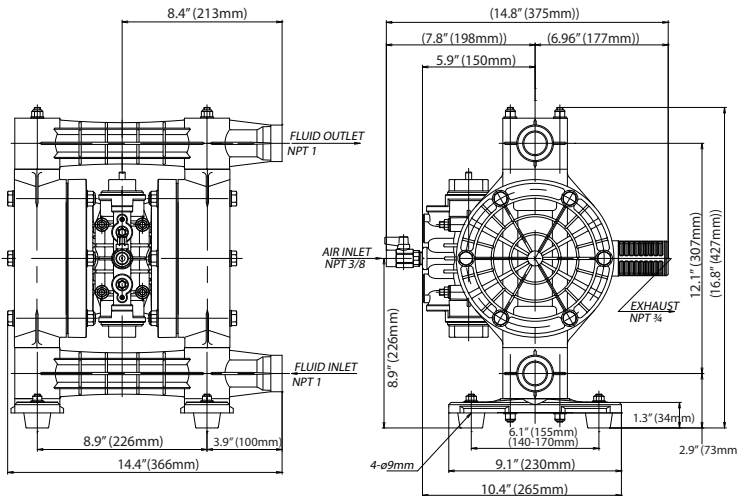
Code	Pump wetted parts	Diaphragm	Ball Valve/ O-Ring	Valve Seat	Outer Diaphragm Plate	Center Body
PC	PPG	Neoprene™	Neoprene™/BUNA	PPG	PPG (SCS13*)	PPG
PN		BUNA	BUNA			
PE		EPDM	EPDM			
PV		Viton®	Viton®			
PT		PTFE	PTFE			
PH		Hytrel™	Hytrel™/BUNA			
PS		Santoprene®	Santoprene®/EPDM			
VE	PVDF	EPDM	EPDM	PVDF	PVDF (SCS13*)	PPG
VV		Viton®	Viton®			
VT		PTFE	PTFE			
VH		Hytrel™	BUNA			
VS	Santoprene®	EPDM				
CC	Conductive Poly	Neoprene™	Neoprene™/BUNA	Conductive Poly	Conductive Poly (SCS13*)	Conductive Poly
CN		BUNA	BUNA			
CE		EPDM	EPDM			
CV		Viton®	Viton®			
CT		PTFE	PTFE			
CH		Hytrel™	Hytrel™/BUNA			
CS		Santoprene®	Santoprene®/EPDM			

Neoprene™  
BUNA  
\*SCS13  
PPG  
PTFE  
PVDF  
Hytrel™  
Santoprene®  
Viton®  
Conductive Poly

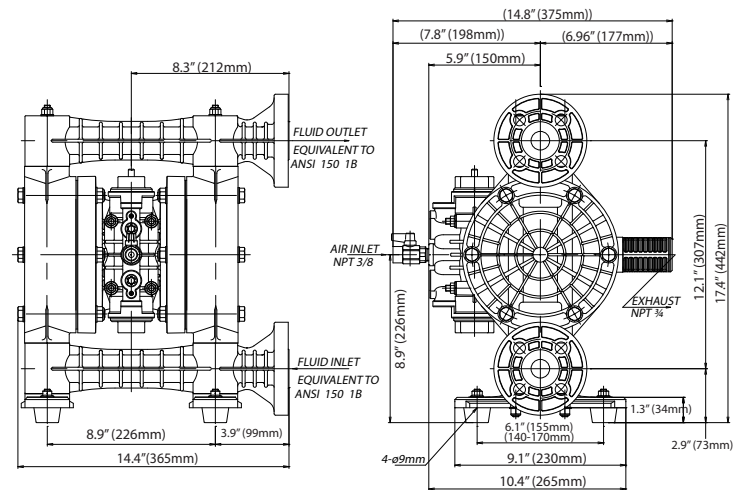
Chloroprene Rubber (CR)  
Nitrile Rubber (NBR)  
Cast Stainless Steel (Insert material)  
Glass Fiber Reinforced Polypropylene  
Polytetrafluoroethylene (Teflon®)  
Polyvinylidene Fluoride (Kynar®)  
Thermoplastic Polyester Elastomer (TPEE)  
Thermoplastic PolyOlefin (TPO)  
Fluoroelastomer (FKM)  
Conductive Polypropylene (PC)

## DIMENSIONS

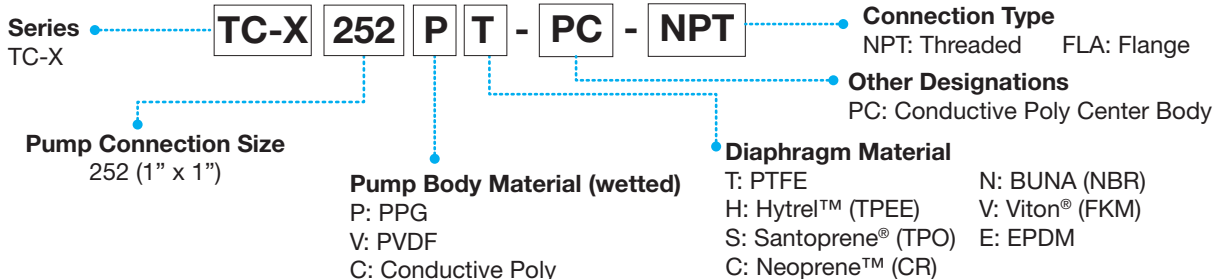
TC-X252P, C, V



TC-X252P-FLA, C-FLA, V-FLA



## MODEL NUMBER NOMENCLATURE



Five Boynton Road, Holliston, MA 01746 USA  
Tel: 508-429-1440 / service@iwaki-america.com / www.iwakiAir.com

IALT00331.E March 2018