

Air-Operated Double Diaphragm Pumps



3/4" TC-X202 Series

TC-X202-Series 3/4" pumps are available in Glass Fiber Reinforced Polypropylene (PPG) with a PPG Kynar (PVDF) air motor section for exceptional chemical resistance. Featuring the new Looped C® Air Motor technology. Both Flange and Threaded connections available.

Maximum Flow Rate: 31.7 GPM (120 L/Min)
 Maximum Discharge Head: 230 ft (70 m)
 Available in: Filled Polypropylene (PPG), PVDF (Kynar®)
 Spool valve type: Looped C® Spring Valve
 Check Valves: Ball type
 Certification: CE



| SPECIFICATIONS | | | | |
|-----------------------------------------------|--------------------------------------------------------|------------------|------------------------|------------------|
| Material Code* | P "X" | V "X" | PT | VT |
| Max Flow Rate | 31.7 GPM (120 LPM) | | 26.4 GPM (100 LPM) | |
| Max Air Pressure | 100 PSI (0.7 MPa) | | | |
| Max Air Consumption | 42.4 scfm (1200 L/min) | | 49.5 scfm (1400 L/min) | |
| Supply Air Pressure Range ¹ | 30-100 PSI (0.2 - 0.7 MPa) | | | |
| Liquid Discharge Volume per cycle | 12 oz (350 mL) | | 8 oz (240 mL) | |
| Suction x Discharge | NPT 3/4" / 3/4" ANSI flange 150 lb / JIS Flange 10k40A | | | |
| Weight | 15.4 lbs (7.0kg) | 19.8 lbs (9.0kg) | 15.4 lbs (7.0kg) | 19.8 lbs (9.0kg) |

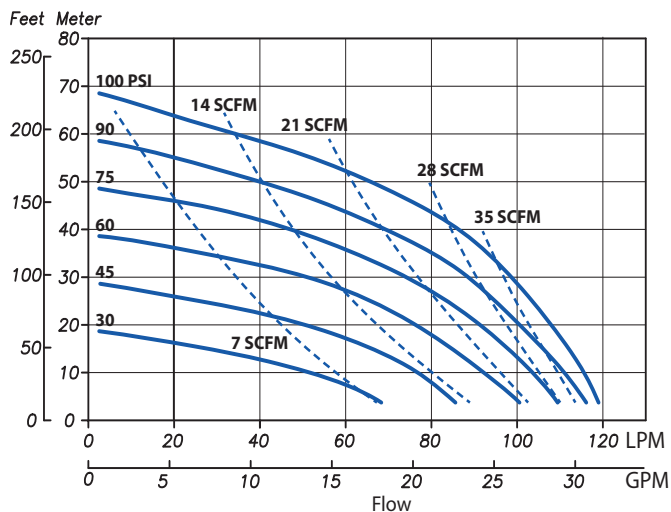
* See Chart and Model Number nomenclature on back page for materials
 Note 1: A supply air pressure of 30 PSI (0.2 MPa) or more is required to operate the pump.
 Pump Liquid Temperature Range: 32-140°F (0 - 60°C)
 Ambient Temperature Range: 32-158°F (0 - 70°C)
 Slurry Recommendation: 0.08" (2 mm) or less
 Viscosity Limit: Suction lift ~3000 cps (3 Pa-s) Force in ~8000 cps (8 Pa-s) (Please contact your distributor for more details)

PERFORMANCE CURVES

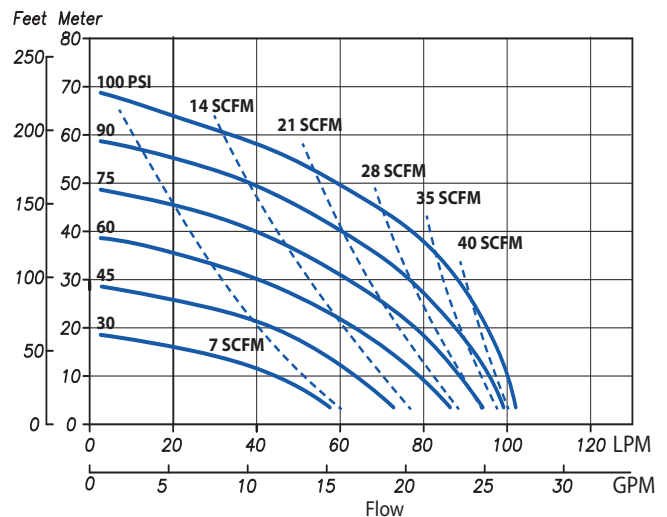
— Flow
 - - - Air

Conditions:
 4" (10 cm) flooded suction.
 Ambient temperature: 68-77°F (20-25°C)
 Liquid temperature: 68-77°F (20-25°C)

TC-X202P"X"/V"X" (except T)



TC-X202PT/VT



3/4" TC-X202 Series

| WET END MATERIALS | | | | | | |
|-------------------|-------------------|-------------|-------------------------|---------------|-----------------------|-------------|
| Code | Pump wetted parts | Diaphragm | Ball Valve / Valve Seat | Valve Stopper | Outer Diaphragm Plate | Center Body |
| PC | PPG | Neoprene™ | Neoprene™/BUNA | AL | PPG (SCS13*) | PPG |
| PN | | BUNA | BUNA | | | |
| PE | | EPDM | EPDM | | | |
| PV | | Viton® | Viton® | | | |
| PT | | PTFE | PTFE | | | |
| PH | | Hytre ™ | Hytre ™ /BUNA | | | |
| PS | | Santoprene® | Santoprene® /EPDM | | | |
| VE | PVDF | EPDM | EPDM | PVDF | PVDF (SCS13*) | |
| VV | | Viton® | Viton® | | | |
| VT | | PTFE | PTFE | | | |
| VH | | Hytre ™ | Hytre ™ /BUNA | | | |
| VS | | Santoprene® | Santoprene® /EPDM | | | |

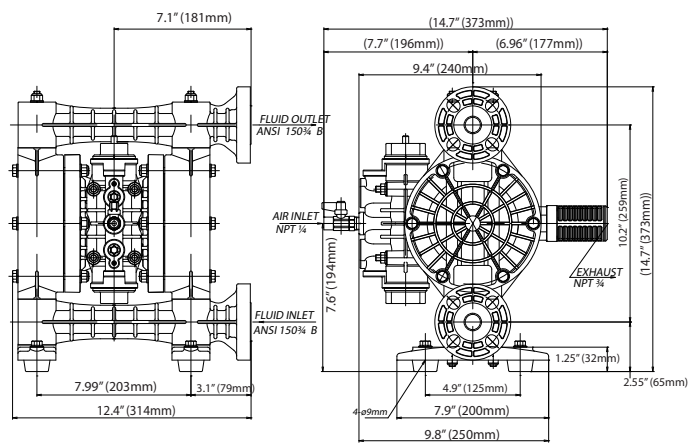
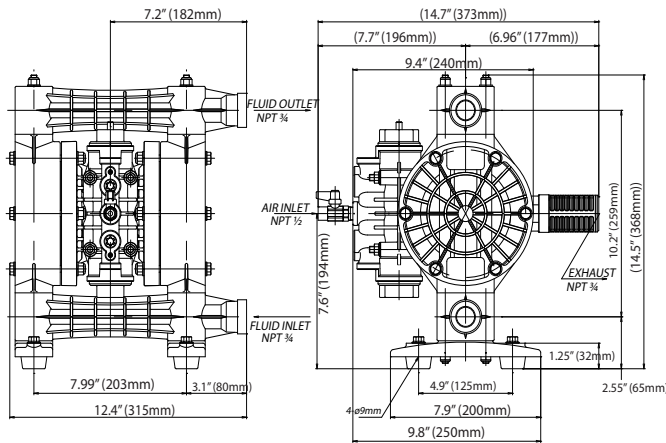
Neoprene™ Chloroprene Rubber (CR)
 BUNA Nitrile Rubber (NBR)
 EPDM Ethylene propylene diene monomer (Norden™)
 Viton® Fluoroelastomer (FKM)
 PTFE Polytetrafluoroethylene (Teflon®)
 Hytre|™ Thermoplastic Polyester Elastomer (TPEE)
 Santoprene® Thermoplastic PolyOlefin (TPO)
 PPG Glass Fiber Reinforced Polypropylene
 PVDF Polyvinylidene Fluoride (Kynar®)
 AL Aluminum
 SCS13 Cast Stainless Steel Grade*

* SCS13 Insert material

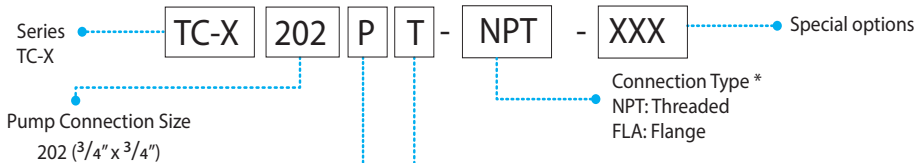
DIMENSIONS

TC-X202P/V (NPT)

TC-X202P/V (ANSI Flange)



MODEL NUMBER NOMENCLATURE



Pump Body Material (wetted)
 P: PPG
 V: PVDF

Diaphragm Material
 C: Neoprene™ (CR)
 N: BUNA (NBR)
 E: EPDM
 V: Viton® (FKM)

T: PTFE
 H: Hytre|™ (TPEE)
 S: Santoprene® (TPO)