

Air-Operated Double Diaphragm Pumps



1/2" TC-X152 Series

The TC-X152 pump is designed to offer high flow rates, excellent chemical resistance, improved leak prevention and increased reliability. The TC-X152 series offer exceptional flow rates, low air consumption and solids handling. Featuring new Looped C™ Air Motor Technology (patent pending).

Maximum Flow Rate: 15.8 GPM (60 L/Min)
 Maximum Discharge Head: 230 ft (70 m)
 Available in: Stainless Steel, Aluminum, Pure Polypropylene, Conductive Polypropylene and PVDF (Kynar®)
 Spool valve type: Looped C-Spring Valve
 Check Valves: Flat Valves & Ball options
 Certification: CE, ATEX (select models), FDA (SS models)

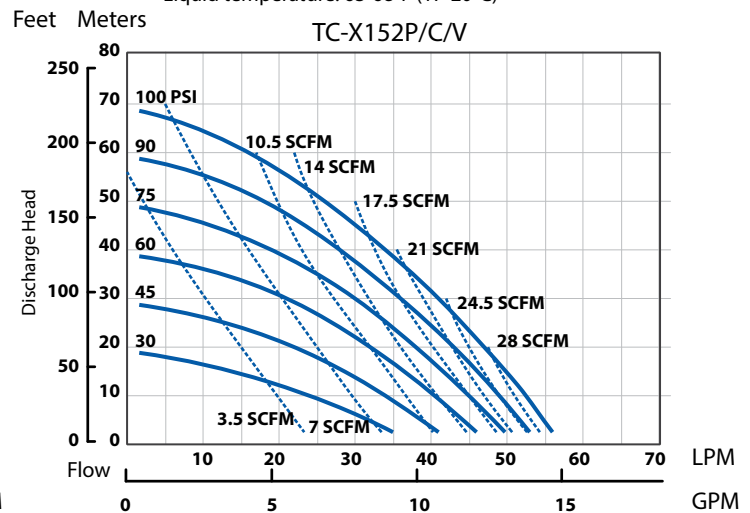
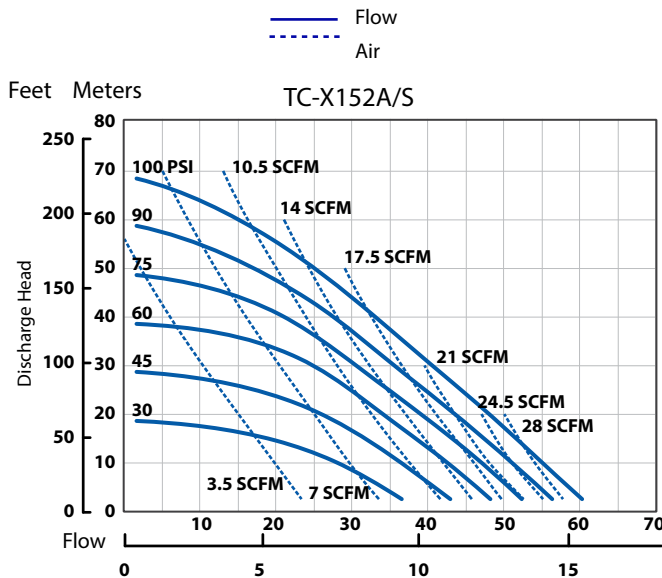


SPECIFICATIONS					
Material Code*	A"X"	S"X"	P"X"-PP C"X"-PC	V"X"	DT
Max Flow Rate	15.8 GPM (60 LPM)		14.8 GPM (56 LPM)		
Max Air Pressure	100 PSI (0.7 MPa)				
Max Air Consumption	31.8 scfm (900 L/min)				
Supply Air Pressure Range ¹	30-100 PSI (0.2-0.7 MPa)				
Liquid Discharge Volume per cycle	2.9 oz (85 mL)				
Connection Suction x Discharge	NPT 1/2"				
Weight	9.0 lbs (4.1 kg)	14.8 lbs (6.7 kg)	6.8 lbs (3.1 kg)	9.3 lbs (4.2 kg)	8.4 lbs (3.8 kg)

* See Chart and Model Number nomenclature on back page for materials
 Note 1: A supply air pressure of 30 PSI (0.2 MPa) or more is required to operate the pump. If the supply pressure is less than 30 PSI (0.2 MPa), the pump may not operate properly.
 Pump Liquid Temperature Range: P"X", C"X", V"X" 32-140°F (0~60°C) A"X", S"X" 32-158°F (0~70°C)
 CR, NBR Diaphragm 32-158°F (0~70°C) TPO, PTFE Diaphragm 32-212°F (0~100°C)
 Ambient Temperature Range: 32-158°F (0-70°C)
 Slurry Recommendation: A"X", S"X" 0.04" (1mm) or less P"X", C"X", V"X", DT Not recommended for use in slurry liquid
 Viscosity Limit: ~500 cps (0.5 Pa·s) (Please contact your distributor for more details)

PERFORMANCE CURVES

Conditions:
 4"(10 cm) flooded suction.
 Ambient temperature: 64°F (18°C)
 Liquid temperature: 63-68°F (17-20°C)



Air-Operated Double Diaphragm Pumps



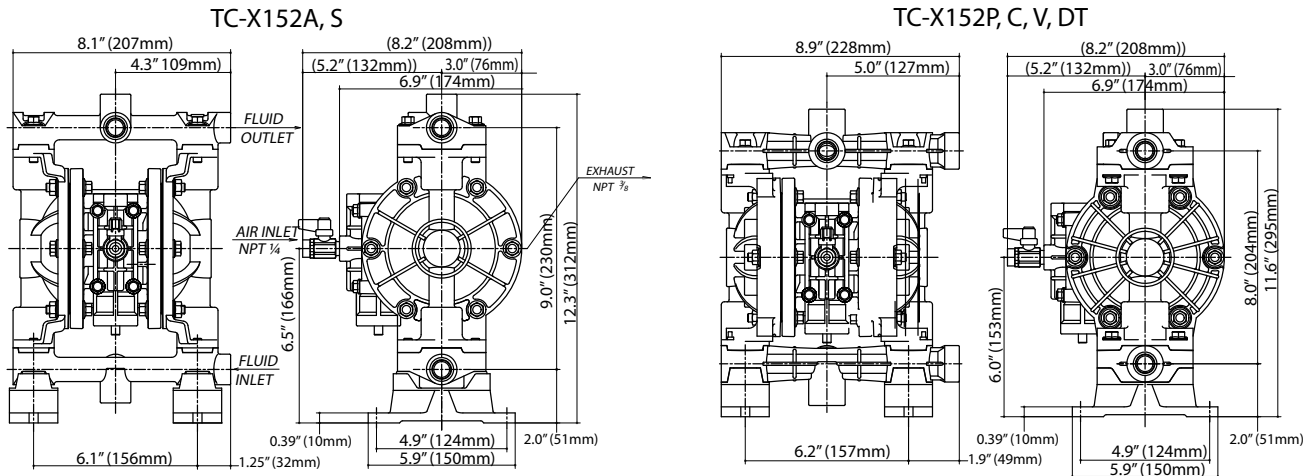
WET END MATERIALS						
Code	Pump wetted parts	Diaphragm	Flat Valve	Valve Seat	Outer Diaphragm Plate	Center Body
AC	AL Alloy	Neoprene™	Neoprene™	AL	AL	PPG
AN		BUNA	BUNA			
AT		PTFE	PTFE			
AH		Hytrel™	BUNA			
AS		Santoprene®	EPDM			
AE		EPDM	EPDM			
SC	Cast SS	Neoprene™	Neoprene™	SS316	SS316	
SN		BUNA	BUNA			
ST		PTFE	PTFE			
SH		Hytrel™	BUNA			
SS		Santoprene®	EPDM			
SE		EPDM	EPDM			
PC	Pure Poly	Neoprene™	PTFE	Pure Poly	Pure Poly (SS303*)	
PN		BUNA				
PT		PTFE				
PH		Hytrel™				
PS		Santoprene®				
PE		EPDM				
DT	Acetal	PTFE	Acetal	Acetal	Acetal (SS303*)	
VT	PVDF	PTFE	PTFE	PVDF	PVDF (SS303*)	
VS		Santoprene®				
VE		EPDM				
CC	Conductive Poly	Neoprene™	PTFE	Conductive Poly	Conductive Poly (SS303*)	Conductive Poly
CN		BUNA				
CT		PTFE				
CH		Hytrel™				
CS		Santoprene®				

AL Alloy
AL
Neoprene™
BUNA
Cast SS
EPDM
*SS303
SS316
PPG
PTFE
PVDF
Hytrel™
Santoprene®
Acetal
Pure Poly
Conductive Poly

Aluminum Alloy (ADC12)
Aluminum (A5056)
Chloroprene Rubber (CR)
Nitrile Rubber (NBR)
Cast Stainless Steel (SCS14)
Ethylene propylene diene monomer (Norden™)
Stainless Steel (Insert material)
Stainless Steel Grade 316*
Glass Fiber Reinforced Polypropylene
Polytetrafluoroethylene (Teflon®)
Polyvinylidene Fluoride (Kynar®)
Thermoplastic Polyester Elastomer (TPEE)
Thermoplastic PolyOlefin (TPO)
Polyoxymethylene (POM)
Pure Polypropylene (PP)
Conductive Polypropylene (PC)

* SS316 Multi-port Plug Material (metal pumps)

DIMENSIONS



MODEL NUMBER NOMENCLATURE

