

Exploded View Drawing and Parts List

Model: **TC-X800FC-NPT**

Model Number: **1P00092MN**

Serial Number:

Service Code:

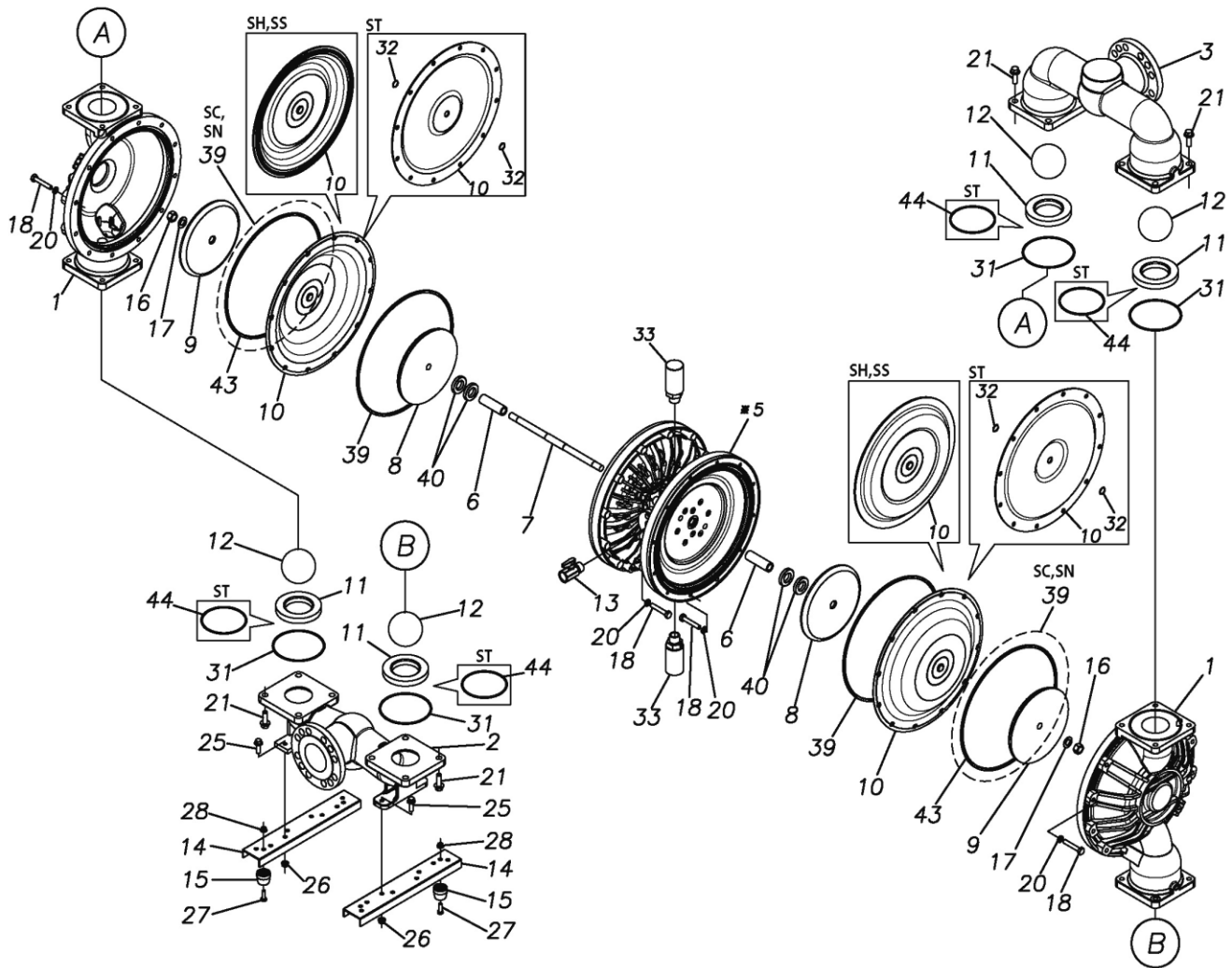
The part list and exploded view drawing as attached below indicate the full list of parts for the above mentioned pump model.

When ordering parts take care to select the correct model pump and required parts. Also be aware that models may change over time as improvements are made so cross-referencing the pumps serial number assembly date and service code are also recommended.

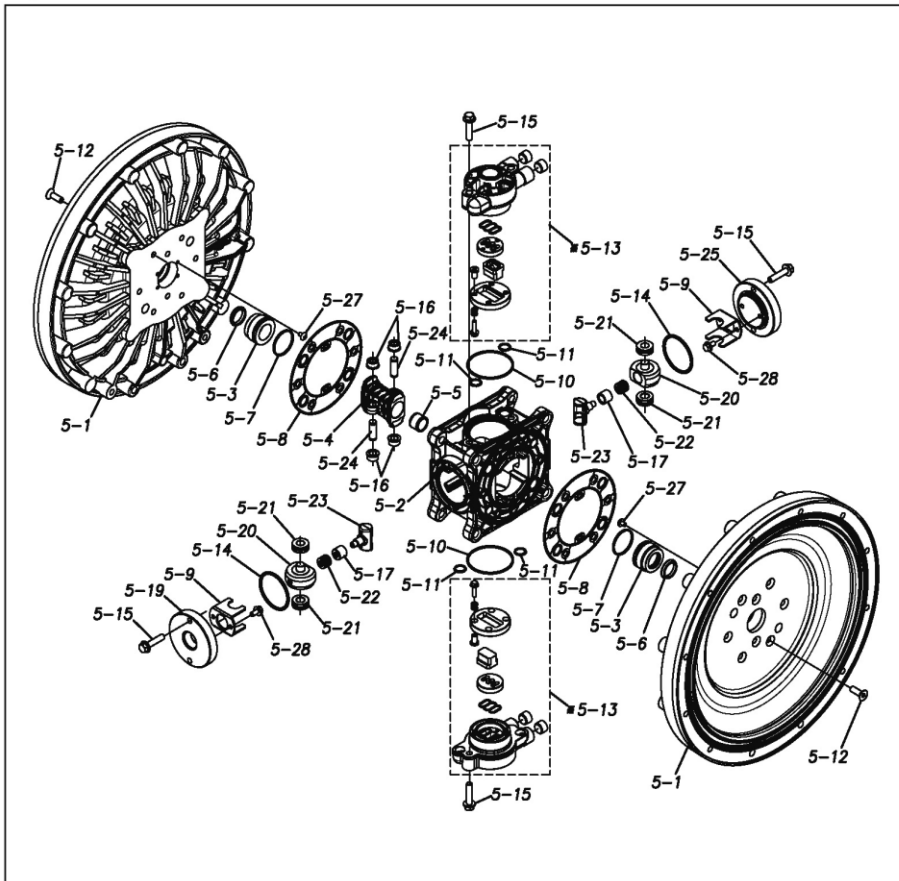
If you require specific spare parts you can also use this form to place your order.

For more information specific to your pump please refer to the pumps Service Book and Operation Manual available separately.

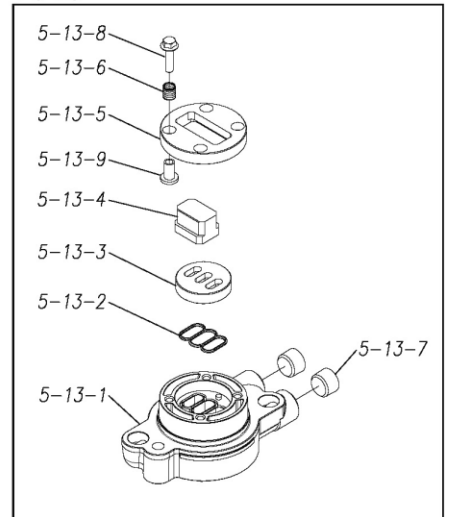
Please contact your Pump Distributor directly for more information.



*5



*5-13



| Ref.No. | Parts No. | Description | Parts Component | Remark | Order Qty |
|---------|-----------|-----------------------|-----------------|---|--|
| 1 | 1P20010FM | OUT CHAMBER | 2 | | |
| 2 | 1P20012FN | IN MANIFOLD | 1 | | |
| 3 | 1P20014FN | OUT MANIFOLD | 1 | | |
| 5 | 1P10001MN | BODY ASSEMBLY | 1 | | |
| 5-1 | 1P30009MM | AIR CHAMBER | 2 | The parts of #5 are available with a set as [1P10001MN:BODY ASSEMBLY]. This is also available individually. | |
| 5-2 | 1M30001MM | BODY | 1 | | |
| 5-3 | 1P30001MM | BEARING CENTER ROD | 2 | | |
| 5-4 | 1M30011MM | SHUTTLE | 1 | | |
| 5-5 | 1M30012MM | BEARING SHUTTLE | 1 | | |
| 5-6 | 9S2BA0025 | PACKING | 2 | | |
| 5-7 | 9S1BS0036 | O RING S-36 | 2 | | |
| 5-8 | 1M30027MB | PACKING BODY | 2 | | |
| 5-9 | 1M30004MM | BRACKET BEARING | 2 | | |
| 5-10 | 9S1BG0065 | O RING G-65 | 2 | | |
| 5-11 | 9S1BP0014 | O RING P-14 | 4 | | |
| 5-12 | 9B5410835 | BOLT M8 × 35 | 16 | | |
| 5-13 | 1M10002MP | VALVE BODY ASSEMBLY | 2 | | The parts of #5-13 are available with a set as [1M10002MP:VALVE BODY ASSEMBLY]. This is also available individually. |
| 5-13-1 | 1M30002MP | VALVE BODY | 2 | | |
| 5-13-2 | 1M30016MB | PACKING VALVE | 2 | | |
| 5-13-3 | 1M30014MM | SEAT SLIDE VALVE | 2 | | |
| 5-13-4 | 1M30013MM | SLIDE VALVE | 2 | | |
| 5-13-5 | 1M30015MM | GUIDE SLIDE VALVE | 2 | | |
| 5-13-6 | 1M30020MM | SPRING | 8 | | |
| 5-13-7 | 1H30043MB | PLUG | 4 | | |
| 5-13-8 | 9B2110520 | BOLT M5 × 20 | 8 | | |
| 5-13-9 | 1M30019MM | GUIDE SPRING | 8 | | |
| 5-14 | 9S1BG0055 | O RING G-55 | 2 | The parts of #5 are available with a set as [1P10001MN:BODY ASSEMBLY]. This is also available individually. | |
| 5-15 | 9B2110835 | BOLT M8 × 35 | 8 | | |
| 5-16 | 1M30006MM | BEARING PIN | 4 | | |
| 5-17 | 1M30017MM | BEARING ARM | 2 | | |
| 5-19 | 1M30010MN | CAP BODY IN | 1 | | |
| 5-20 | 1M30005MM | CASE SPRING | 2 | | |
| 5-21 | 1M30007MM | BEARING CASE SPRING | 4 | | |
| 5-22 | 1M30008MM | SPRING | 2 | | |
| 5-23 | 1M30003MB | ARM | 2 | | |
| 5-24 | 1M30023MM | PIN SHUTTLE | 2 | | |
| 5-25 | 1M30009MM | CAP BODY | 1 | | |
| 5-27 | 9T6125008 | SCREW M5-8 | 8 | | |
| 5-28 | 9B2110612 | BOLT M6 × 12 | 4 | | |
| 6 | 1P30002MM | SPACER CENTER ROD | 2 | | |
| 7 | 1P20021MM | CENTER ROD | 1 | | |
| 8 | 1P20028MM | CENTER DISK | 2 | | |
| 9 | 1P20039MM | CENTER DISK | 2 | | |
| 10 | 1P20002NB | DIAPHRAGM | 2 | | |
| 11 | 1P20015NB | VALVE SEAT | 4 | | |
| 12 | 1P20003NB | BALL | 4 | | |
| 13 | 1M90001MN | BALL VALVE | 1 | | |
| 14 | 1P30017MM | BASE | 2 | | |
| 15 | 1H30055MB | RUBBER FEET | 4 | | |
| 16 | 9N1731600 | NUT M16 × 1.5 | 2 | | |
| 17 | 9W3311600 | CONED DISK SPRING M16 | 2 | | |
| 18 | 9B2111070 | BOLT M10 × 70 | 24 | | |

| Ref.No. | Parts No. | Description | Parts Component | Remark | Order Qty |
|---------|-----------|---------------------|-----------------|--------|-----------|
| 21 | 9B2111235 | BOLT M12 × 35 | 12 | | |
| 25 | 9B2111030 | BOLT M10 × 30 | 4 | | |
| 26 | 1P30016MM | STUD BASE | 4 | | |
| 27 | 9B1110825 | BOLT M8 × 25 | 4 | | |
| 28 | 9N2110800 | NUT M8 | 4 | | |
| 31 | 9S1BG0135 | O RING G-135 | 4 | | |
| 33 | 1H90003MK | SILENCER | 2 | | |
| 39 | 9S1BG0350 | O RING G-350 | 4 | | |
| 40 | 1P30012MB | CUSHION CENTER DISK | 4 | | |

memo