

Exploded View Drawing and Parts List

Model: **TC-X203SV-MT-NPT**

Model Number: **1H00305MN-20Y**

Serial Number:

Service Code:

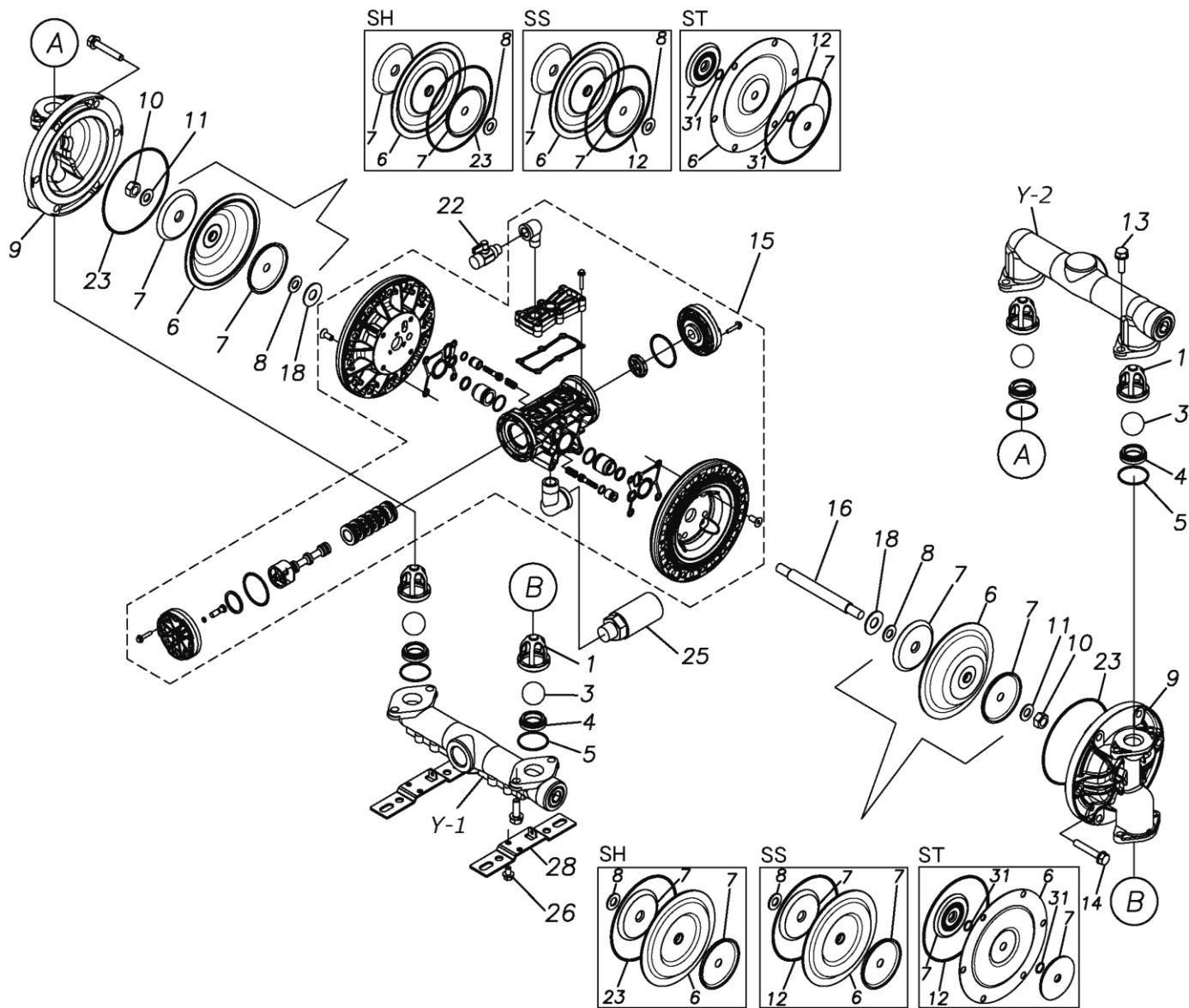
The part list and exploded view drawing as attached below indicate the full list of parts for the above mentioned pump model.

When ordering parts take care to select the correct model pump and required parts. Also be aware that models may change over time as improvements are made so cross-referencing the pumps serial number assembly date and service code are also recommended.

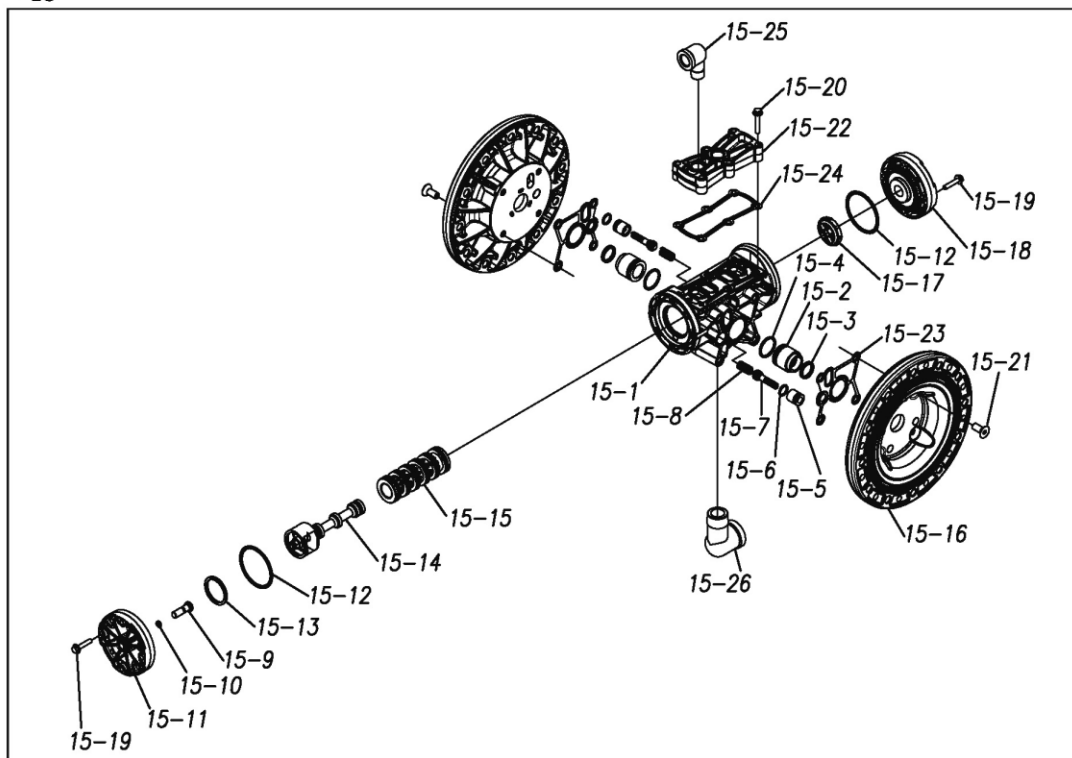
If you require specific spare parts you can also use this form to place your order.

For more information specific to your pump please refer to the pumps Service Book and Operation Manual available separately.

Please contact your Pump Distributor directly for more information.



* 15



Ref.No.	Parts No.	Description	Parts Component	Remark	Order Qty
1	1H20100MM	VALVE STOPPER	4		
3	1H20018VB	BALL	4		
4	1H20007VB	VALVE SEAT	4		
5	9S1VG0045	O RING G-45	4		
6	1H20021VB	DIAPHRAGM	2		
7	1H20022MM	CENTER DISK	4		
8	9W1211400	WASHER M14	2		
9	1H20008SM	OUT CHAMBER	2		
10	9N1311400	NUT M14 × 1.5	2		
11	9W3311400	CONED DISK SPRING M14	2		
13	9B2211030	BOLT M10 × 30	8		
14	9B2211040	BOLT M10 × 40	12		
15	1H10037MN	BODY ASSEMBLY	1		
15-1	1H30097MM	BODY	1		
15-2	1H30107MM	THROAT BEARING	2		
15-3	9S2BA0018	PACKING	2		
15-4	9S1BJ2023	O RING JASO-2023	2		
15-5	1H30108MM	PILOT VALVE SEAT	2		
15-6	9S1BJ1011	O RING JASO-1011	2		
15-7	1H10009MK	PILOT VALVE ASSEMBLY	2	The parts of #15 are available with a set as [1H10037MN:BODY ASSEMBLY]. This is also available individually.	
15-8	1H30020MM	SPRING	2		
15-9	1H30028MM	RESET BUTTON	1		
15-10	9S1BP0005	O RING P-5	1		
15-11	1H30101MB	CAP A	1		
15-12	9S1BG0055	O RING G-55	2		
15-13	1H30032MB	PACKING	1		
15-14	1H10002MK	C SPOOL ASSEMBLY (Looped C®)	1		
15-14-1	1H30023MM	SEAL RING	5		
15-15	1H10006MK	SLEEVE ASSEMBLY	1	The parts of #15 are available with a set as [1H10037MN:BODY ASSEMBLY]. This is also available individually.	
15-15-1	9S1BJ2030	O RING JASO-2030	6		
15-16	1H30098MM	AIR CHAMBER	2		
15-17	1H30030MB	CUSHION	1		
15-18	1H30099MB	CAP B	1		
15-19	9B2110525	BOLT M5 × 25	8		
15-20	9B2110530	BOLT M5 × 30	6		
15-21	9B5410820	BOLT M8 × 20	8	The parts of #15 are available with a set as [1H10037MN:BODY ASSEMBLY]. This is also available individually.	
15-22	1H30100MN	COVER	1		
15-23	1H30102MB	PACKING BODY	2		
15-24	1H30103MB	PACKING COVER	1		
15-25	9P20N0303	STREET ELBOW	1		
15-26	9P20P0505	STREET ELBOW	1		
16	1H20036MM	CENTER ROD	1		
18	1H30016MB	CUSHION	2		
22	1H90002MN	BALL VALVE	1		
23	9S1VG0145	O RING G-145	2		
25	1H90003MK	SILENCER	1		
26	9B2210812	BOLT M8 × 12	2		
28	1H30001MB	BASE	2		

Ref.No.	Parts No.	Description	Parts Component	Remark	Order Qty
Y	1G10009MN	20 EQUIVALENT SUS NPT KIT	1		
Y-1	1G20024SN	IN MANIFOLD	1	The parts of #Y are available with a set as [1G10009MN: 20 EQUIVALENT SUS NPT KIT]. This is also available individually.	
Y-2	1G20025SN	OUT MANIFOLD	1		

memo