

Exploded View Drawing and Parts List

Model: **TC-X152PS-PP-NPT**

Model Number: **1E00068MNA**

Serial Number:

Service Code:

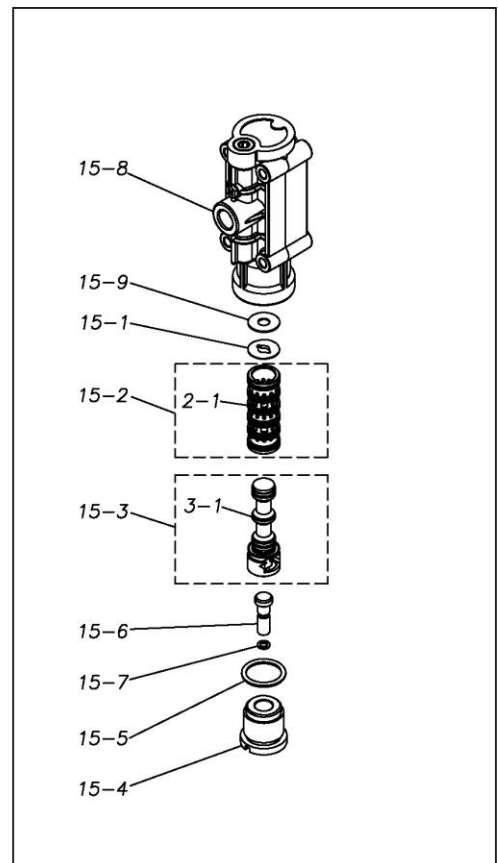
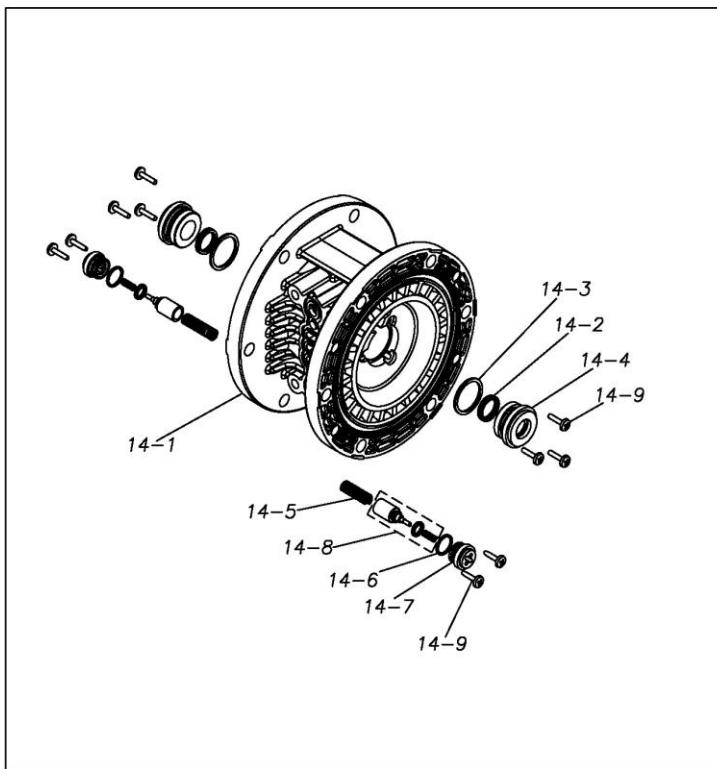
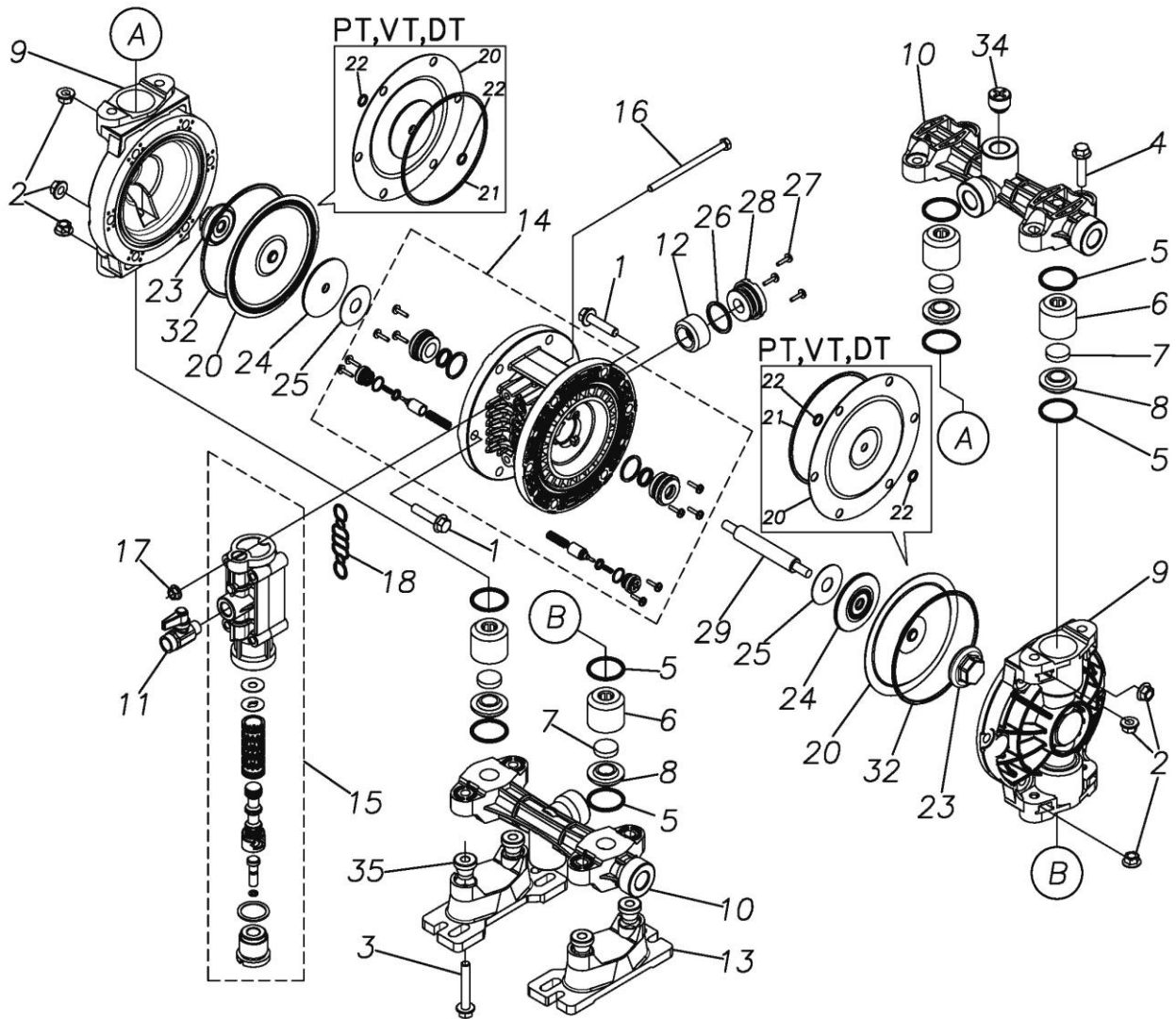
The part list and exploded view drawing as attached below indicate the full list of parts for the above mentioned pump model.

When ordering parts take care to select the correct model pump and required parts. Also be aware that models may change over time as improvements are made so cross-referencing the pumps serial number assembly date and service code are also recommended.

If you require specific spare parts you can also use this form to place your order.

For more information specific to your pump please refer to the pumps Service Book and Operation Manual available separately.

Please contact your Pump Distributor directly for more information.



| Ref.No. | Parts No. | Description | Parts Component | Remark | Order Qty |
|---------|-----------|----------------------|-----------------|---|-----------|
| 1 | 9B2210845 | BOLT M8 × 45 | 12 | | |
| 2 | 9N2210800 | NUT M8 | 20 | | |
| 3 | 9B2210850 | BOLT M8 × 50 | 4 | | |
| 4 | 9B2210835 | BOLT M8 × 35 | 4 | | |
| 5 | 9S1EP0029 | O RING P-29 | 8 | | |
| 6 | 1E20013PB | VALVE STOPPER | 4 | | |
| 7 | 1E20020TM | FLAT VALVE | 4 | | |
| 8 | 1E20014PB | VALVE SEAT | 4 | | |
| 9 | 1E20016PB | OUT CHAMBER | 2 | | |
| 10 | 1E20017PN | MANIFOLD | 2 | | |
| 11 | 1E90002MN | BALL VALVE | 1 | | |
| 12 | 1E30033MB | SILENCER | 1 | | |
| 13 | 1E30059MB | BASE | 2 | | |
| 14 | 1E10001MK | BODY ASSEMBLY | 1 | | |
| 14-1 | 1E30014MB | BODY | 1 | The parts of #14 are available with a set as [1E10001MK: BODY ASSEMBLY]. This is also available individually. | |
| 14-2 | 9S2BA0014 | PACKING | 2 | | |
| 14-3 | 9S1BP0022 | O RING P-22 | 2 | | |
| 14-4 | 1E30019MM | THROAT BEARING | 2 | | |
| 14-5 | 1E30024MM | SPRING | 2 | | |
| 14-6 | 9S1B90000 | O RING S-12.5 | 2 | | |
| 14-7 | 1E30020MB | PILOT VALVE SEAT | 2 | | |
| 14-8 | 1E10003MK | PILOT VALVE ASSEMBLY | 2 | | |
| 14-9 | 9T7224014 | SCREW M4-14 | 10 | | |
| 15 | 1E10002MN | MAIN VALVE ASSEMBLY | 1 | | |
| 15-1 | 1E30025MB | CUSHION | 1 | The parts of #15 are available with a set as [1E10002MN: MAIN VALVE ASSEMBLY]. This is also available individually. | |
| 15-2 | 1E10004MK | SLEEVE ASSEMBLY | 1 | | |
| 15-2-1 | 9S1BA0018 | O RING AS568-018 | 6 | The parts of #15-2 are available with a set as [1E10004MK: SLEEVE ASSEMBLY]. This is also available individually. | |
| 15-3 | 1E10005MK | C SPOOL ASSEMBLY | 1 | The parts of #15 are available with a set as [1E10002MN: MAIN VALVE ASSEMBLY]. This is also available individually. | |
| 15-3-1 | 1E30031MM | SEAL RING | 5 | The parts of #15-3 are available with a set as [1E10005MK: C SPOOL ASSEMBLY]. This is also available individually. | |
| 15-4 | 1E30026MM | CAP | 1 | The parts of #15 are available with a set as [1E10002MN: MAIN VALVE ASSEMBLY]. This is also available individually. | |
| 15-5 | 9S1BP0024 | O RING P-24 | 1 | | |
| 15-6 | 1E30027MM | RESET BUTTON | 1 | | |
| 15-7 | 9S1BP0005 | O RING P-5 | 1 | | |
| 15-8 | 1E10006MN | VALVE BODY ASSEMBLY | 1 | | |
| 15-9 | 1E30040MM | CUSHION SUPPORT | 1 | | |
| 16 | 9B1290600 | BOLT M6 × 100 × 30 | 4 | | |
| 17 | 9N2210600 | NUT M6 | 4 | | |
| 18 | 1E30017MB | VALVE BODY GASKET | 1 | | |
| 20 | 1E20029SB | DIAPHRAGM | 2 | | |
| 23 | 1E20034PB | CENTER DISK | 2 | | |
| 24 | 1E30022MB | CENTER DISK | 2 | | |
| 25 | 1E30023MB | CUSHION | 2 | | |
| 26 | 9S1BP0026 | O RING P-26 | 1 | | |
| 27 | 9T7224014 | SCREW M4-14 | 3 | | |
| 28 | 1E30021MP | BUSHING | 1 | | |
| 29 | 1E20008MM | CENTER ROD | 1 | | |
| 32 | 9S1EG0110 | O RING G-110 | 2 | | |
| 33 | 1H90001MB | SEAL TAPE | 1 | | |
| 34 | 1E20015PN | PLUG | 4 | | |

■ Parts List

TC-X152PS-PP-NPT

1E00068MN

| Ref.No. | Parts No. | Description | Parts Component | Remark | Order Qty |
|---------|-----------|-------------|-----------------|--------|-----------|
| 35 | 1H30058MB | SPACER | 4 | | |

memo