

## Exploded View Drawing and Parts List

Model: **TC-X150PS-NPT**

Model Number: **1E00044MNA**

Serial Number:

Service Code:

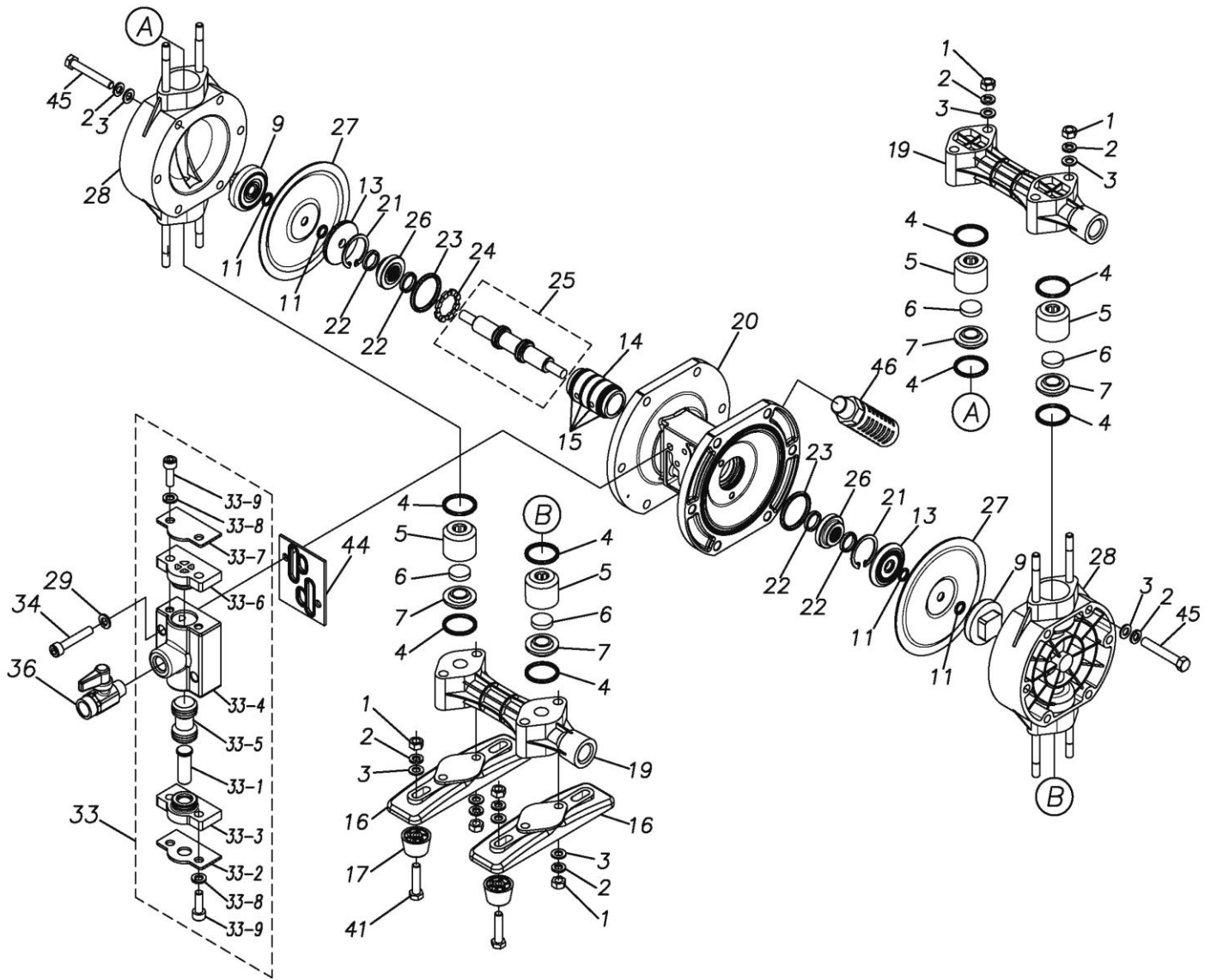
The part list and exploded view drawing as attached below indicate the full list of parts for the above mentioned pump model.

When ordering parts take care to select the correct model pump and required parts. Also be aware that models may change over time as improvements are made so cross-referencing the pumps serial number assembly date and service code are also recommended.

If you require specific spare parts you can also use this form to place your order.

For more information specific to your pump please refer to the pumps Service Book and Operation Manual available separately.

Please contact your Pump Distributor directly for more information.



Ref.No.	Parts No.	Description	Parts Component	Remark	Order Qty
1	9N1210800	NUT M8	12		
2	9W2210800	SPRING LOCK WASHER M8	24		
3	9W1210800	PLAIN WASHER M8	24		
4	9S1EP0029	O RING P-29	8		
5	1E20056PB	VALVE STOPPER	4		
6	1E20020TM	FLAT VALVE	4		
7	1E20057PB	VALVE SEAT	4		
9	1D20011PB	CENTER DISK	2		
13	1E20024AM	CENTER DISK	2		
14	1D30002MM	SLEEVE	1		
15	9S1BJ1026	O RING JASO-1026	4		
16	1E30058PB	BASE	2		
17	1H30055MB	RUBBER FEET	4		
19	1E20058PN	MANIFOLD	2		
20	1D30013MN	BODY	1		
21	9R1120030	RETAINING RING	2		
22	9S2BA0014	PACKING	4		
23	9S1BG0030	O RING G-30	2		
24	1D30014MB	SPACER	1		
25	1D10004MK	CENTER ROD ASSEMBLY	1		
26	1D30015MM	CENTER ROD GUIDE	2		
27	1D20020SB	DIAPHRAGM	2		
28	1E20043PM	OUT CHAMBER	2		
29	9W2210600	SPRING LOCK WASHER M6	2		
33	1D10003MN	VALVE BODY ASSEMBLY	1	The parts of #33 are available with a set as [1D10003MN: VALVE BODY ASSEMBLY]. This is also available individually.	
33-1	1D30007MM	RESET BUTTON	1		
33-2	1D30008MM	REINFORCEMENT PLATE VALVE	1		
33-3	1D30009MB	SPOOL STOPPER LOWER	1		
33-4	1D30010MN	VALVE BODY	1		
33-5	1D10002MK	SPOOL ASSEMBLY	1		
33-6	1D30011MB	SPOOL STOPPER UPPER	1		
33-7	1D30012MM	REINFORCEMENT VALVE UPPER	1		
33-8	9W2210600	SPRING LOCK WASHER M6	4		
33-9	9B3210618	BOLT M6 × 18	4		
34	9B3220635	BOLT M6 × 35	2		
36	1E90002MN	BALL VALVE	1		
41	9B1210835	BOLT M8 × 35	4		
44	1D30017MB	VALVE BODY GASKET	1		
46	1D90001MN	SILENCER	1		

memo