

Exploded View Drawing and Parts List

Model: **TC-X102PH-NPT**

Model Number: **1D00068MNA**

Serial Number:

Service Code:

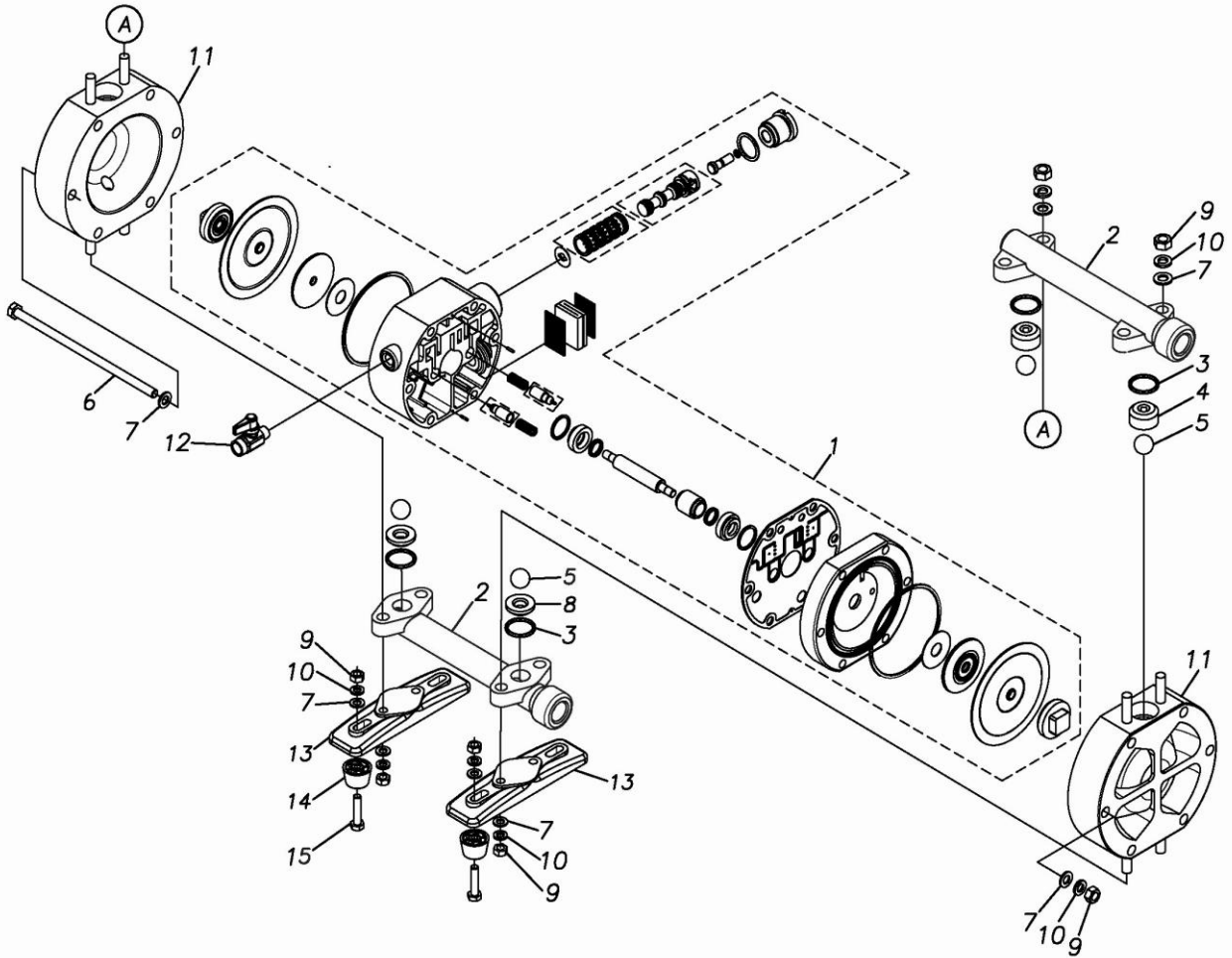
The part list and exploded view drawing as attached below indicate the full list of parts for the above mentioned pump model.

When ordering parts take care to select the correct model pump and required parts. Also be aware that models may change over time as improvements are made so cross-referencing the pumps serial number assembly date and service code are also recommended.

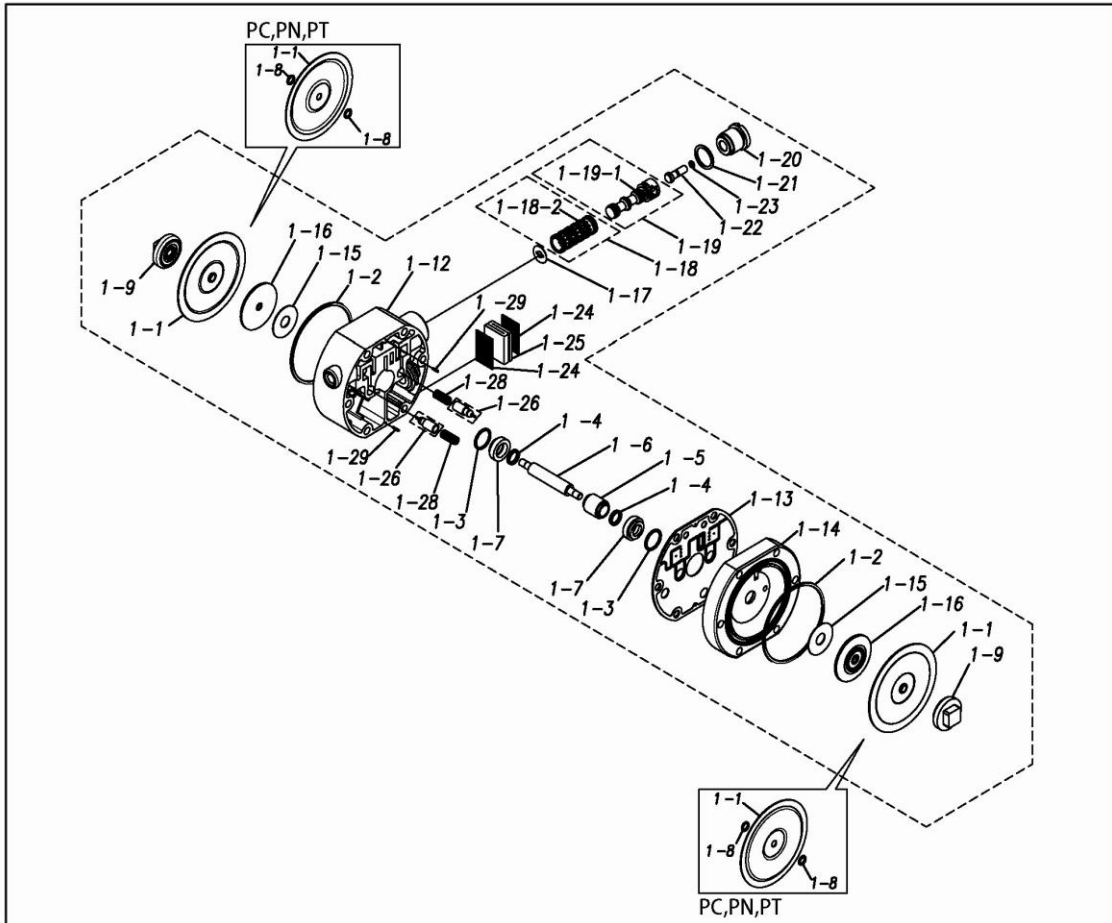
If you require specific spare parts you can also use this form to place your order.

For more information specific to your pump please refer to the pumps Service Book and Operation Manual available separately.

Please contact your Pump Distributor directly for more information.



※ 1



Ref.No.	Parts No.	Description	Parts Component	Remark	Order Qty	
1	1E10010MN	BODY ASSEMBLY	1			
1-1	1D20020HB	DIAPHRAGM	2	The parts of #1 are available with a set as [1E10010MN:BODY ASSEMBLY]. This is also available individually.		
1-2	9S1BG0095	O RING G-95	2			
1-3	9S1BP1022	O RING P-22A	2			
1-4	9S2BA0014	PACKING	2			
1-5	1E30050MB	CENTER ROD GUIDE	1			
1-6	1E20040MM	CENTER ROD	1			
1-7	1E30051MB	BUSHING	2			
1-9	1D20011PB	CENTER DISK	2			
1-12	1E30052MN	BODY A	1			
1-13	1E30053MB	GASKET	1			
1-14	1E30054MM	BODY A	1			
1-15	1E30023MB	CUSHION	2			
1-16	1E30022MB	CENTER DISK	2			
1-17	1E30025MB	CUSHION	1			
1-18	1E10004MK	SLEEVE ASSEMBLY	1			
1-18-1	9S1BA0018	O RING AS568-018	6		The parts of #1-18 are available with a set as [1E10004MK:SLEEVE ASSEMBLY]. This is also available individually.	
1-19	1E10024MK	C SPOOL ASSEMBLY	1		The parts of #1 are available with a set as [1E10010MN:BODY ASSEMBLY]. This is also available individually.	
1-19-1	1E30031MM	SEAL RING	5		The parts of #1-19 are available with a set as [1E10024MK:C SPOOL ASSEMBLY]. This is also available individually.	
1-20	1E30026MM	CAP	1	The parts of #1 are available with a set as [1E10010MN:BODY ASSEMBLY]. This is also available individually.		
1-21	9S1BP0024	O RING P-24	1			
1-22	1E30027MM	RESET BUTTON	1			
1-23	9S1BP0005	O RING P-5	1			
1-24	1C30015MB	MESH	2			
1-25	1C30014MB	SILENCER	1			
1-26	1E10025MK	PILOT VALVE ASSEMBLY	2			
1-28	1E30024MM	SPRING	2			
1-29	9R2112008	SPRING PIN ϕ 2 × 8	2			
2	1D20024PN	MANIFOLD	2			
3	9S1BP0021	O RING P-21	2			
4	1D20002PB	VALVE STOPPER	2			
5	1D20005BB	BALL	4			
6	9B1290811	BOLT M8 × 165	6			
7	9W1210800	PLAIN WASHER M8	24			
8	1D20008PM	VALVE SEAT	2			
9	9N1210800	NUT M8	18			
10	9W2210800	SPRING LOCK WASHER M8	14			
11	1D20021PM	OUT CHAMBER	2			
12	1E90002MN	BALL VALVE	1			
13	1D30020PB	BASE	2			
14	1H30055MB	RUBBER FEET	4			
15	9B1210835	BOLT M8 × 35	4			

memo