

Exploded View Drawing and Parts List

Model: **TC-X050PT-NPT**

Model Number: **1C00023MNA**

Serial Number:

Service Code:

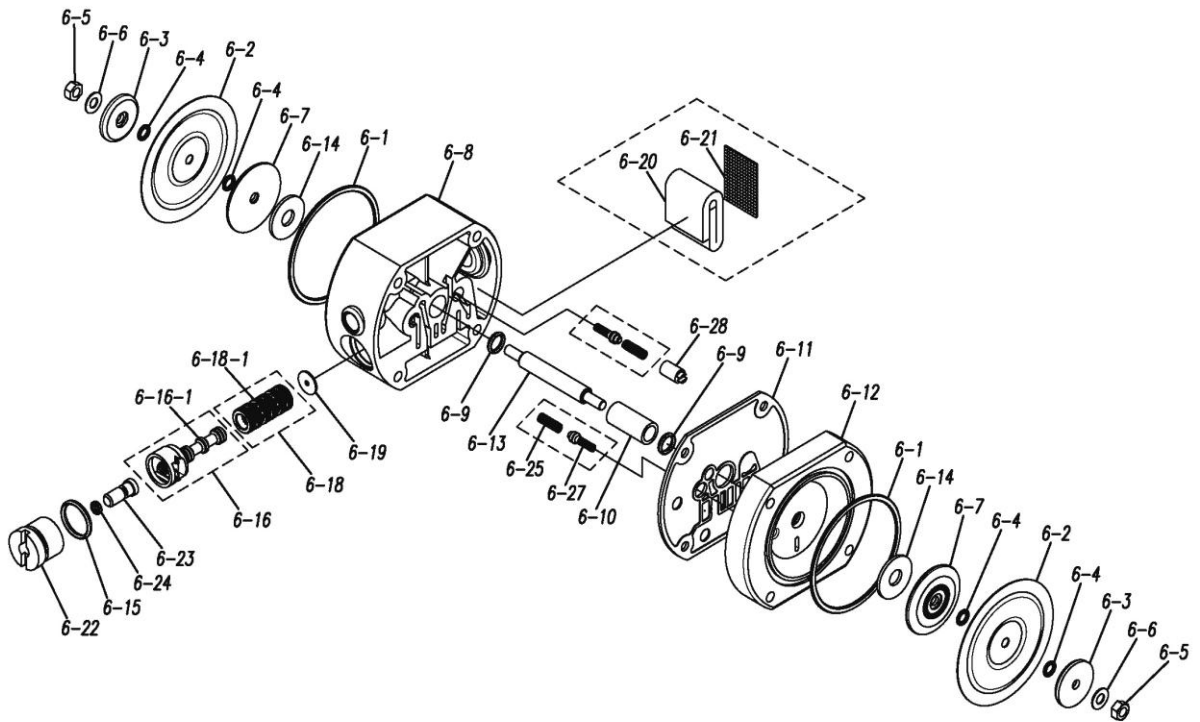
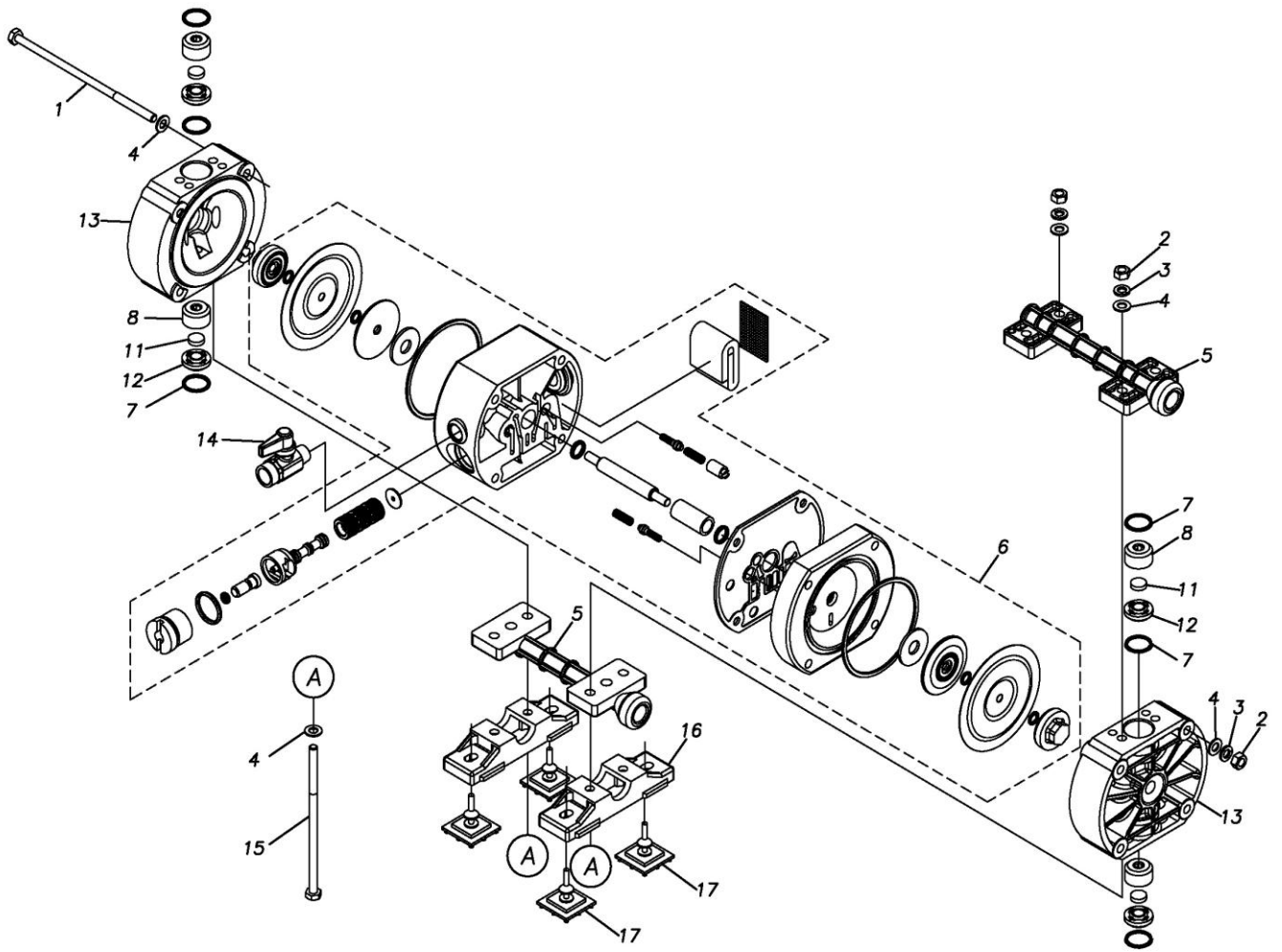
The part list and exploded view drawing as attached below indicate the full list of parts for the above mentioned pump model.

When ordering parts take care to select the correct model pump and required parts. Also be aware that models may change over time as improvements are made so cross-referencing the pumps serial number assembly date and service code are also recommended.

If you require specific spare parts you can also use this form to place your order.

For more information specific to your pump please refer to the pumps Service Book and Operation Manual available separately.

Please contact your Pump Distributor directly for more information.



Ref.No.	Parts No.	Description	Parts Component	Remark	Order Qty	
1	9B1290602	BOLT M6 × 140	4			
2	9N1210600	NUT M6	8			
3	9W2210600	SPRING LOCK WASHER M6	8			
4	9W1210600	PLAIN WASHER M6	16			
5	1C20010PN	MANIFOLD	2			
6	1C10021MN	BODY ASSEMBLY	1			
6-1	9S1BG0070	O RING G-70	2	The parts of #6 are available with a set as [1C10021MN: BODY ASSEMBLY]. This is also available individually.		
6-2	1C20007T2	DIAPHRAGM	2			
6-3	1C20024PB	CENTER DISK	2			
6-4	9S1TP0006	O RING P-6	4			
6-7	1C30032MM	CENTER DISK	2			
6-8	1C30008MN	BODY L	1			
6-9	9S2BA0010	PACKING	2			
6-10	1C30009MB	BUSHING	1			
6-11	1C30010MB	GASKET	1			
6-12	1C30011MM	BODY S	1			
6-13	1C20009MM	CENTER ROD	1			
6-14	1H30027MB	CUSHION	2			
6-15	9S1BP0020	O RING P-20	1			
6-16	1C10017MK	C SPOOL ASSEMBLY	1			
6-16-1	1C30024MM	SEAL RING	5		The parts of #6-16 are available with a set as [1C10017MK: C SPOOL ASSEMBLY]. This is also available individually.	
6-18	1C10011MK	SLEEVE ASSEMBLY	1		The parts of #6 are available with a set as [1C10021MN: BODY ASSEMBLY]. This is also available individually.	
6-18-1	9S1B90005	O RING	6	The parts of #6-18 are available with a set as [1C10011MK: SLEEVE ASSEMBLY]. This is also available individually.		
6-19	1C30013MB	CUSHION	1	The parts of #6 are available with a set as [1C10021MN: BODY ASSEMBLY]. This is also available individually.		
6-20	1C30014MB	SILENCER	1			
6-21	1C30015MB	MESH	1			
6-22	1C30016MM	CAP	1			
6-23	1C30017MM	RESET BUTTON	1			
6-24	9S1BP0005	O RING P-5	1			
6-25	1C30018MM	SPRING	2			
6-27	1C10004MK	PILOT VALVE ASSEMBLY	2			
6-28	1C30019MB	STOPPER	1			
7	9S1TP0016	O RING P-16	6			
8	1C20011PB	VALVE STOPPER	4			
11	1C20012TM	FLAT VALVE	4			
12	1C20013PB	VALVE SEAT	4			
13	1C20020PM	OUT CHAMBER	2			
14	1E90002MN	BALL VALVE	1			
15	9B1290601	BOLT M6 × 125	4			
16	1C30030MB	BASE	2			
17	1C30031MB	RUBBER FEET	4			

memo