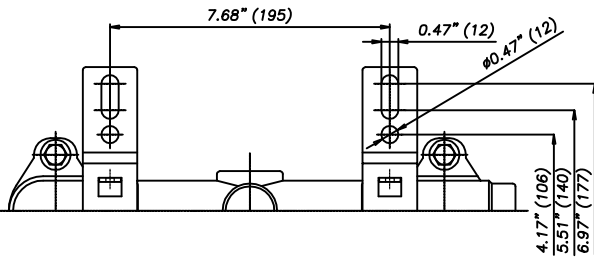
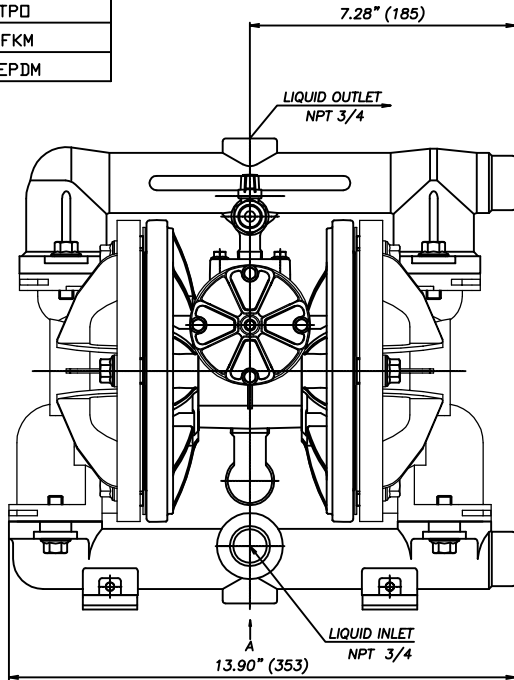
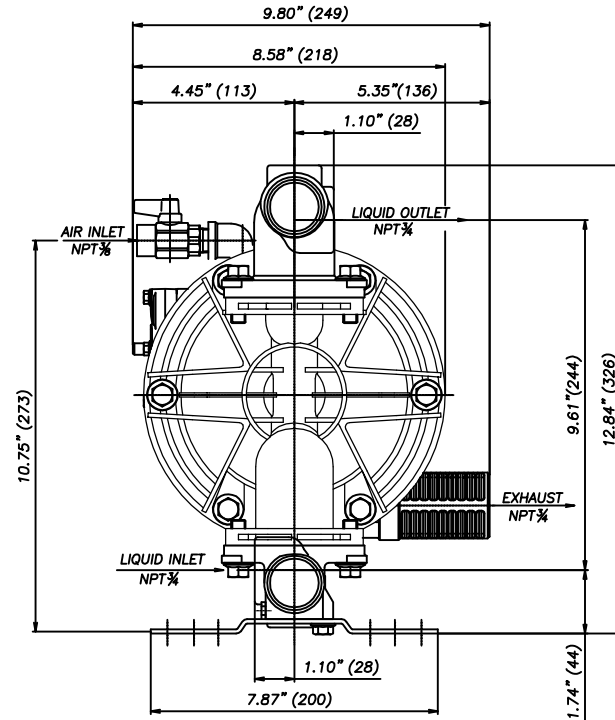



Materials of Construction	
PUMP BODY MATERIAL	AL
CENTER BODY	AL
DIAPHRAGM MATERIAL	C=CR
	N=NBR
	T=PTFE
	H=TPEE
	S=TPD
	V=FKM
	E=EPDM



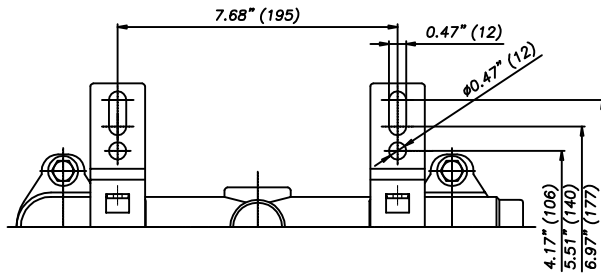
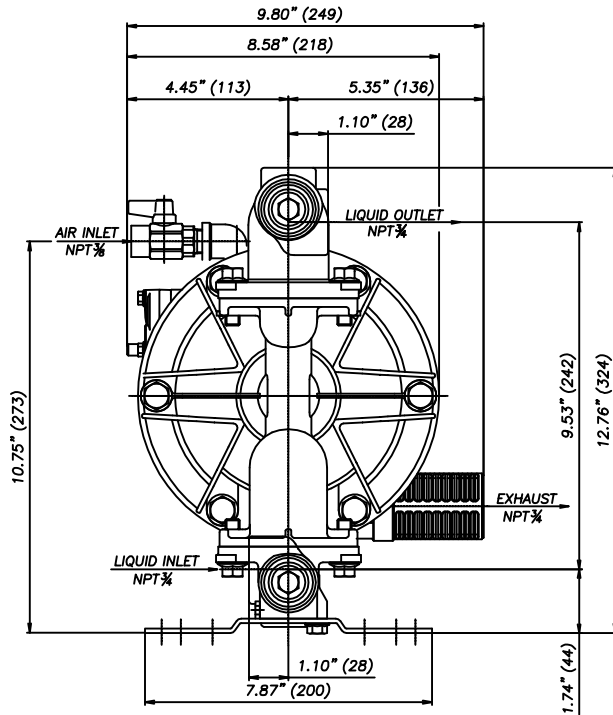
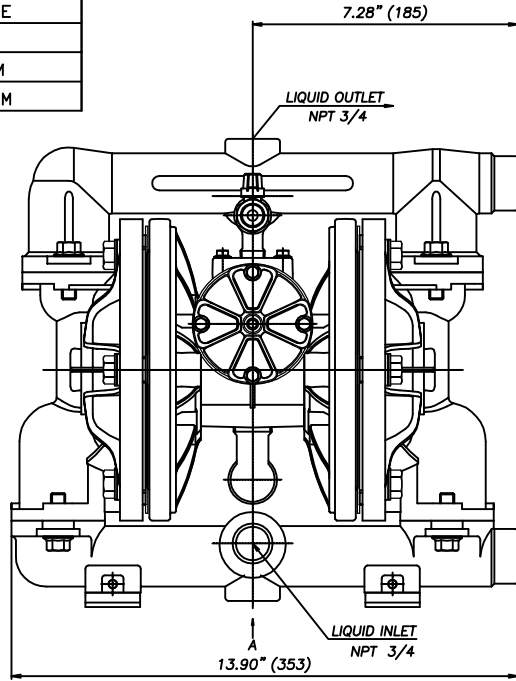
NOTES:
1. SOME FEATURES MAY VARY SLIGHTLY.

REVISIONS			
REV	DESCRIPTION	DATE	APPROVED
A	RELEASED	10/24/2017	CJC
B	203 NEW SERIES - ECO 2927	8/23/2019	CJC




PROPRIETARY THIS DRAWING CONTAINS CONFIDENTIAL INFORMATION PROPRIETARY TO IWAKI AMERICA. IT MUST NOT BE REPRODUCED OR FORWARDED TO OTHERS OR USED IN ANY OTHER WAY, IN WHOLE OR IN PART, UNLESS AUTHORIZED IN WRITING BY IWAKI AMERICA.		TOLERANCES DIMENSIONS IN INCHES ØMMD UNLESS OTHERWISE NOTED X = .050 .XX = .010 .XXX = .00 DEBURR AND BREAK ALL SHARP EDGES		 www.IwakiAir.com 5 Boynton Rd. Hopping Brook Park Holliston, MA 01746 (508) 429-1440	
MATERIAL		SIZE		DESCRIPTION	
SEE CHART		B		TC-X203A-MT-NPT	
BY	DATE	SCALE:	DWG NO.	THIRD ANGLE PROJECTION	REV
JP	8/23/2019	FULL	TC-X00163	☉	B
APPROVED	DATE	SHEET:		1 OF 1	
CJC	8/23/2019	1 OF 1			

Materials of Construction	
PUMP BODY MATERIAL	SUS
CENTER BODY	AL
DIAPHRAGM MATERIAL	C=CR
	N=NBR
	T=PTFE
	H=TPEE
	S=TPD
	V=FKM
	E=EPDM



NOTES:
1. SOME FEATURES MAY VARY SLIGHTLY.

REVISIONS			
REV	DESCRIPTION	DATE	APPROVED
A	RELEASED	10/24/2017	CJC
B	203 NEW SERIES - ECO 2927	8/23/2019	CJC

PROPRIETARY THIS DRAWING CONTAINS CONFIDENTIAL INFORMATION PROPRIETARY TO IWAKI AMERICA. IT MUST NOT BE REPRODUCED OR FORWARDED TO OTHERS OR USED IN ANY OTHER WAY, IN WHOLE OR IN PART, UNLESS AUTHORIZED IN WRITING BY IWAKI AMERICA.		TOLERANCES DIMENSIONS IN INCHES 0.00 UNLESS OTHERWISE NOTED X = .050 .XX = .010 .XXX = .00 DEBURR AND BREAK ALL SHARP EDGES		 www.IwakiAir.com 5 Boynton Rd. Hopping Brook Park Holliston, MA 01746 (508) 429-1440	
MATERIAL		SEE CHART		DESCRIPTION	
BY	DATE	SIZE	DWG NO.	REV	
JP	8/23/2019	B	TC-X00164	B	
APPROVED	DATE	SCALE:	THIRD ANGLE PROJECTION	SHEET: 1 OF 1	
CJC	8/23/2019	FULL	