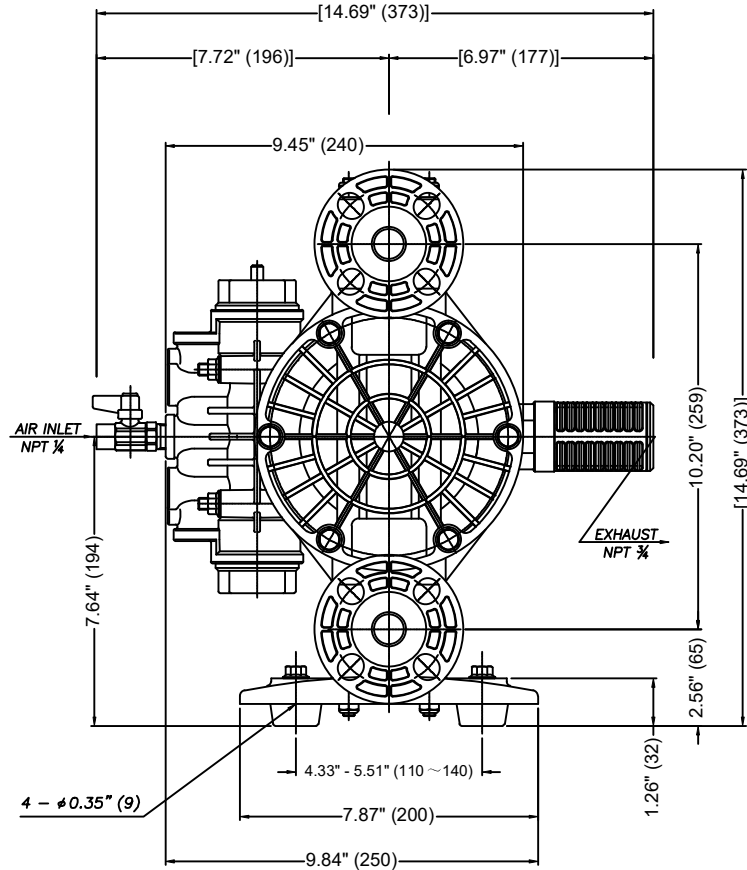
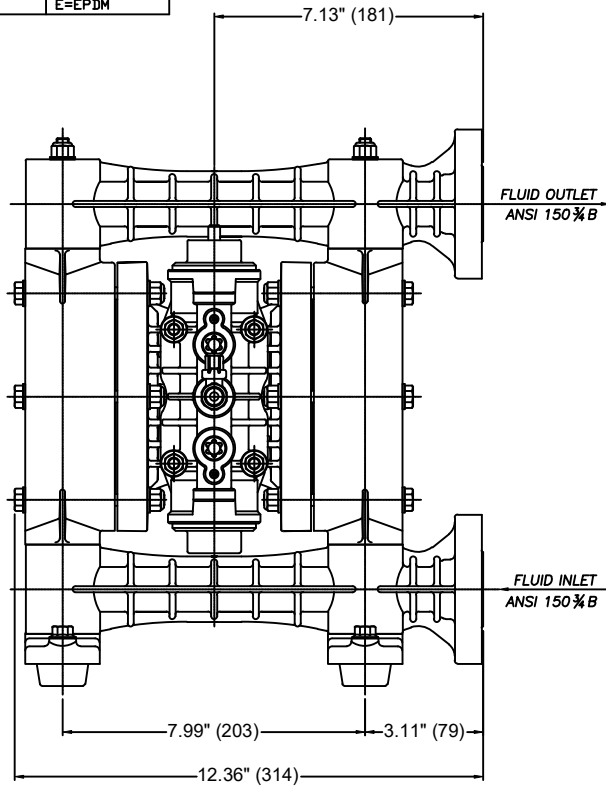


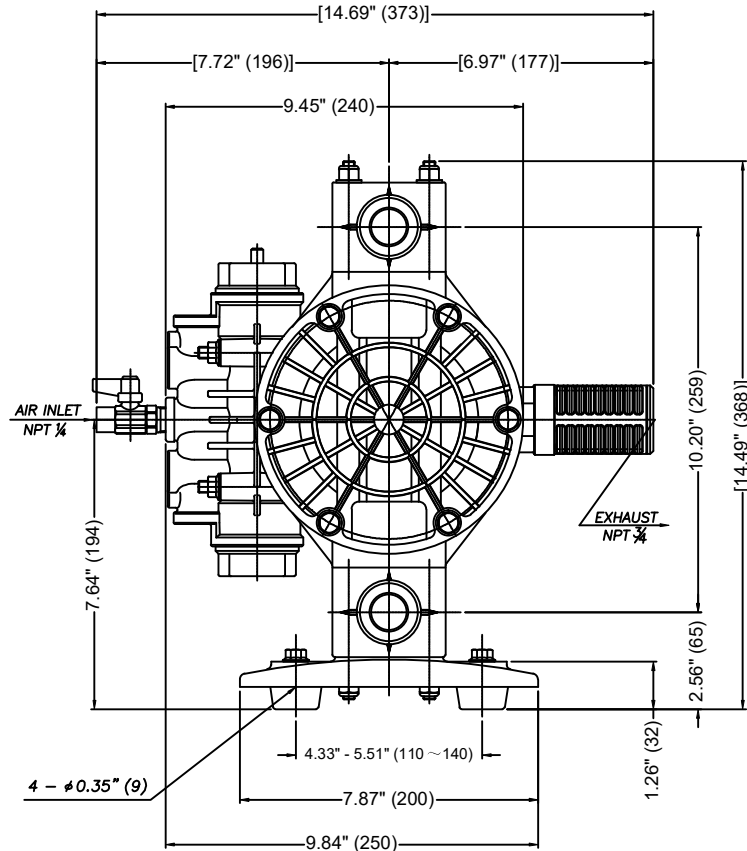
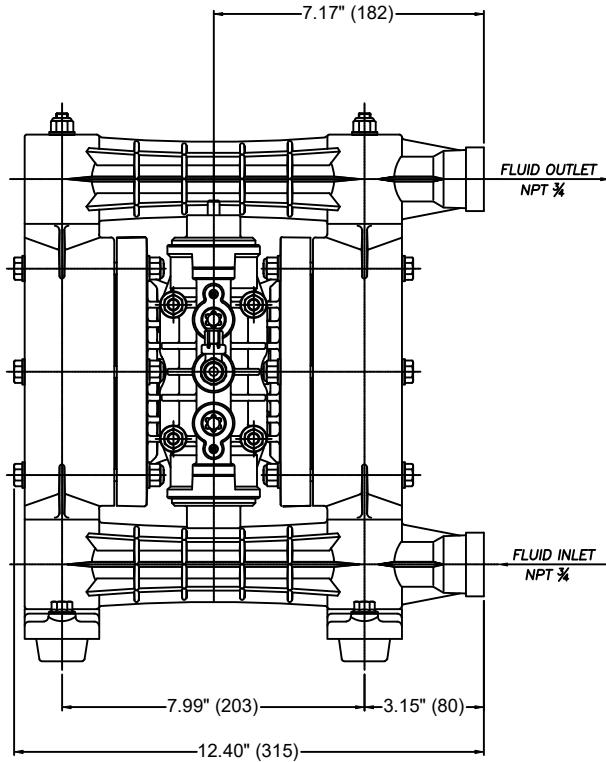
Materials of Construction	
PUMP BODY MATERIAL	PPG
	C=CR
	N=NBR
	T=PTFE
DIAPHRAGM MATERIAL	H=TPEE
	S=TPD
	V=FKM
	E=EPDM



PROPRIETARY THIS DRAWING CONTAINS CONFIDENTIAL INFORMATION PROPRIETARY TO IWAKI AMERICA. IT MUST NOT BE REPRODUCED OR FORWARDED TO OTHERS OR USED IN ANY OTHER WAY, IN WHOLE OR IN PART, UNLESS AUTHORIZED IN WRITING BY IWAKI AMERICA.		TOLERANCES DIMENSIONS IN INCHES UNLESS OTHERWISE NOTED X = .050 .XX = .010 .XXX = .005 DEBURR AND BREAK ALL SHARP EDGES		 www.lwakiAir.com		5 Boynton Rd. Hopping Brook Park Holliston, MA 01746 (508) 429-1440	
MATERIAL		SEE CHART		DESCRIPTION		REV	
BY	TK	DATE	9/4/2015	SIZE	B	DWG NO.	TC-X00124
APPROVED	CJC	DATE	9/25/2015	SCALE:	FULL	THIRD ANGLE PROJECTION	☉
						SHEET:	1 OF 1

NOTES:
1. SOME FEATURES MAY VARY SLIGHTLY.

Materials of Construction	
PUMP BODY MATERIAL	PPG
	C=CR
	N=NBR
	T=PTFE
DIAPHRAGM MATERIAL	H=TPEE
	S=TPD
	V=FKM
	E=EPDM



NOTES:
1. SOME FEATURES MAY VARY SLIGHTLY.

PROPRIETARY THIS DRAWING CONTAINS CONFIDENTIAL INFORMATION PROPRIETARY TO IWAKI AMERICA. IT MUST NOT BE REPRODUCED OR FORWARDED TO OTHERS OR USED IN ANY OTHER WAY, IN WHOLE OR IN PART, UNLESS AUTHORIZED IN WRITING BY IWAKI AMERICA.		TOLERANCES DIMENSIONS IN INCHES UNLESS OTHERWISE NOTED X = .050 .XX = .010 .XXX = .005 DEBURR AND BREAK ALL SHARP EDGES		 www.lwakiAir.com		5 Boynton Rd. Hopping Brook Park Holliston, MA 01746 (508) 429-1440	
MATERIAL		SEE CHART		DESCRIPTION		REV	
BY	DATE	SIZE	DWG NO.	DESCRIPTION		REV	
TK	9/4/2015	B	TC-X00125	TC-X202P		A	
APPROVED	DATE	SCALE: FULL		THIRD ANGLE PROJECTION	SHEET: 1 OF 1		
CJC	9/25/2015						