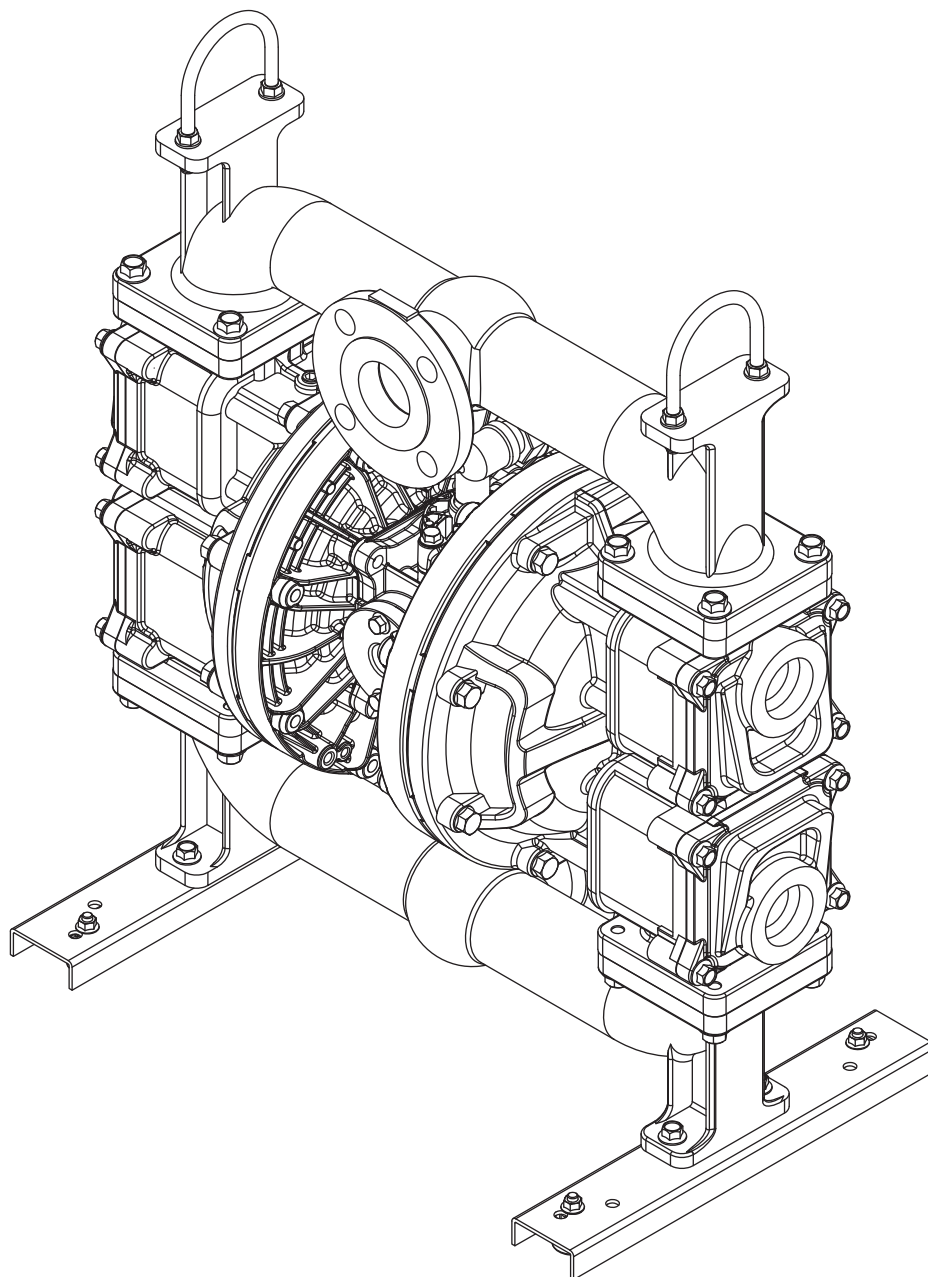




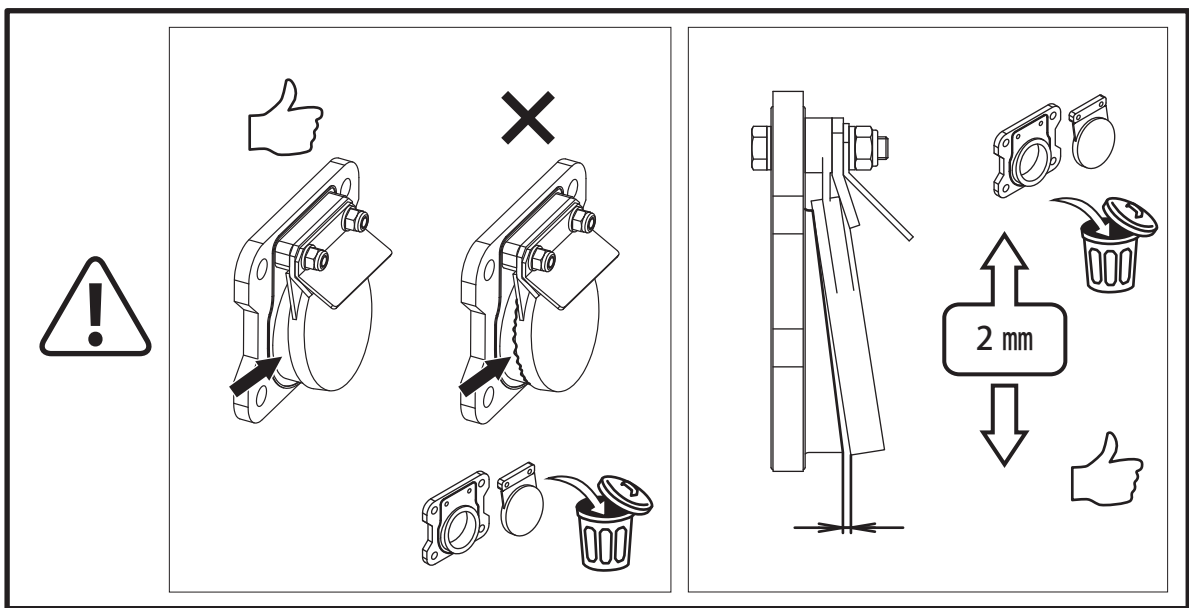
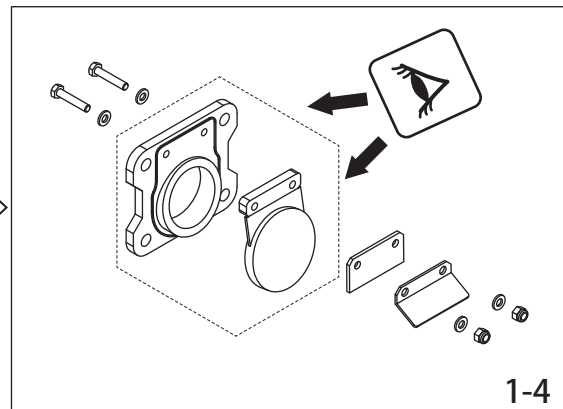
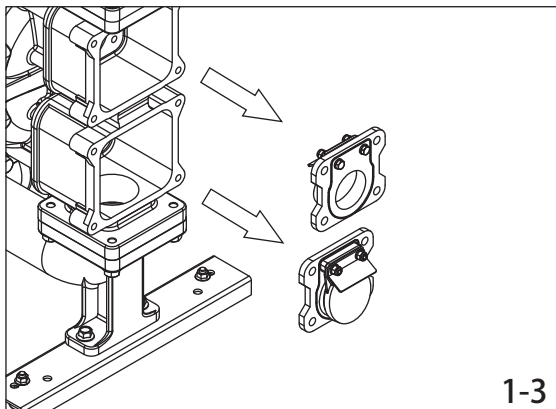
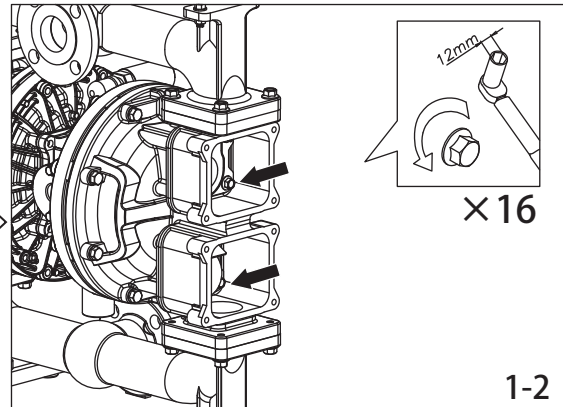
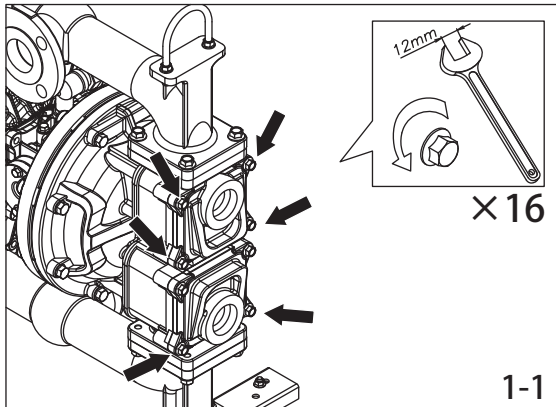
# PUMP SERVICE BOOK



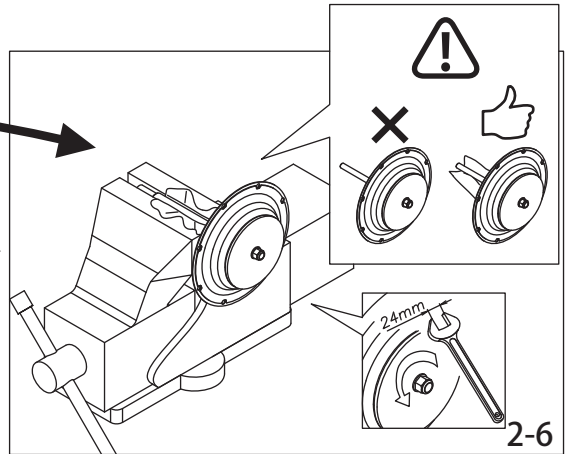
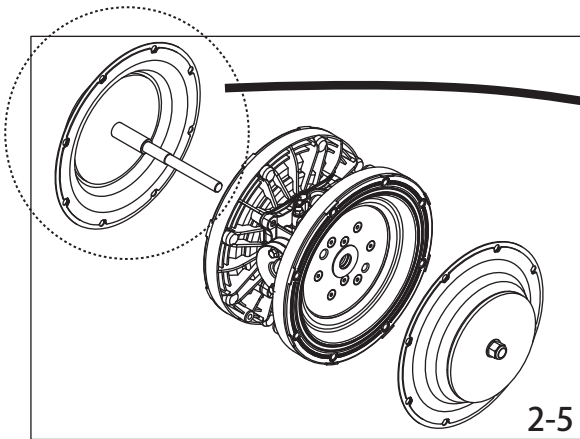
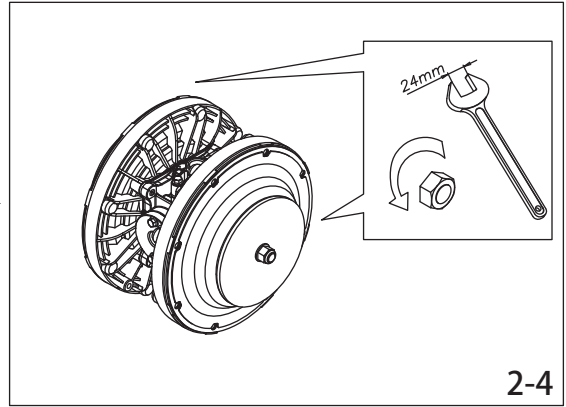
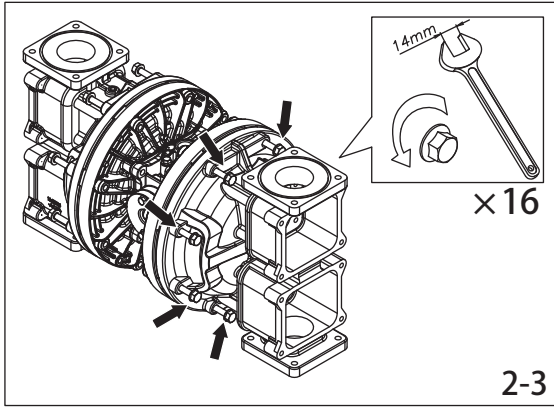
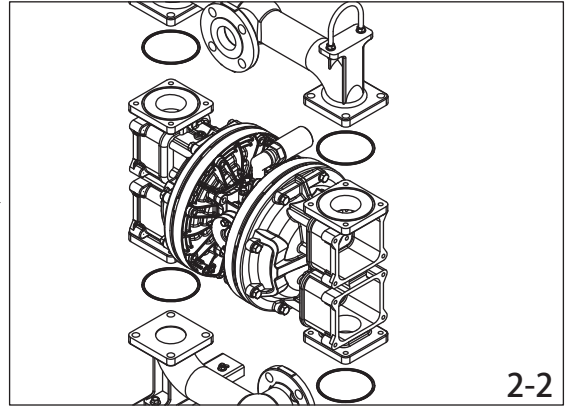
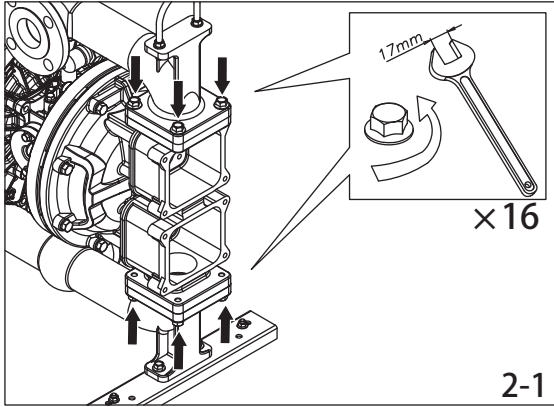
**TC-X500A-HV-FL**

**Series Pumps**

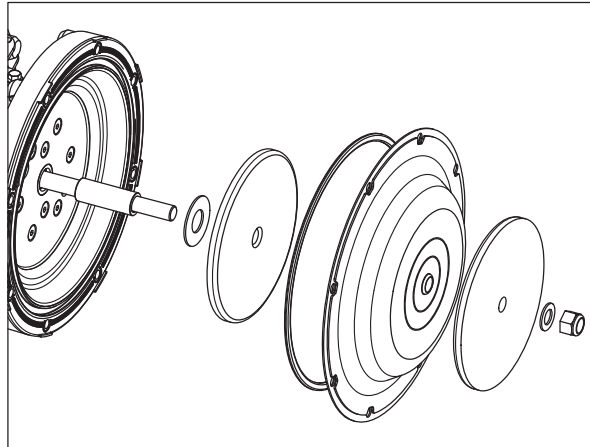




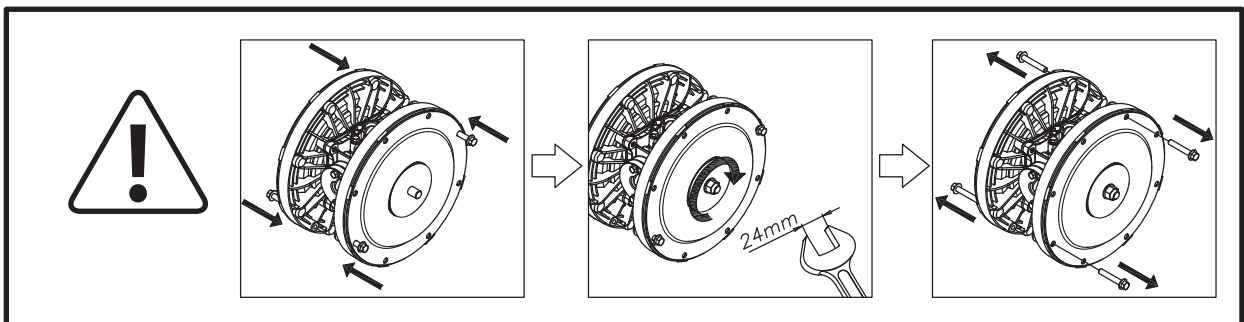
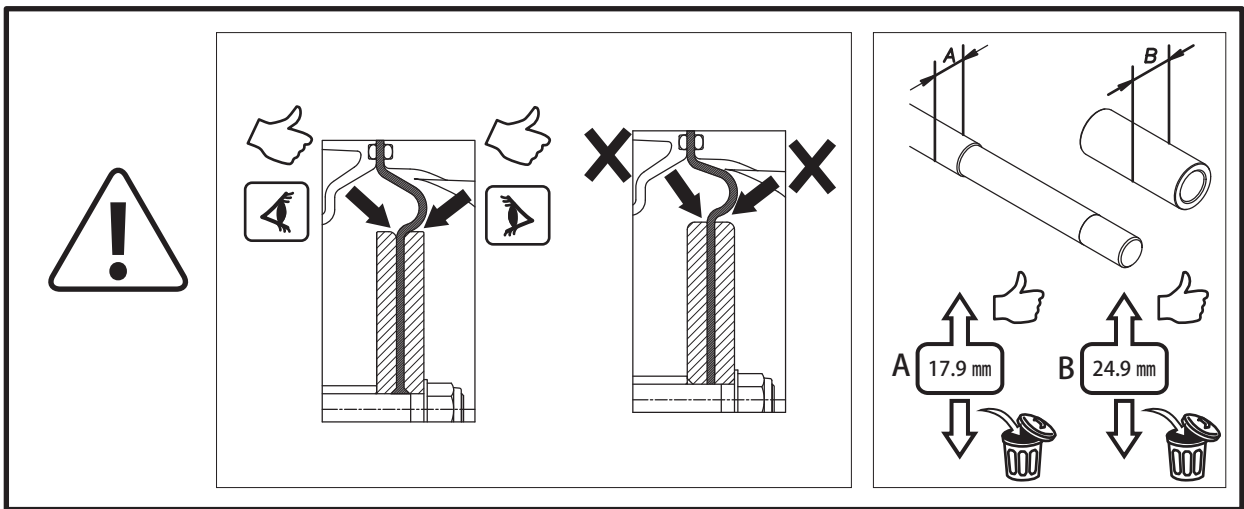
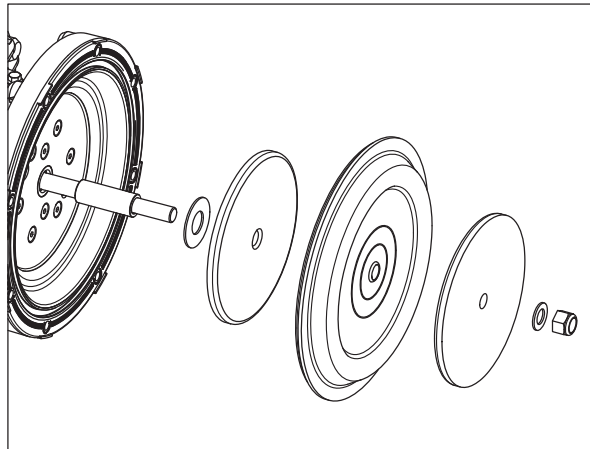
# 2



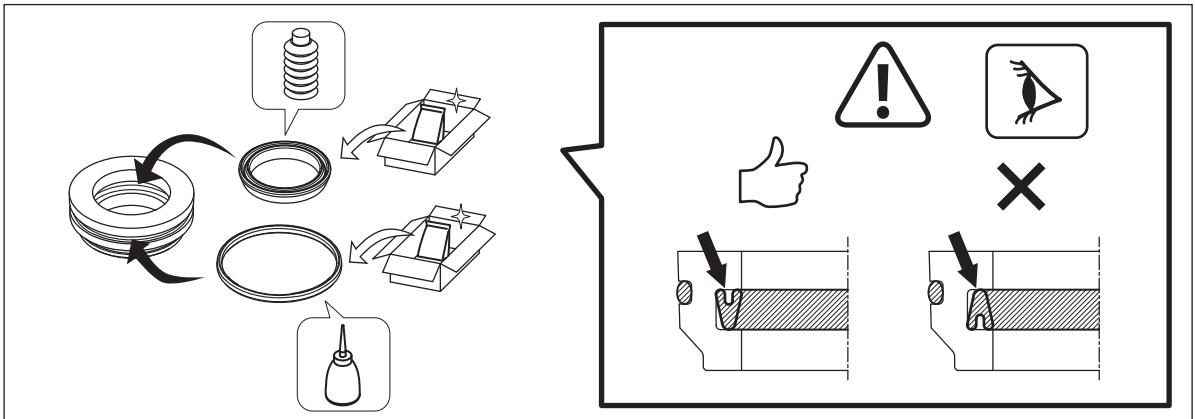
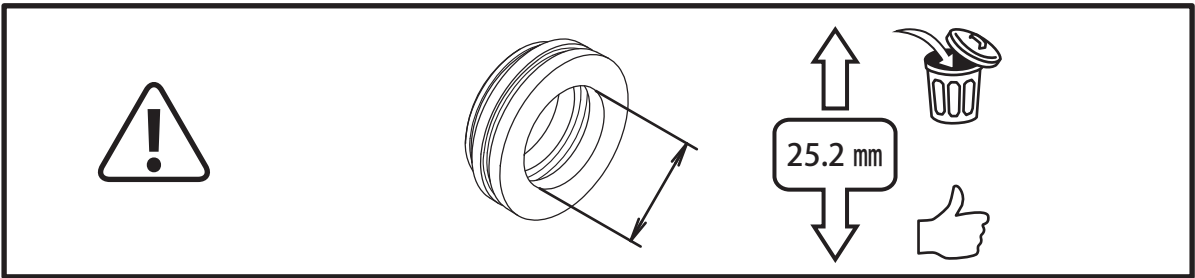
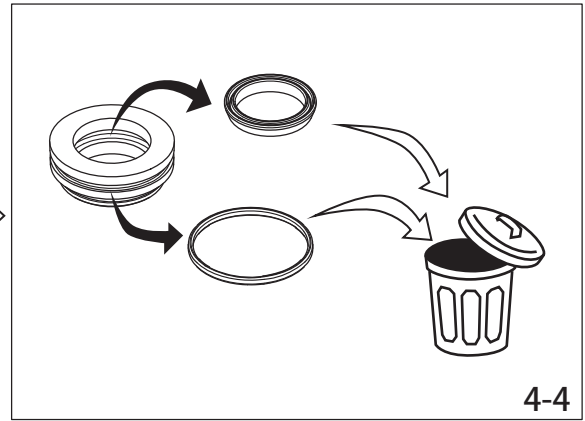
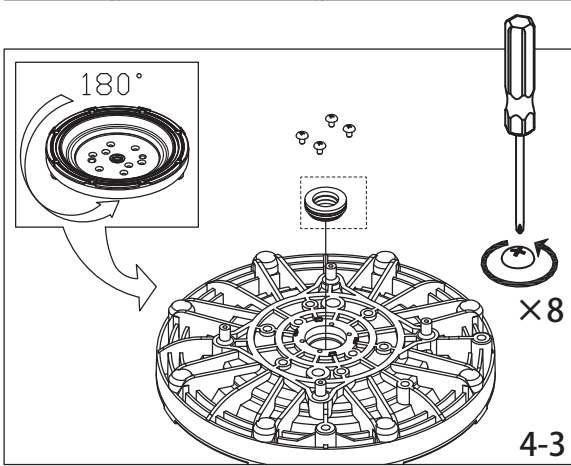
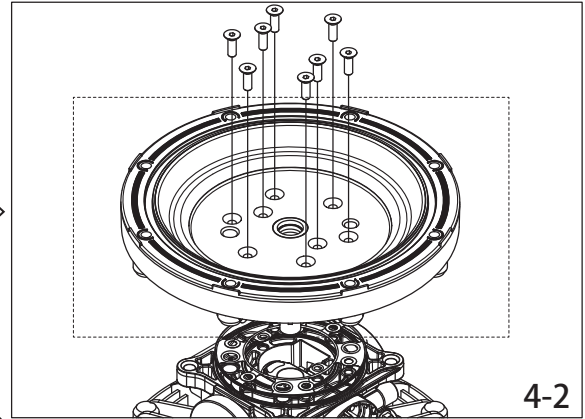
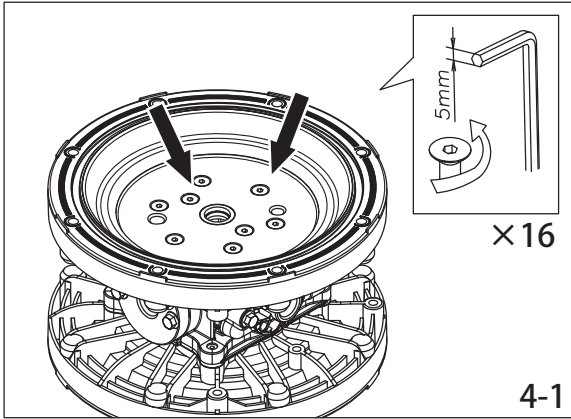
3-①  
AN

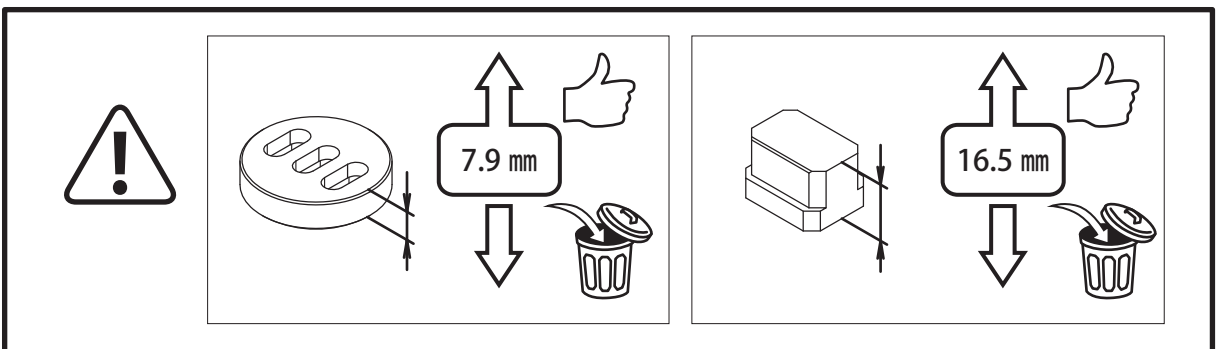
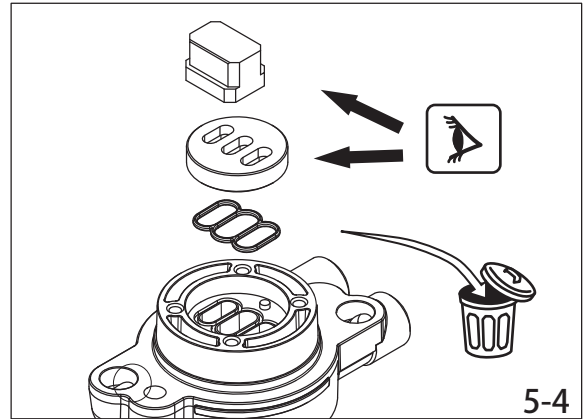
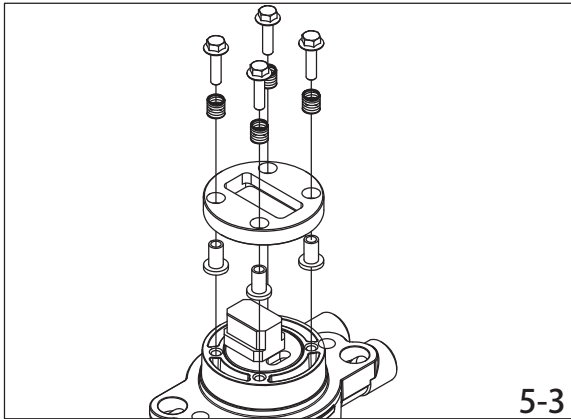
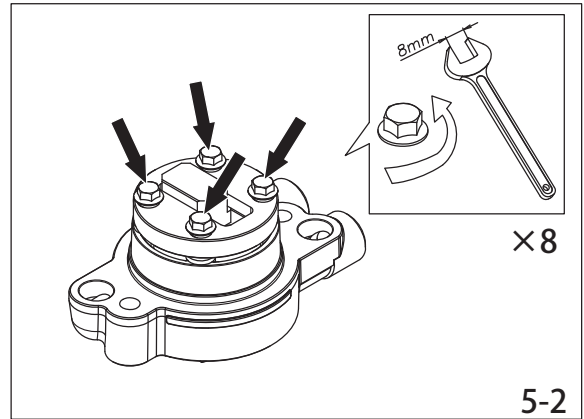
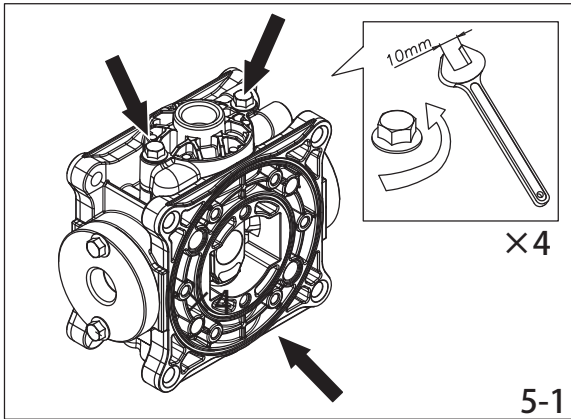


3-②  
AS

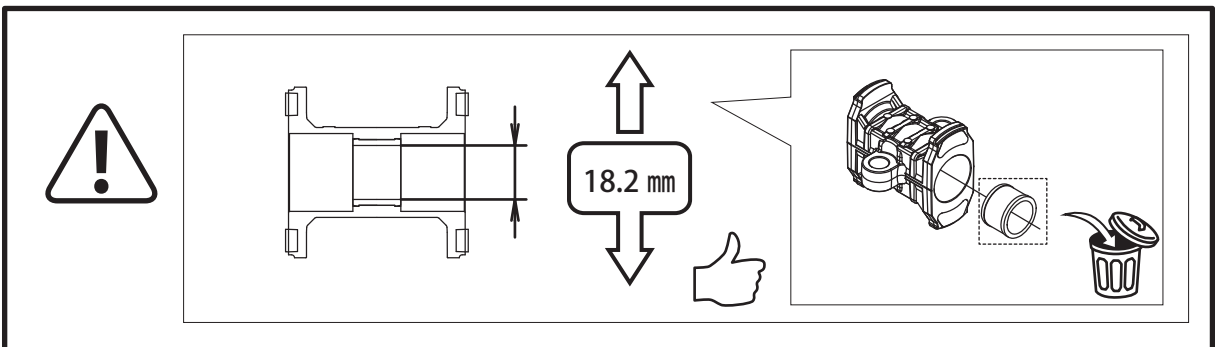
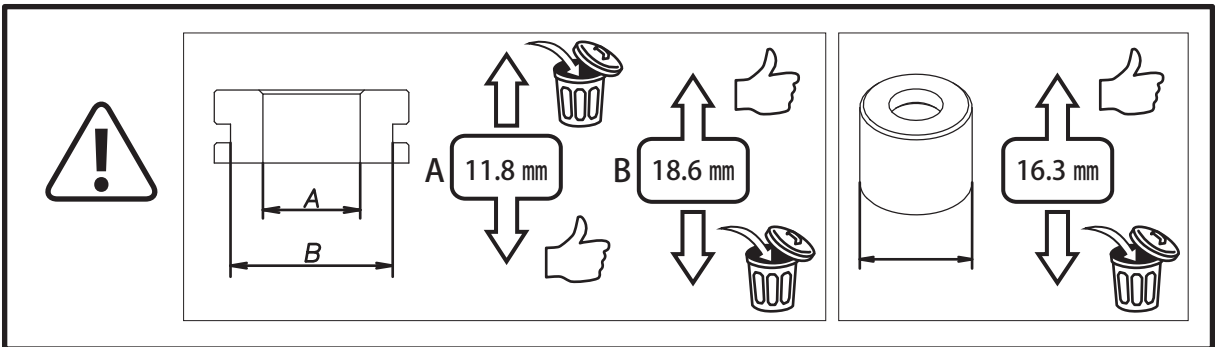
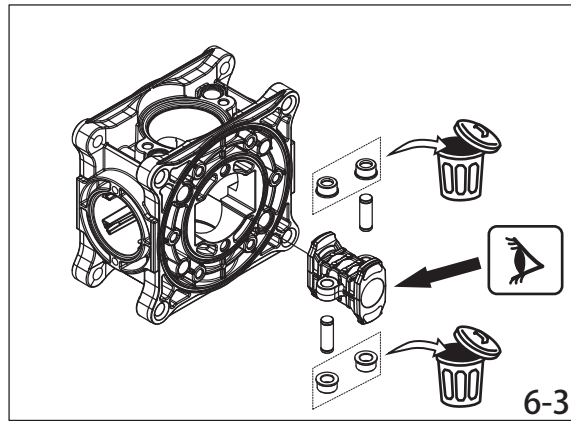
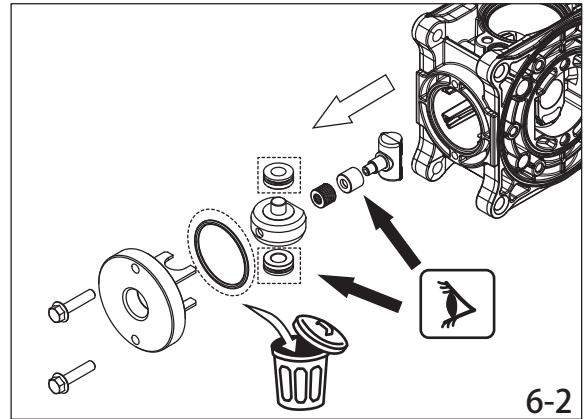
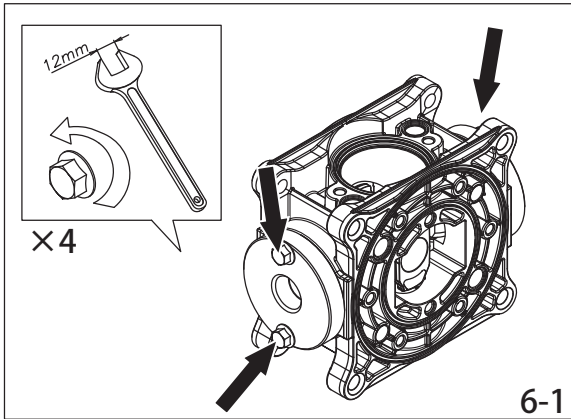


# 4

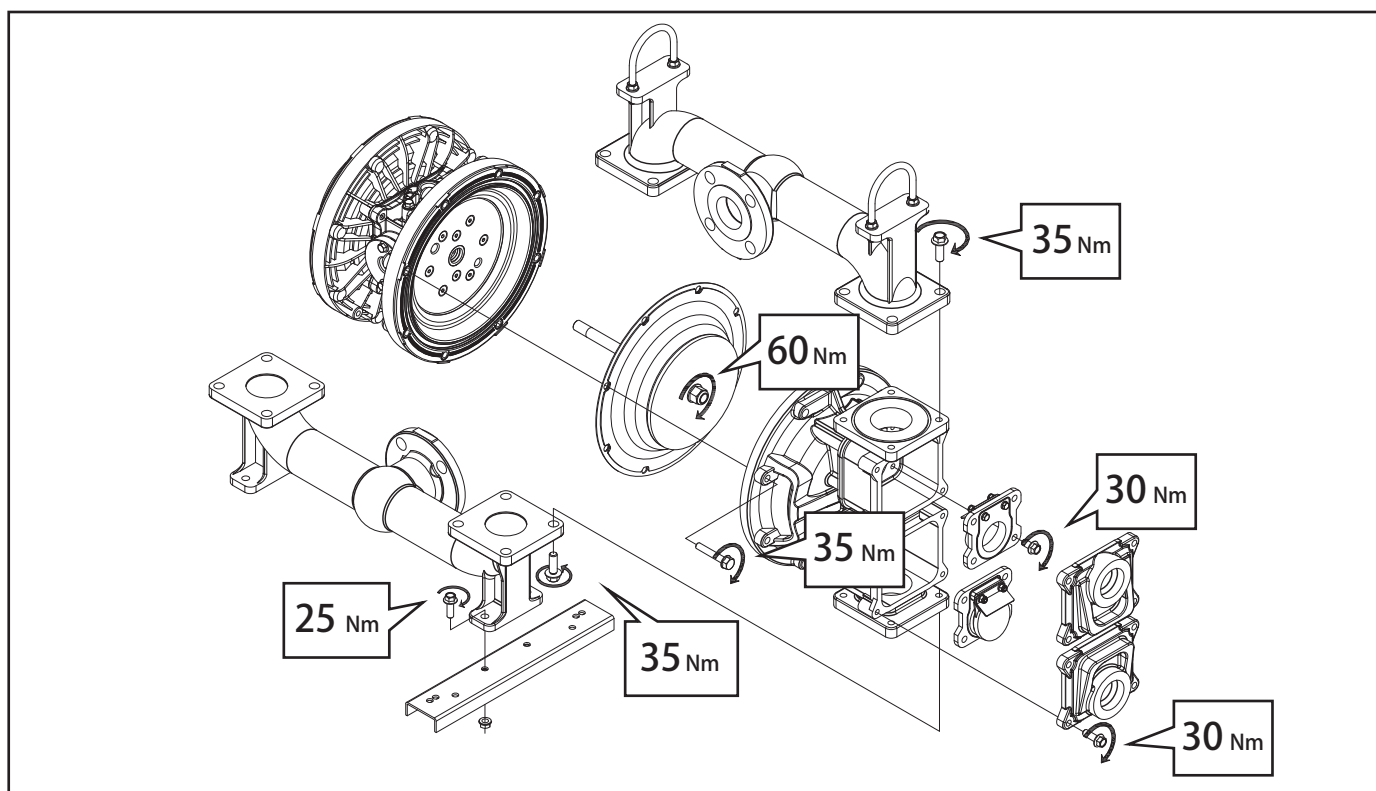
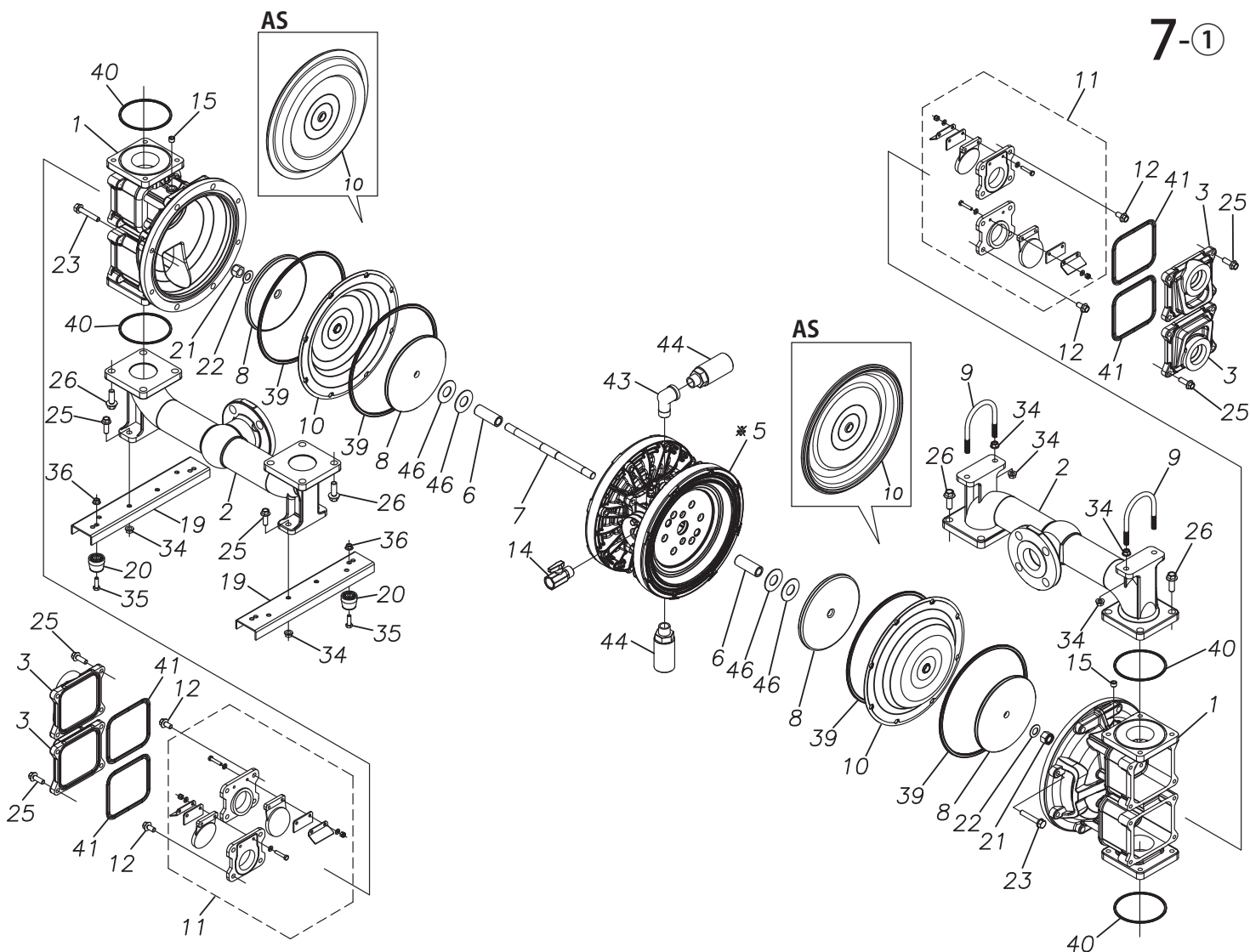




# 6







# 7

7-②

