

# Air-Operated Double Diaphragm Pump Dampener

**IWAKI AIR**

## Dampener designed specifically for AODD Pumps

The Blacoh AODDampener is specifically designed for AODD pumps and constructed of 316L Stainless Steel with a PTFE backed diaphragm. This single configuration will allow the unit to handle most AODD applications and is great for off-the-shelf capabilities.



The AODDampener is sourced, manufactured and assembled to ISO 9001 :2008 standards.

## Features and Benefits

- Market responsive to customer needs
- Protects in-line equipment
- Compact footprint
- Standardized for off-the-shelf capabilities
- Bulk discounts available



All units have a PTFE backed diaphragm



All units have a 316L Stainless Steel Housing



1", 1.5" and 2" FNPT & BSP Connections



Fully Automatic Air Control

# Air-Operated Double Diaphragm Pump Dampener



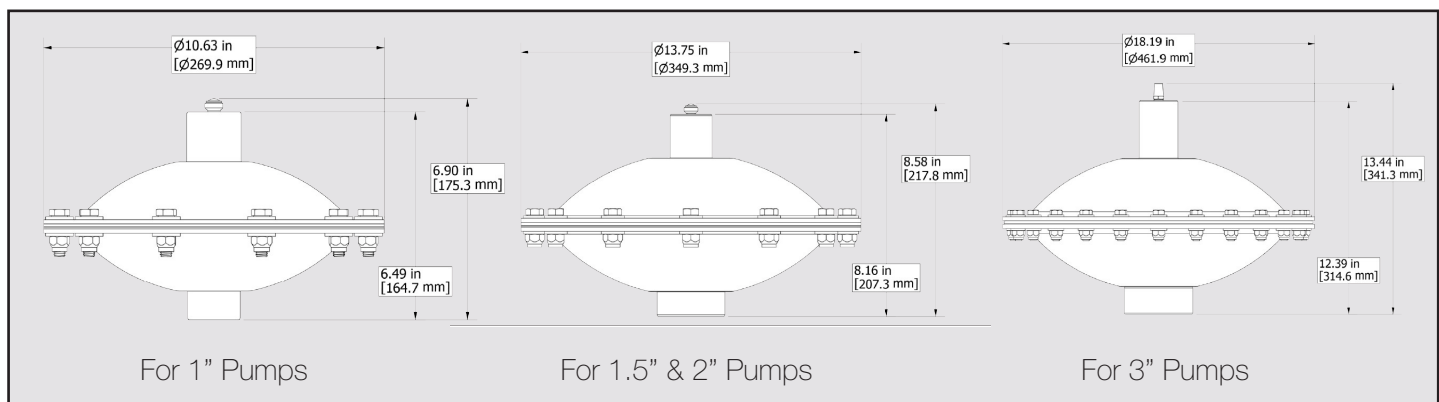
## SPECIFICATIONS

AODD PUMP SIZE	DAMPENER PART#	SPARE PARTS KIT NUMBER
<b>1.0" (25.4 mm)</b>	AOD-10-NPT AOD-10-BSP	AOD-10-100
<b>1.5" (38.1 mm)</b>	AOD-15-NPT AOD-15-BSP	AOD-15-100
<b>2.0" (50.8 mm)</b>	AOD-20-NPT AOD-20-BSP	AOD-20-100
<b>3.0" (76.2 mm)</b>	AOD-30-NPT AOD-30-BSP	AOD-30-100

ATEX Certification also available. Add -AT to the end of the part number.

- OPTIONAL CERTIFICATIONS: ATEX
- PRESSURE RATING: 150 PSI/0.3 BAR
- 316L STAINLESS STEEL HOUSING
- PTFE BACKED DIAPHRAGM
- FITS 1.0 / 1.5 / 2.0 / 3.0" AODD PUMPS
- FNPT OR BSP INLET CONNECTION

## DIMENSIONS



Our newly designed fully automatic air control is connected internally to the diaphragm and automatically adjusts when needed for low air consumption.



Five Boynton Road, Holliston, MA 01746 USA  
Tel: 508-429-1440 / service@iwaki-america.com / www.IwakiAir.com

IALT00482.A