

Exploded View Drawing and Parts List

Model: **TC-X202VV-NPT**

Model Number: **1G00072MN**

Serial Number:

Service Code:

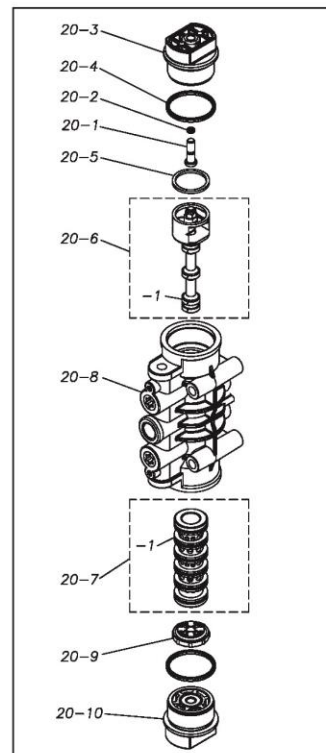
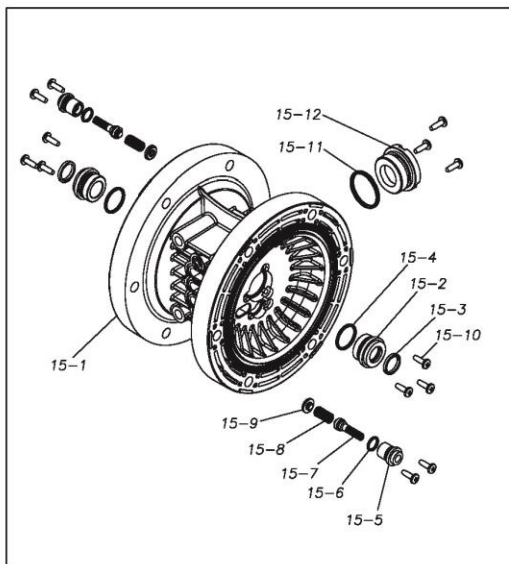
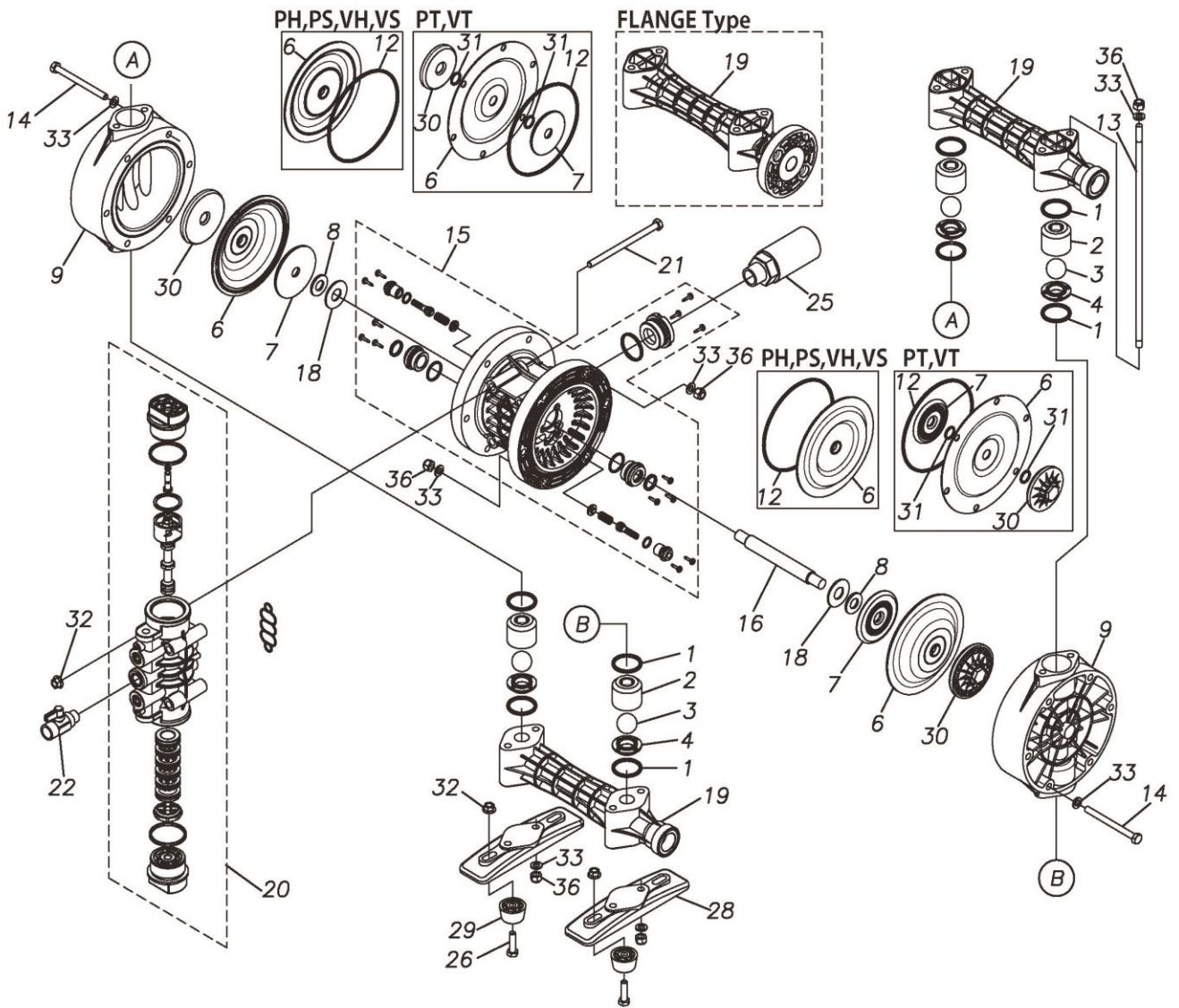
The part list and exploded view drawing as attached below indicate the full list of parts for the above mentioned pump model.

When ordering parts take care to select the correct model pump and required parts. Also be aware that models may change over time as improvements are made so cross-referencing the pumps serial number assembly date and service code are also recommended.

If you require specific spare parts you can also use this form to place your order.

For more information specific to your pump please refer to the pumps Service Book and Operation Manual available separately.

Please contact your Pump Distributor directly for more information.



Ref.No.	Parts No.	Description	Parts Component	Remark	Order Qty
1	9S1VP0034	O RING P-34	8		
2	1G20006KB	VALVE STOPPER	4		
3	1G20007VB	BALL	4		
4	1G20009KM	VALVE SEAT	4		
6	1G20010VB	DIAPHRAGM	2		
7	1H20026TM	CENTER DISK	2		
8	9W1211400	WASHER M14	2		
9	1G20013KM	OUT CHAMBER	2		
13	1G30018MM	TIE ROD	4		
14	9B1220895	BOLT M8 × 95	12		
15	1G10003MK	BODY ASSEMBLY	1		
15-1	1G30019MB	BODY	1	The parts of #15 are available with a set as [1G10003MK: BODY ASSEMBLY]. This is also available individually.	
15-2	1H30018MM	THROAT BEARING	2		
15-3	9S2BA0018	PACKING	2		
15-4	9S1BJ2023	O RING JASO-2023	2		
15-5	1H30019MM	PILOT VALVE SEAT	2		
15-6	9S1BP0011	O RING P-11	2		
15-7	1H10009MK	PILOT VALVE ASSEMBLY	2		
15-8	1H30020MM	SPRING	2		
15-9	1H30021MB	SPRING SEAT	2		
15-10	9T7225016	SCREW M5 × 16	13		
15-11	9S1BG0035	O RING G-35	1		
15-12	1H30022MP	BUSHING	1		
16	1G20014MM	CENTER ROD	1		
18	1H30016MB	CUSHION	2		
19	1G20015KN	MANIFOLD	2		
20	1H10004MN	MAIN VALVE ASSEMBLY	1		
20-1	1H30028MM	RESET BUTTON	1	The parts of #20 are available with a set as [1H10004MN: MAIN VALVE ASSEMBLY]. This is also available individually.	
20-2	9S1BP0005	O RING P-5	1		
20-3	1H30029MB	CAP A	1		
20-4	9S1BP0045	O RING P-45	2		
20-5	1H30032MB	PACKING	1		
20-6	1H10002MK	C SPOOL ASSEMBLY (Looped C®)	1		
20-6-1	1H30023MM	SEAL RING	5	The parts of #20-6 are available with a set as [1H10002MK: C SPOOL ASSEMBLY (Looped C®)]. This is also available individually.	
20-7	1H10006MK	SLEEVE ASSEMBLY	1	The parts of #20 are available with a set as [1H10004MN: MAIN VALVE ASSEMBLY]. This is also available individually.	
20-7-1	9S1BJ2030	O RING JASO-2030	6	The parts of #20-7 are available with a set as [1H10006MK: SLEEVE ASSEMBLY]. This is also available individually.	
20-8	1H10007MN	VALVE BODY ASSEMBLY	1	The parts of #20 are available with a set as [1H10004MN: MAIN VALVE ASSEMBLY]. This is also available individually.	
20-9	1H30030MB	CUSHION	1		
20-10	1H30031MB	CAP B	1		
21	9B1290800	BOLT M8 × 130	4		
22	1G90001MN	BALL VALVE	1		
24	1H30017MB	VALVE BODY GASKET	1		
25	1H90003MK	SILENCER	1		
26	9B1210830	BOLT M8 × 30	4		
28	1G30022PB	BASE	2		
29	1H30055MB	RUBBER FEET	4		
30	1G20017KM	CENTER DISK	2		
32	9N2210800	NUT M8	8		

■ Parts List

TC-X202VV-NPT

1G00072MN

Ref.No.	Parts No.	Description	Parts Component	Remark	Order Qty
33	9W1210800	PLAIN WASHER M8	32		
36	9N1610800	NUT M8	20		

memo