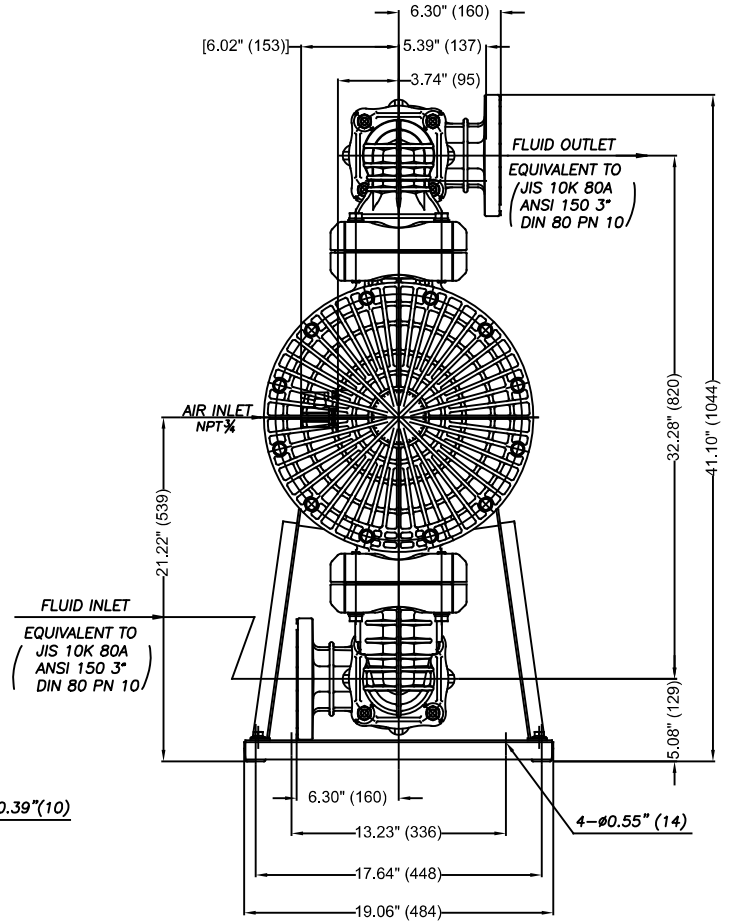
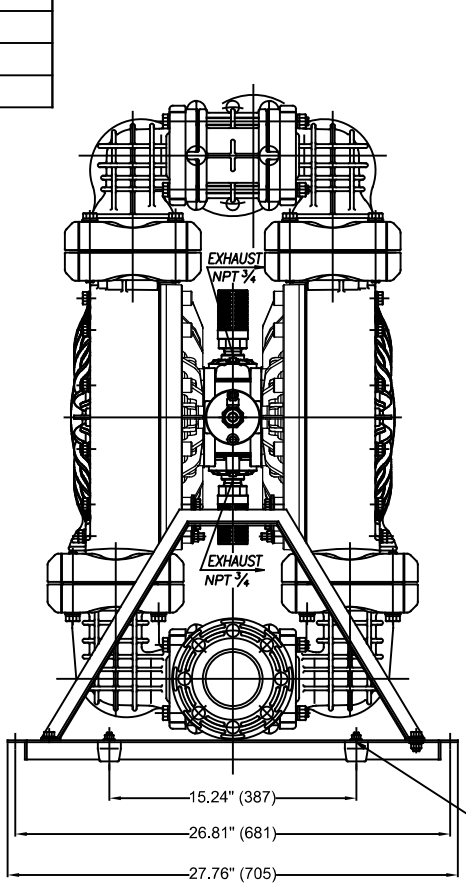




Materials of Construction

PUMP BODY MATERIAL	PPG
DIAPHRAGM MATERIAL	C=CR
	N=NBR
	T=PTFE
	H=TPEE
	S=TPD
	V=FKM
	E=EPDM

REVISIONS			
REV	DESCRIPTION	DATE	APPROVED
A	RELEASED	01/15/2026	JP



NOTES:
1. SOME FEATURES MAY VARY SLIGHTLY.

<p>PROPRIETARY</p> <p>THIS DRAWING CONTAINS CONFIDENTIAL INFORMATION PROPRIETARY TO IWAKI AMERICA. IT MUST NOT BE REPRODUCED OR FORWARDED TO OTHERS OR USED IN ANY OTHER WAY, IN WHOLE OR IN PART, UNLESS AUTHORIZED IN WRITING BY IWAKI AMERICA.</p>		<p>TOLERANCES</p> <p>DIMENSIONS IN INCHES UNLESS OTHERWISE NOTED</p> <p>X = .050 XX = .010 .XXX = .00</p> <p>REBURR AND BREAK ALL SHARP EDGES</p>		 <p>www.IwakiAir.com</p>		
		<p>MATERIAL: SEE CHART</p>				
<p>BY: BA</p>	<p>DATE: 01/15/2026</p>	<p>SIZE: B</p>	<p>DWG NO.: TC-X00212</p>	<p>DESCRIPTION: TC-X800G_A-M</p>		<p>REV: A</p>
<p>APPROVED: JP</p>	<p>DATE: 01/15/2026</p>	<p>SCALE: FULL</p>		 <p>THIRD ANGLE PROJECTION</p>	<p>SHEET: 1 OF 1</p>	

5 Boynton Rd.
Hopping Brook Park
Holliston, MA 01746
(508) 429-1440

4

3

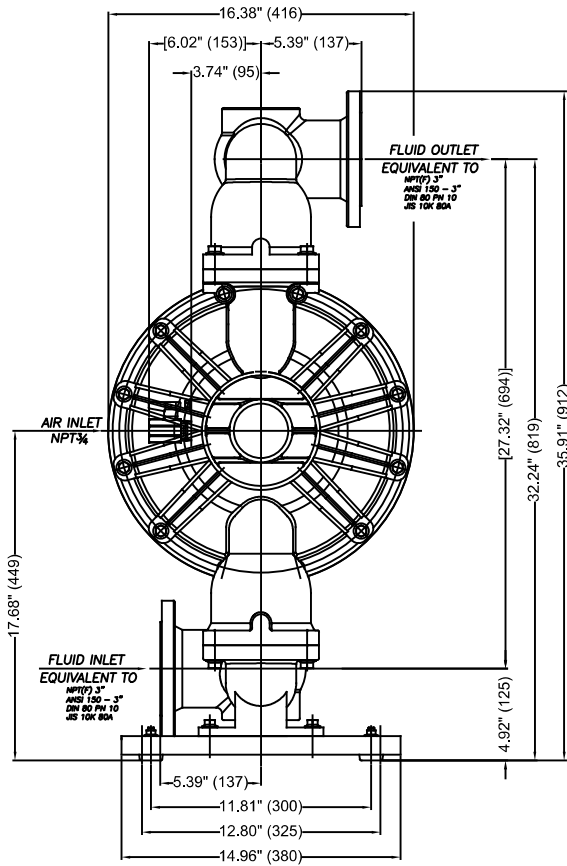
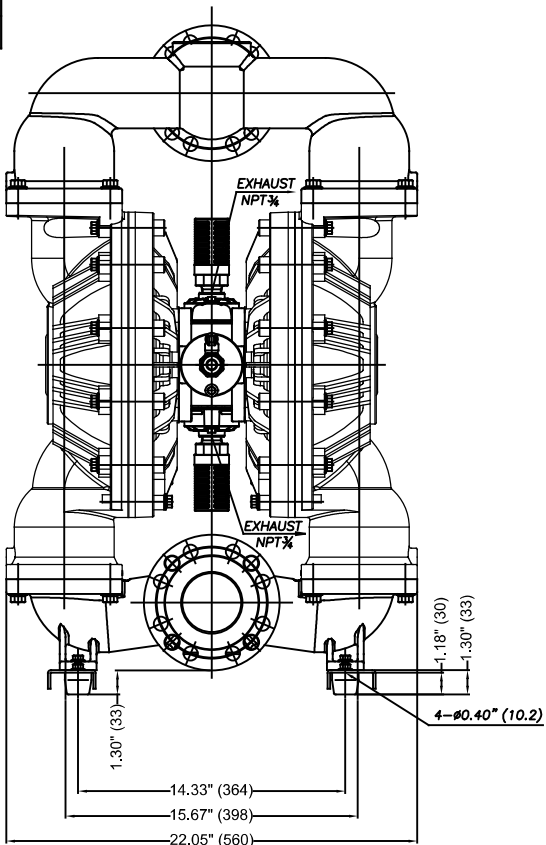
2

1


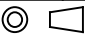
REVISIONS

REV	DESCRIPTION	DATE	APPROVED
A	RELEASED	01/15/2026	JP

Materials of Construction	
PUMP BODY MATERIAL	AL
DIAPHRAGM MATERIAL	C=CR
	N=NBR
	T=PTFE
	H=TPEE
	S=TPD
	V=FKM
	E=EPDM



NOTES:
1. SOME FEATURES MAY VARY SLIGHTLY.

PROPRIETARY THIS DRAWING CONTAINS CONFIDENTIAL INFORMATION PROPRIETARY TO IWAKI AMERICA. IT MUST NOT BE REPRODUCED OR FORWARDED TO OTHERS OR USED IN ANY OTHER WAY, IN WHOLE OR IN PART, UNLESS AUTHORIZED IN WRITING BY IWAKI AMERICA.		TOLERANCES DIMENSIONS IN INCHES UNLESS OTHERWISE NOTED X = .050 .XX = .010 .XXX = .005 REBURR AND BREAK ALL SHARP EDGES		 www.IwakiAir.com		5 Boynton Rd. Hopping Brook Park Holliston, MA 01746 (508) 429-1440	
MATERIAL SEE CHART				BY BA		DATE 01/15/2026	
SIZE B		DWG NO. TC-X00211		DESCRIPTION TC-X800A/F/S_A-M		REV A	
APPROVED JP		DATE 01/15/2026		SCALE: FULL		 THIRD ANGLE PROJECTION SHEET: 1 OF 1	

4

3

2

1