

4

3

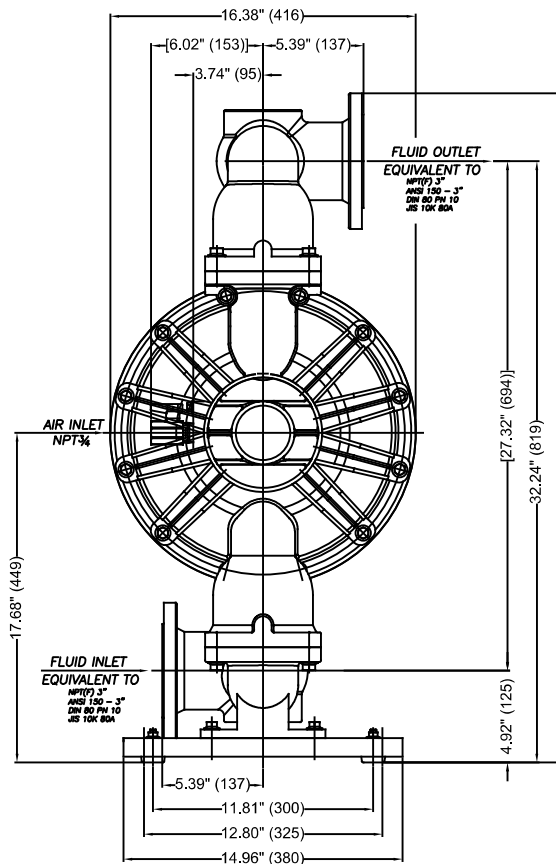
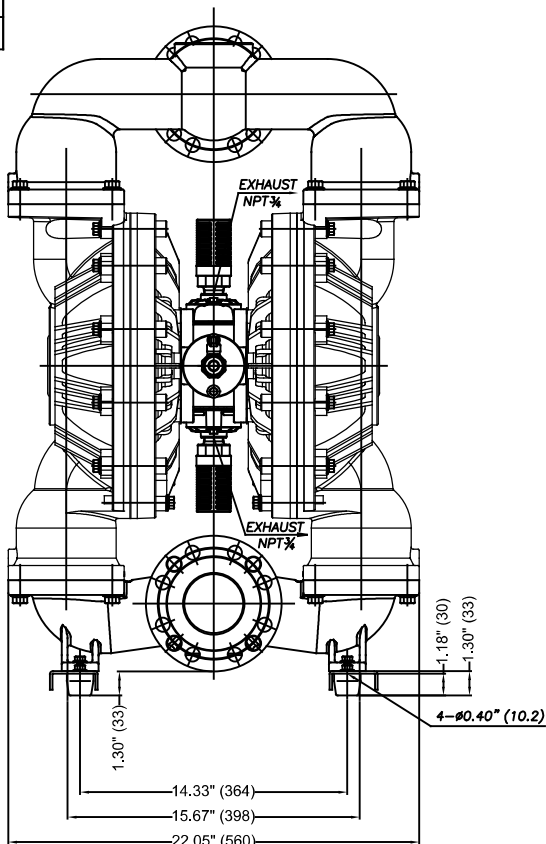
2

1


REVISIONS

REV	DESCRIPTION	DATE	APPROVED
A	RELEASED	01/15/2026	JP

Materials of Construction	
PUMP BODY MATERIAL	AL
DIAPHRAGM MATERIAL	C=CR
	N=NBR
	T=PTFE
	H=TPEE
	S=TPD
	V=FKM
	E=EPDM



NOTES:  
1. SOME FEATURES MAY VARY SLIGHTLY.

<b>PROPRIETARY</b> THIS DRAWING CONTAINS CONFIDENTIAL INFORMATION PROPRIETARY TO IWAKI AMERICA. IT MUST NOT BE REPRODUCED OR FORWARDED TO OTHERS OR USED IN ANY OTHER WAY, IN WHOLE OR IN PART, UNLESS AUTHORIZED IN WRITING BY IWAKI AMERICA.		<b>TOLERANCES</b> DIMENSIONS IN INCHES UNLESS OTHERWISE NOTED X = .050 .XX = .010 .XXX = .005 REBURR AND BREAK ALL SHARP EDGES		 <a href="http://www.IwakiAir.com">www.IwakiAir.com</a>		5 Boynton Rd. Hopping Brook Park Holliston, MA 01746 (508) 429-1440	
MATERIAL SEE CHART				SIZE B	DWG NO. TC-X00211	DESCRIPTION TC-X800A/F/S_A-M	REV A
BY BA	DATE 01/15/2026	SCALE: FULL	THIRD ANGLE PROJECTION	SHEET: 1 OF 1			

4

3

2

1

4

3

2

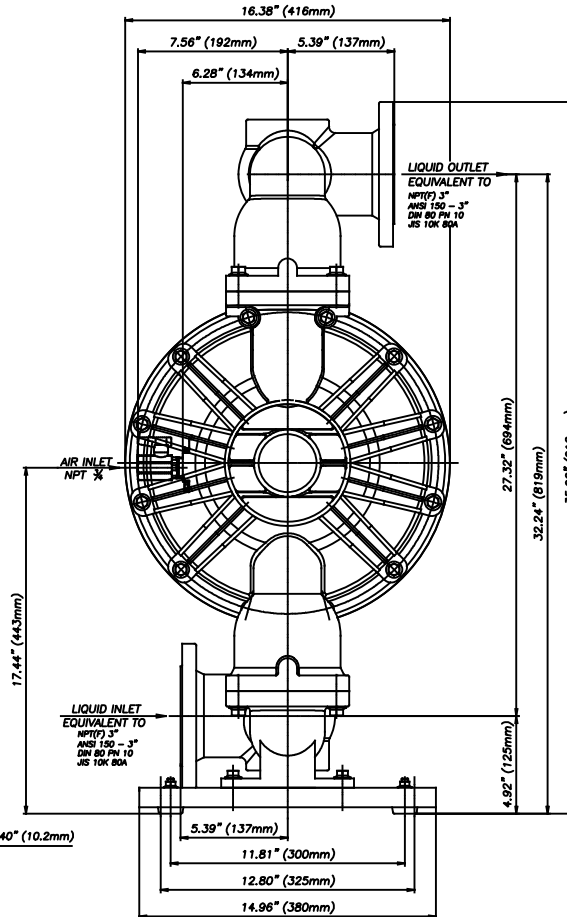
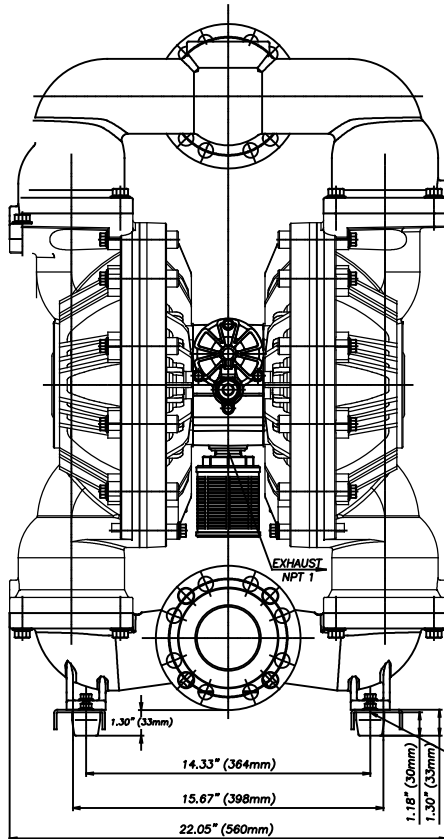
1

### Materials of Construction



PUMP BODY MATERIAL	A=AL
	F=Cast Iron
	S=SUS
DIAPHRAGM MATERIAL	C=CR
	N=NBR
	T=PTFE
	H=TPEE
	S=TPO
	V=FKM
E=EPDM	

### REVISIONS

REV	DESCRIPTION	DATE	APPROVED
A	RELEASED	01/15/2026	JP



NOTES:  
1. SOME FEATURES MAY VARY SLIGHTLY.

<b>PROPRIETARY</b> THIS DRAWING CONTAINS CONFIDENTIAL INFORMATION PROPRIETARY TO IWAKI AMERICA. IT MUST NOT BE REPRODUCED OR FORWARDED TO OTHERS OR USED IN ANY OTHER WAY, IN WHOLE OR IN PART, UNLESS AUTHORIZED IN WRITING BY IWAKI AMERICA.		<b>TOLERANCES</b> DIMENSIONS IN INCHES (MM)		 www.IwakiAir.com	5 Boynton Rd. Hopping Brook Park Holliston, MA 01746 (508) 429-1440
		UNLESS OTHERWISE NOTED X = .050 .XX = .010 .XXX = .00			
<b>MATERIAL</b> SEE CHART					
<b>BY</b> BA	<b>DATE</b> 01/15/2026	<b>SIZE</b> B	<b>DWG NO.</b> TC-X00213	<b>DESCRIPTION</b> TC-X800A/F/S_A	<b>REV</b> A
<b>APPROVED</b> JP	<b>DATE</b> 01/15/2026	<b>SCALE:</b> FULL		 <b>THIRD ANGLE PROJECTION</b>	<b>SHEET:</b> 1 OF 1

4

3

2

1

4

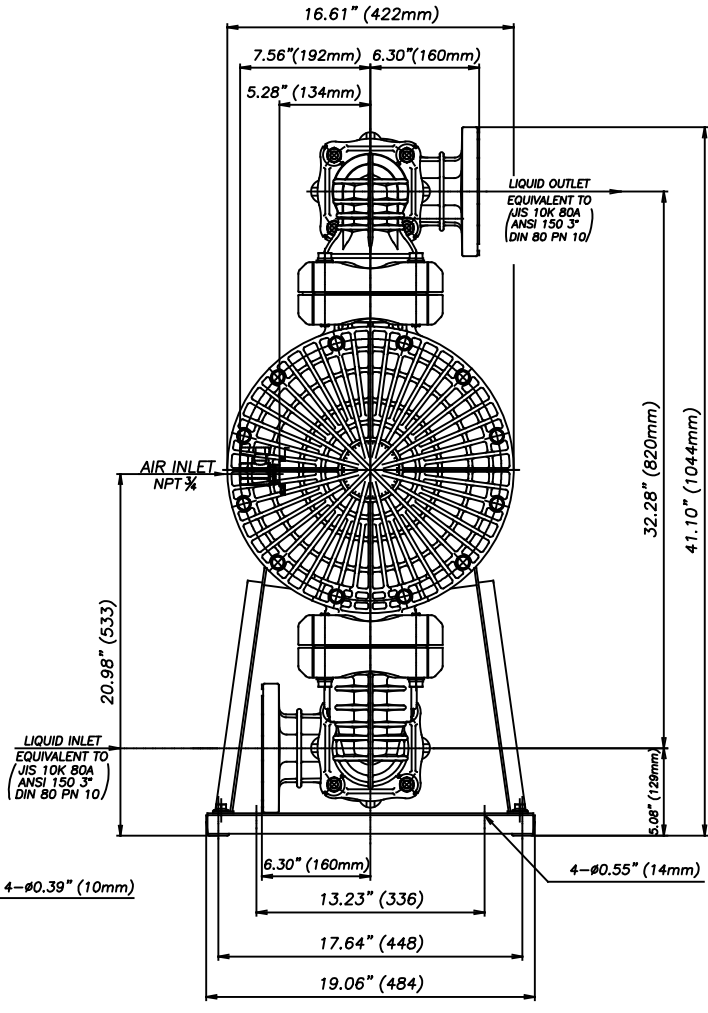
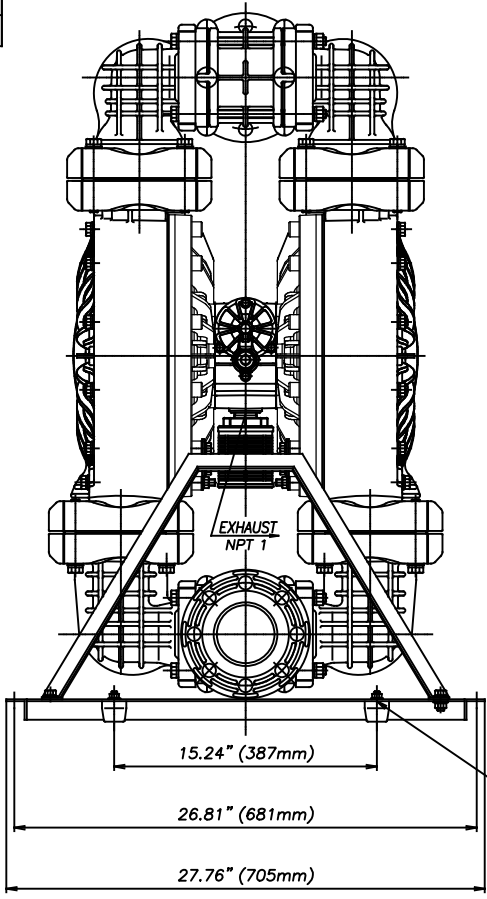
3

2

1

Materials of Construction	
PUMP BODY MATERIAL	PPG
DIAPHRAGM MATERIAL	C=CR
	N=NBR
	T=PTFE
	H=TPEE
	S=TPO
	V=FKM
	E=EPDM

REVISIONS			
REV	DESCRIPTION	DATE	APPROVED
A	RELEASED	01/15/2026	JP



NOTES:  
1. SOME FEATURES MAY VARY SLIGHTLY.

<p><b>PROPRIETARY</b></p> <p>THIS DRAWING CONTAINS CONFIDENTIAL INFORMATION PROPRIETARY TO IWAKI AMERICA. IT MUST NOT BE REPRODUCED OR FORWARDED TO OTHERS OR USED IN ANY OTHER WAY, IN WHOLE OR IN PART, UNLESS AUTHORIZED IN WRITING BY IWAKI AMERICA.</p>		<p><b>TOLERANCES</b></p> <p>DIMENSIONS IN INCHES (MM)</p> <p>UNLESS OTHERWISE NOTED</p> <p>X = .050</p> <p>.XX = .010</p> <p>.XXX = .00</p> <p>DEBURR AND BREAK ALL SHARP EDGES</p>		<p>www.IwakiAir.com</p>		<p>5 Boynton Rd. Hopping Brook Park Holliston, MA 01746 (508) 429-1440</p>	
MATERIAL				SEE CHART			
BY	DATE	SIZE	DWG NO.	DESCRIPTION		REV	
BA	01/15/2026	B	TC-X00214	TC-X800G_A		A	
APPROVED	DATE	SCALE: FULL		THIRD ANGLE PROJECTION	SHEET: 1 OF 1		
JP	01/15/2026						

4

3

2

1