

Exploded View Drawing and Parts List

Model: **TC-X152PE-PP-NPT**

Model Number: **8E00024MN**

Serial Number:

Service Code:

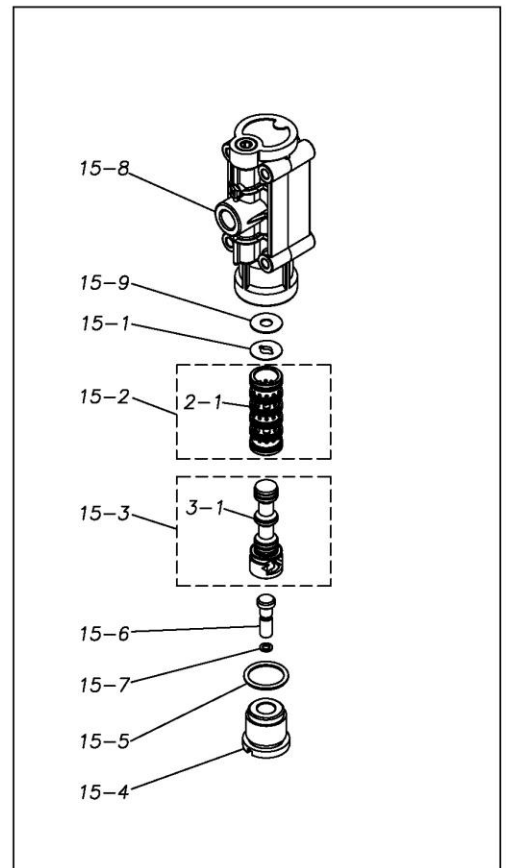
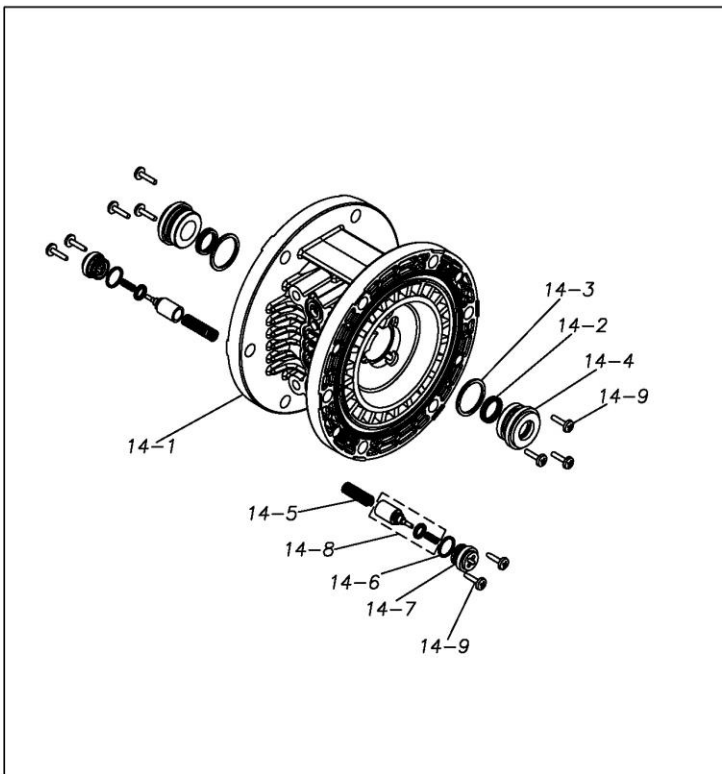
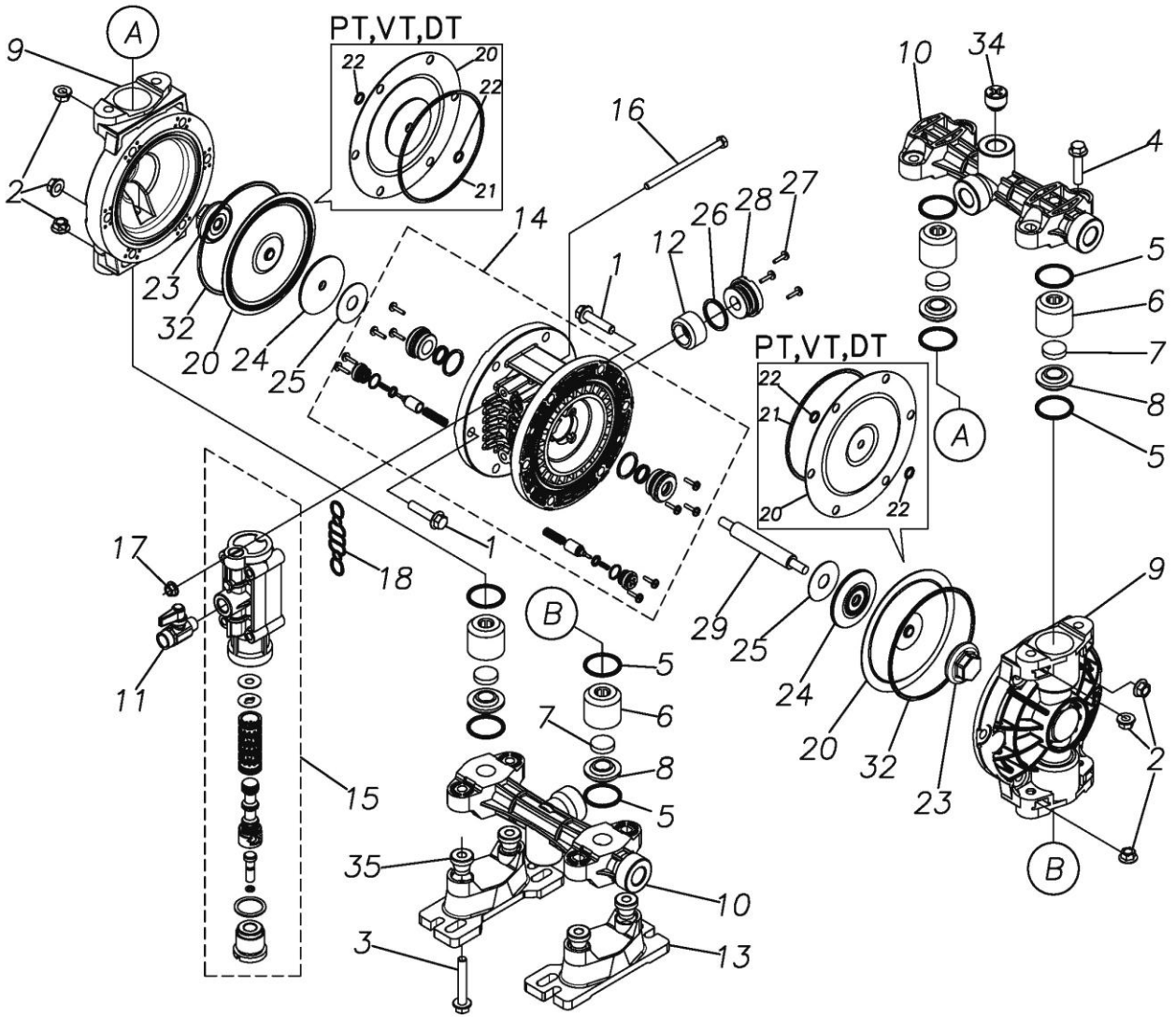
The part list and exploded view drawing as attached below indicate the full list of parts for the above mentioned pump model.

When ordering parts take care to select the correct model pump and required parts. Also be aware that models may change over time as improvements are made so cross-referencing the pumps serial number assembly date and service code are also recommended.

If you require specific spare parts you can also use this form to place your order.

For more information specific to your pump please refer to the pumps Service Book and Operation Manual available separately.

Please contact your Pump Distributor directly for more information.



Ref.No.	Parts No.	Description	Parts Component	Remark	Order Qty
1	9B2210845	BOLT M8 × 45	12		
2	9N2210800	NUT M8	20		
3	9B2210850	BOLT M8 × 50	4		
4	9B2210835	BOLT M8 × 35	4		
5	9S1EP0029	O RING P-29	8		
6	1E20013PB	VALVE STOPPER	4		
7	1E20020TM	FLAT VALVE	4		
8	1E20014PB	VALVE SEAT	4		
9	1E20016PB	OUT CHAMBER	2		
10	1E20017PN	MANIFOLD	2		
11	1E90002MN	BALL VALVE	1		
12	1E30033MB	SILENCER	1		
13	1E30059MB	BASE	2		
14	1E10001MK	BODY ASSEMBLY	1		
14-1	1E30014MB	BODY	1	The parts of #14 are available with a set as [1E10001MK: BODY ASSEMBLY]. This is also available individually.	
14-2	9S2BA0014	PACKING	2		
14-3	9S1BP0022	O RING P-22	2		
14-4	1E30019MM	THROAT BEARING	2		
14-5	1E30024MM	SPRING	2		
14-6	9S1B90000	O RING S-12.5	2		
14-7	1E30020MB	PILOT VALVE SEAT	2		
14-8	1E10003MK	PILOT VALVE ASSEMBLY	2		
14-9	9T7224014	SCREW M4 × 14	10		
15	1E10002MN	MAIN VALVE ASSEMBLY	1		
15-1	1E30025MB	CUSHION	1	The parts of #15 are available with a set as [1E10002MN: MAIN VALVE ASSEMBLY]. This is also available individually.	
15-2	1E10004MK	SLEEVE ASSEMBLY	1		
15-2-1	9S1BA0018	O RING AS568-018	6	The parts of #15-2 are available with a set as [1E10004MK: SLEEVE ASSEMBLY]. This is also available individually.	
15-3	1E10005MK	C SPOOL ASSEMBLY (Looped C®)	1	The parts of #15 are available with a set as [1E10002MN: MAIN VALVE ASSEMBLY]. This is also available individually.	
15-3-1	1E30031MM	SEAL RING	5	The parts of #15-3 are available with a set as [1E10005MK: C SPOOL ASSEMBLY (Looped C®)]. This is also available individually.	
15-4	1E30026MM	CAP	1	The parts of #15 are available with a set as [1E10002MN: MAIN VALVE ASSEMBLY]. This is also available individually.	
15-5	9S1BP0024	O RING P-24	1		
15-6	1E30027MM	RESET BUTTON	1		
15-7	9S1BP0005	O RING P-5	1		
15-8	1E10006MN	VALVE BODY ASSEMBLY	1		
15-9	1E30040MM	CUSHION SUPPORT	1		
16	9B1290600	BOLT M6 × 100 × 30	4		
17	9N2210600	NUT M6	4		
18	1E30017MB	VALVE BODY GASKET	1		
20	1E20028BB	DIAPHRAGM	2		
23	1E20034PB	CENTER DISK	2		
24	1E30022MB	CENTER DISK	2		
25	1E30023MB	CUSHION	2		
26	9S1BP0026	O RING P-26	1		
27	9T7224014	SCREW M4 × 14	3		
28	1E30021MP	BUSHING	1		
29	1E20008MM	CENTER ROD	1		
32	9S1EG0110	O RING G-110	2		

Ref.No.	Parts No.	Description	Parts Component	Remark	Order Qty
33	1H90001MB	SEAL TAPE	1		
34	1E20015PN	PLUG	4		
35	1H30058MB	SPACER	4		

memo